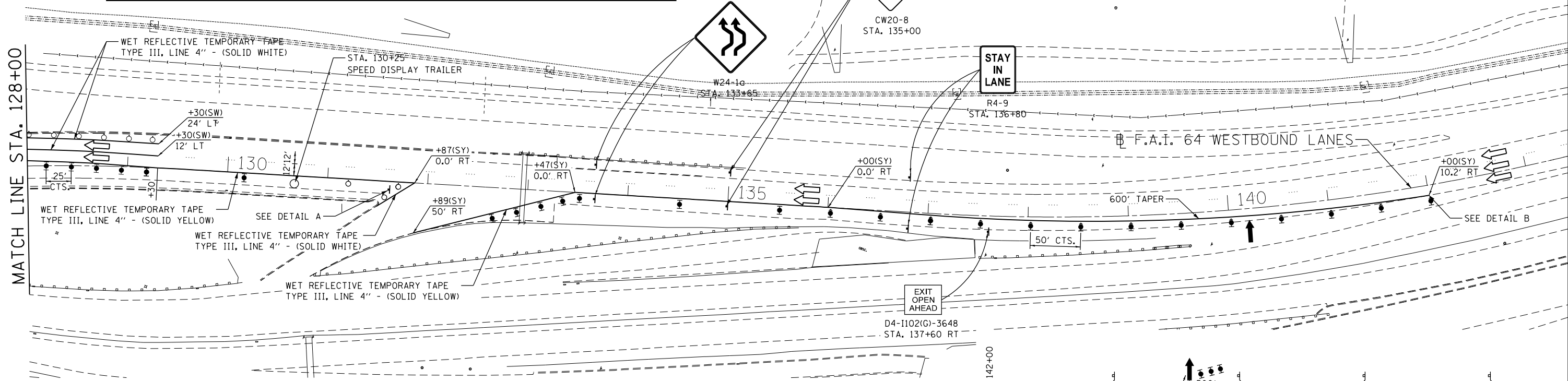
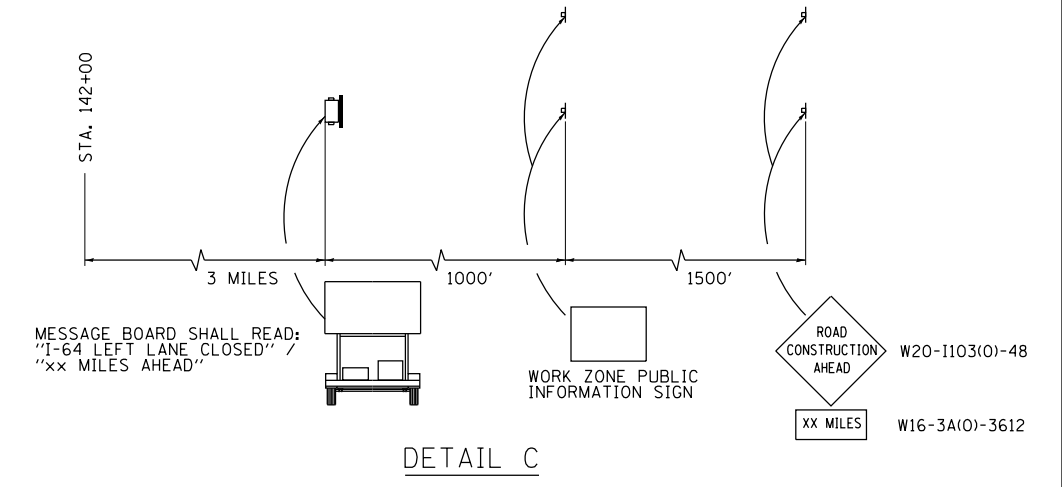
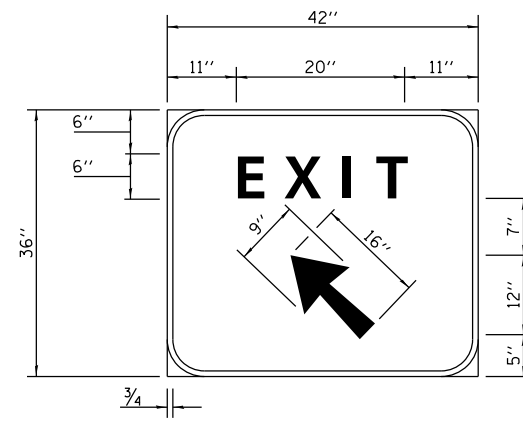
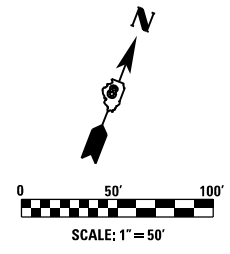


INSTALL SIGNAGE PER
DETAIL C ON I-64 AND
I-55/70 AS DIRECTED
BY THE ENGINEER



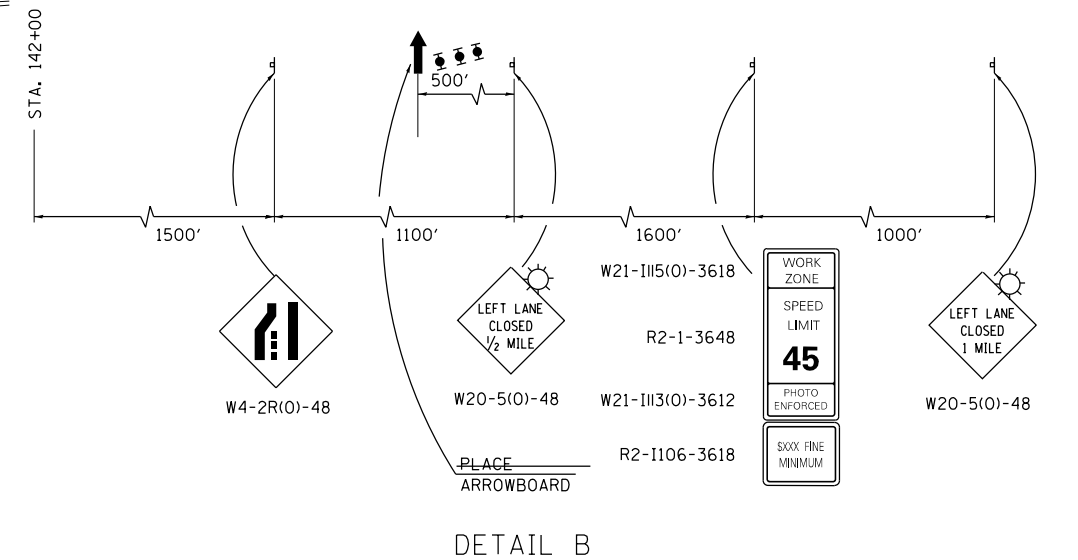
LEGEND

- WORK ZONE
- IMPACT ATTENUATORS, TEMPORARY (FULLY REDIRECTIVE, NARROW), TEST LEVEL 3
- TEMPORARY CONCRETE BARRIER
- SIGN
- DIRECTION INDICATOR BARRICADE WITH STEADY BURN MONODIRECTIONAL LIGHT
- TYPE II BARRICADE OR DRUM WITH STEADY BURN MONODIRECTIONAL LIGHT
- DRUM WITH STEADY BURNING MONODIRECTIONAL LIGHT
- ARROWBOARD



BACKGROUND - GREEN
BORDER AND LEGEND - WHITE
"D" SIZE LETTERS
ALL DIMENSIONS SHOWN ARE IN INCHES
EXIT SIGN - SPECIAL
STA. 131+60 RT

DETAIL A



DETAIL B

FILE NAME = G:\115\110223\Work_Drwnr_3_M0_Ave_R12\ACADD_Shts\110223\110223\110223.dgn

LE LIN ENGINEERING, LTD.
Consulting Engineers
Springfield, Illinois

USER NAME = seb	DESIGNED - SEL	REVISED -
PLOT SCALE = 100.0000' / 1"	DRAWN - SEL	REVISED -
PLOT DATE = 8/23/2014	CHECKED - SGL	REVISED -
	DATE - 7/1/2014	REVISED -

**STATE OF ILLINOIS
DEPARTMENT OF TRANSPORTATION**

TRAFFIC CONTROL AND PROTECTION PLAN			
MISSOURI AVENUE DEEP WELL FACILITY			
SCALE: 1" = 50'	SHEET 2 OF 3 SHEETS	STA. 128+00 TO STA. 143+00	

F.A.I. RTE. 64	SECTION 82-4T-1	COUNTY ST. CLAIR	TOTAL SHEETS 185	SHEET NO. 24
CONTRACT NO. 76C99				
ILLINOIS FED. AID PROJECT				