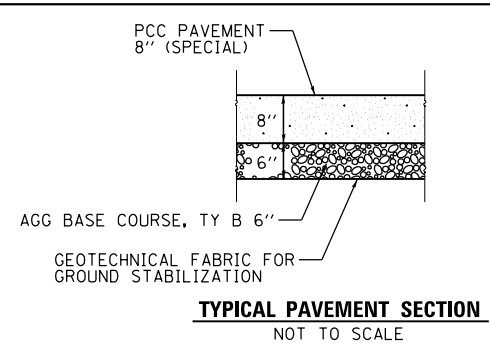
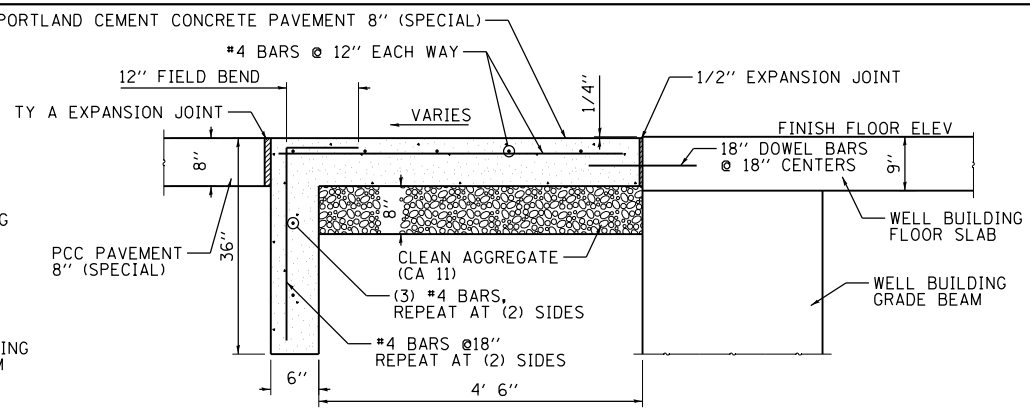
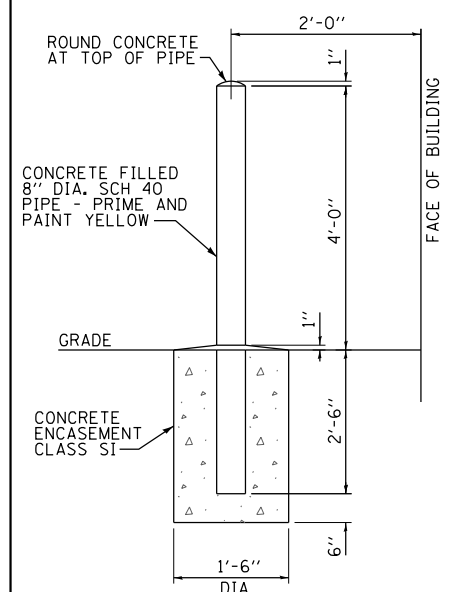


**CONCRETE STOOP SECTION - SIDEWALK**  
NOT TO SCALE

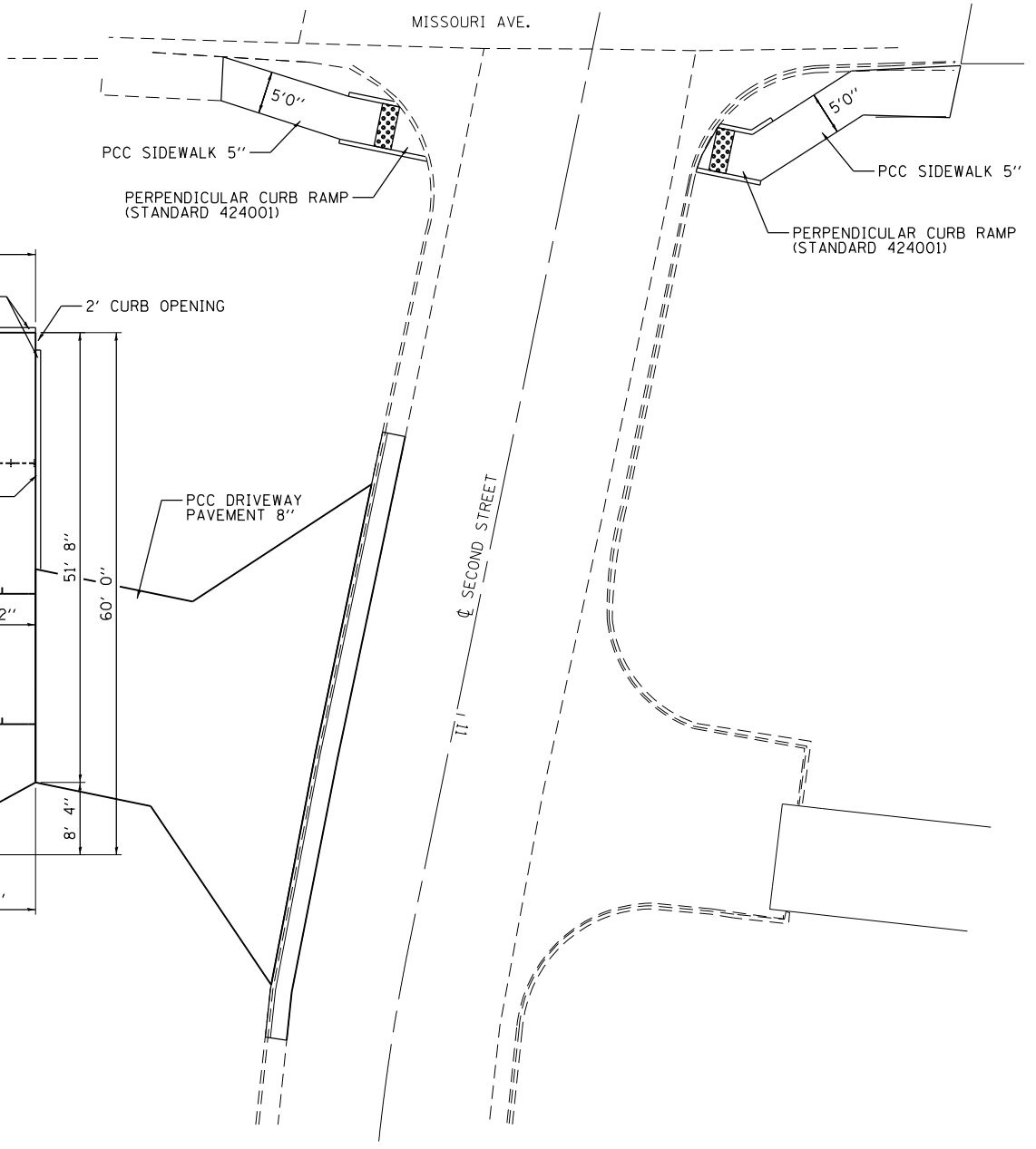
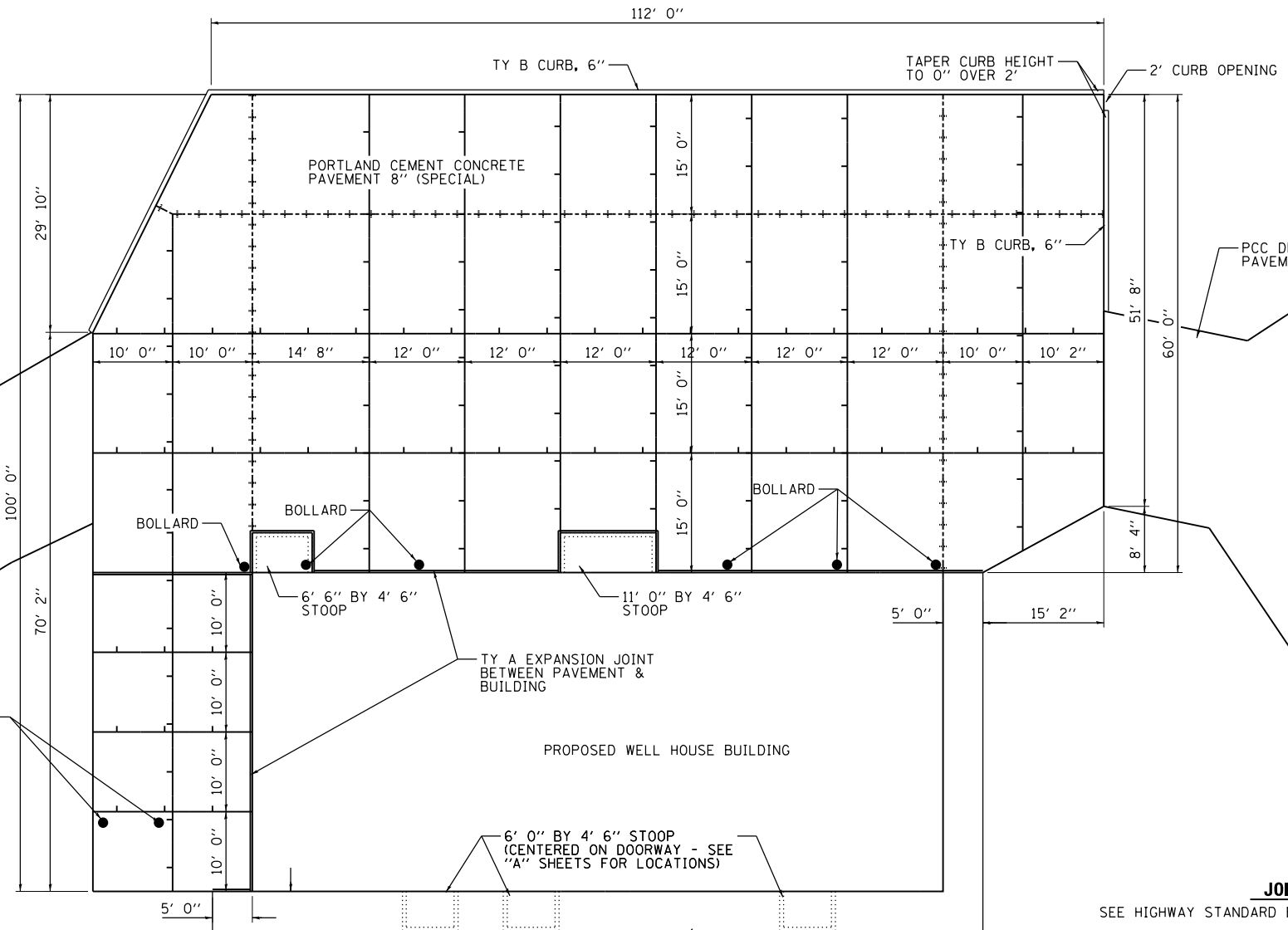


**TYPICAL PAVEMENT SECTION**  
NOT TO SCALE

NOTE:  
THE COST OF ADDITIONAL CONCRETE, REINFORCEMENT, AGGREGATE, EXCAVATION, AND FILL WILL BE INCLUDED IN THE RESPECTIVE PAY ITEM FOR "PORTLAND CEMENT CONCRETE PAVEMENT 8\"/>

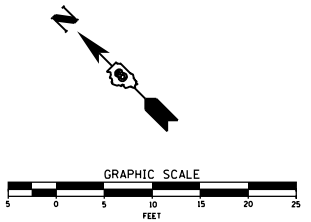


**BOLLARD DETAIL**  
NOT TO SCALE



**JOINT LEGEND**  
SEE HIGHWAY STANDARD B.L.R. 10-6 FOR ADDITIONAL DETAILS

- TYPE A EXPANSION JOINT
- TYPE C TRANSVERSE JOINT
- TYPE E LONGITUDINAL JOINT



FILE NAME = G:\115\1150223\Work\_Drwnr\_3\_M0\_Ave\_Pkg2\CADD\_Sheets\0876699-ahc-park.mxd

**KLINGNER & ASSOCIATES, P.C.**  
Engineers • Architects • Surveyors

USER NAME = seb  
PLOT SCALE = 20.0000' / in.  
PLOT DATE = 8/23/2014

DESIGNED - SEB  
DRAWN - SEB  
CHECKED -  
DATE -

REVISED -  
REVISED -  
REVISED -  
REVISED -

**STATE OF ILLINOIS  
DEPARTMENT OF TRANSPORTATION**

**PARKING LOT PAVEMENT JOINT PLAN  
MISSOURI AVENUE DEEP WELL FACILITY**  
SCALE: 1"=10'  
SHEET 1 OF 1 SHEETS STA. TO STA.

F.A.I. RTE.	SECTION	COUNTY	TOTAL SHEETS	SHEET NO.
64	82-4T-1	ST. CLAIR	185	41
CONTRACT NO. 76C99				
ILLINOIS FED. AID PROJECT				