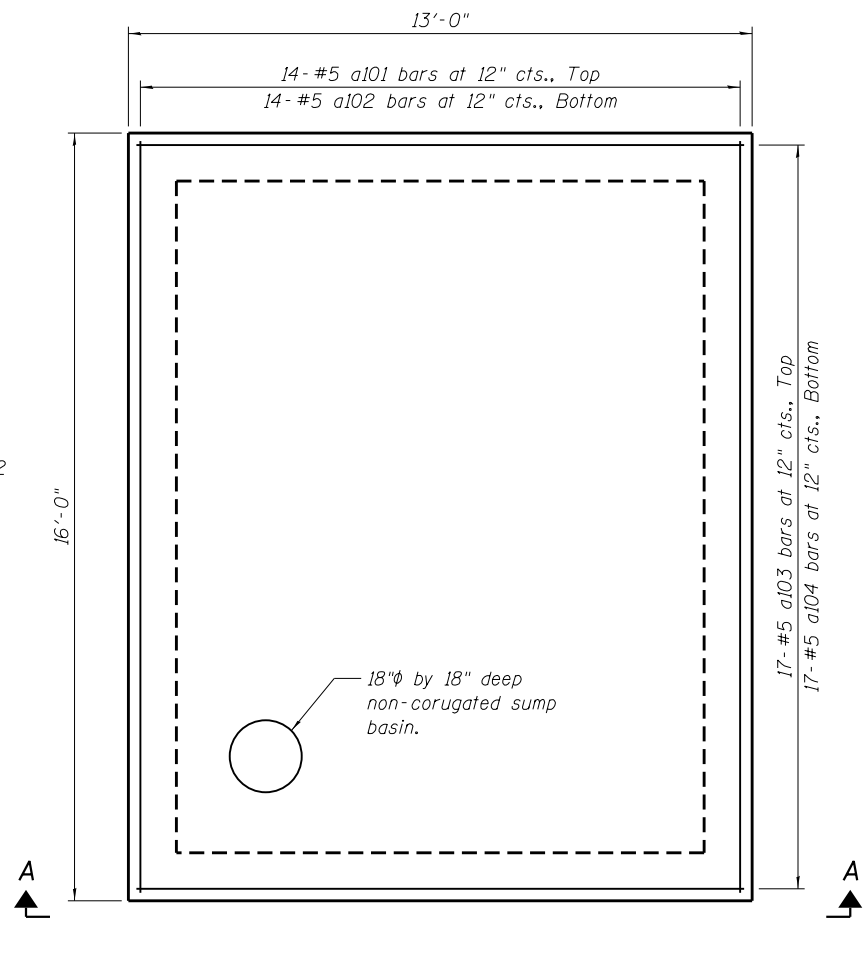
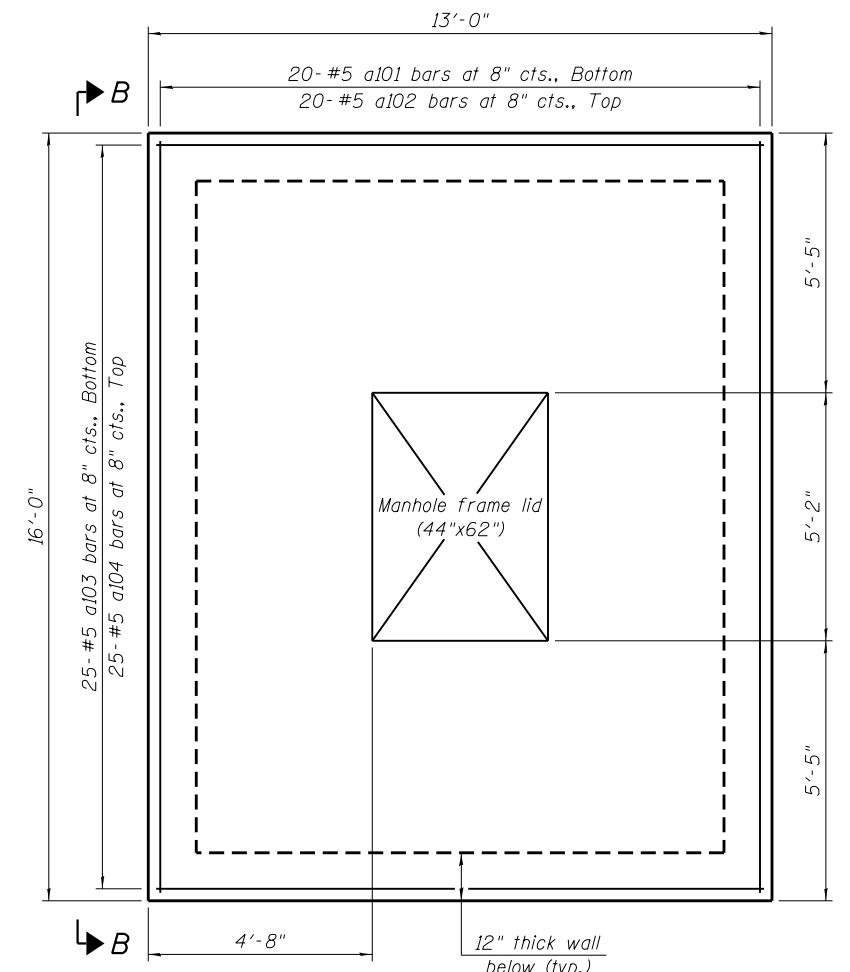


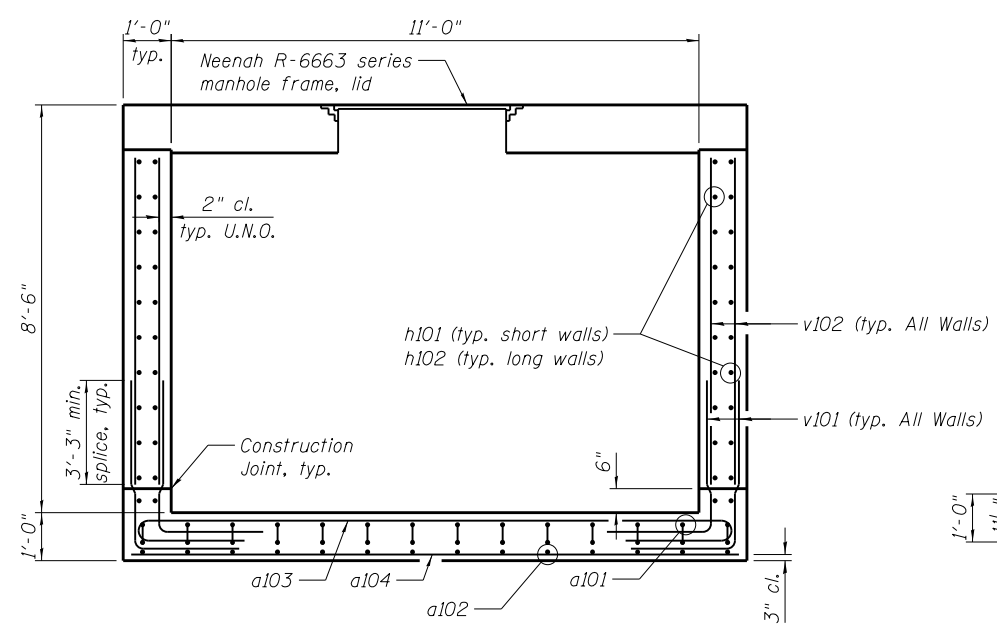
PLAN VIEW SHOWING WALL REINFORCEMENT



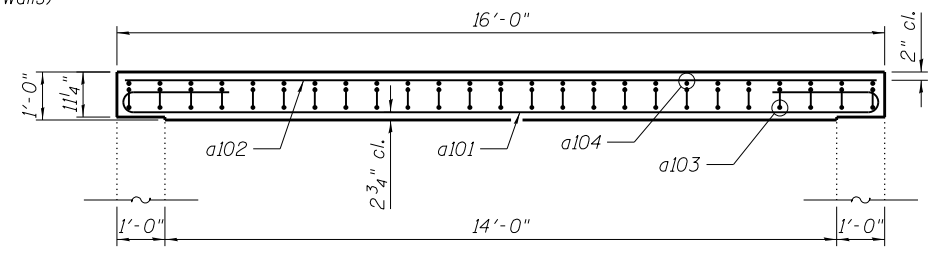
PLAN VIEW SHOWING FOOTING REINFORCEMENT



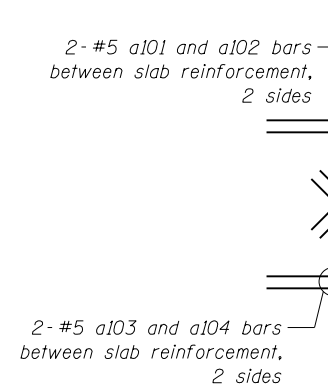
PLAN VIEW SHOWING TOP SLAB REINFORCEMENT



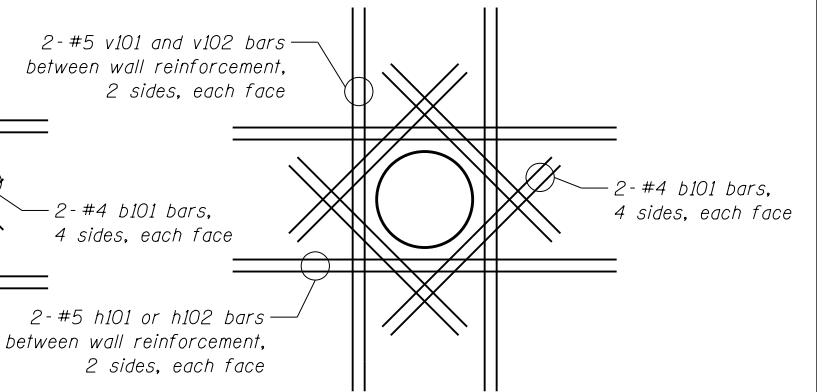
SECTION A-A



SECTION B-B



TYPICAL ADDITIONAL REINFORCEMENT AROUND MANHOLE FRAME LID



TYPICAL ADDITIONAL REINFORCEMENT AROUND PIPE PENETRATIONS

NOTES:
 All reinforcement to have 2" clear cover unless noted otherwise.
 Cost of sump pits included with Concrete Structures.
 $f'_c = 3,500$ psi
 $f_y = 60,000$ psi (Reinforcement)
 U.N.O. - Unless Noted Otherwise

FILE NAME = C:\Users\seb\K\ENGINEER\Downloads\1188-3.dgn