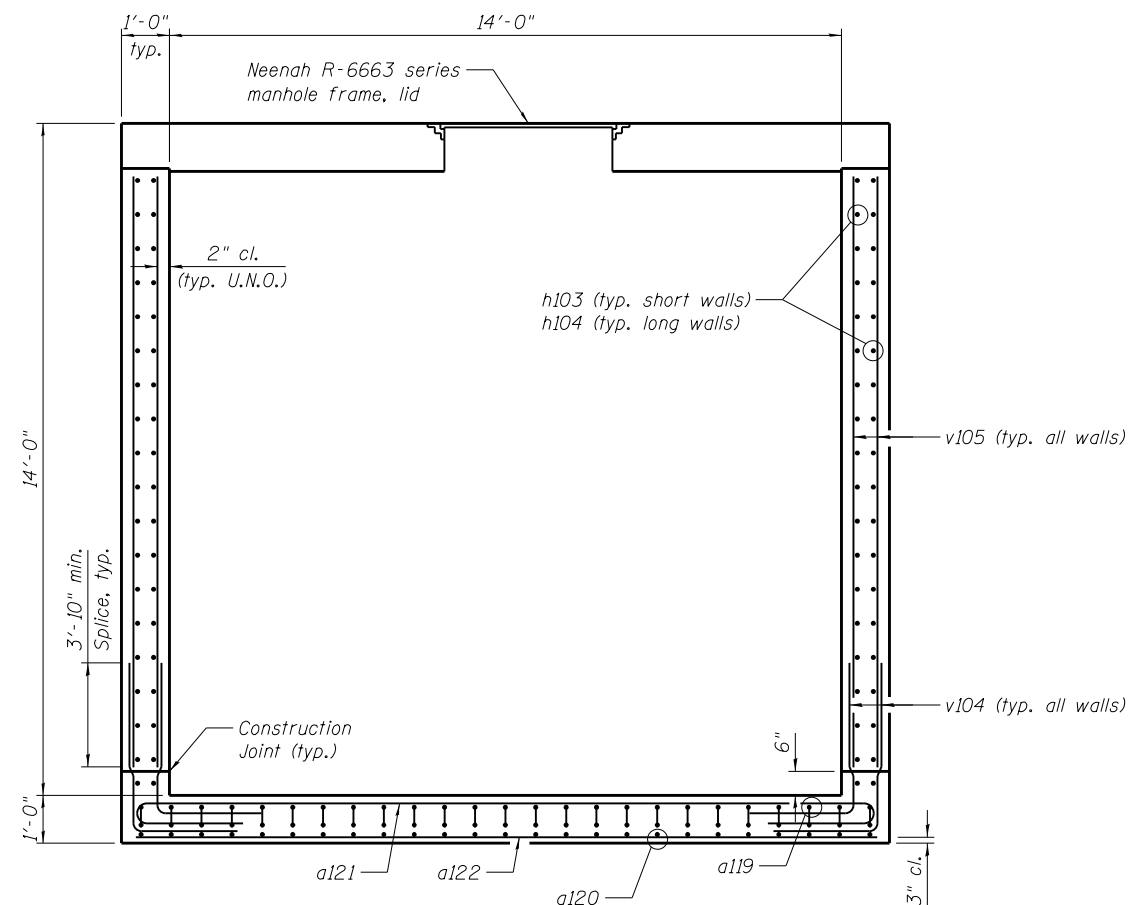
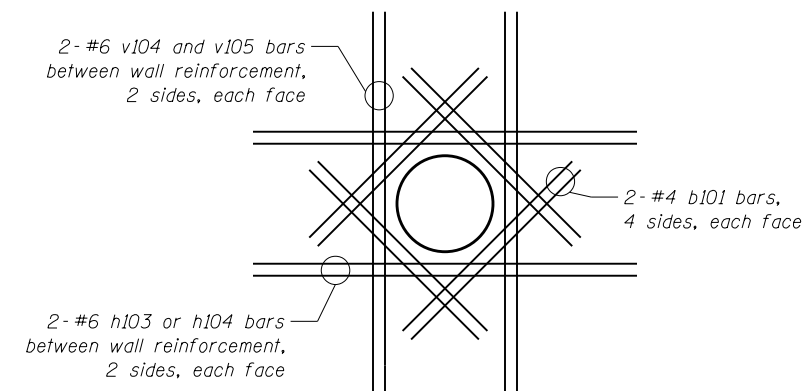


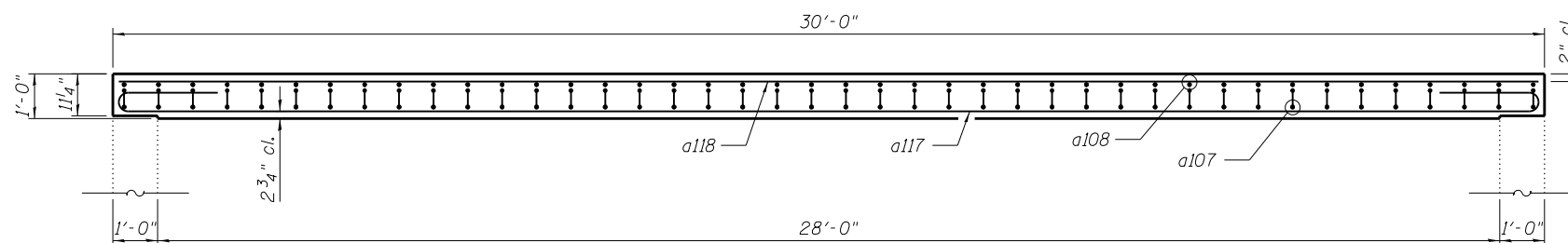
**TYPICAL ADDITIONAL REINFORCEMENT AROUND MANHOLE FRAME LID**



**SECTION A-A**



**TYPICAL ADDITIONAL REINFORCEMENT AROUND PIPE PENETRATIONS**



**SECTION B-B**

**NOTES:**

All reinforcement to have 2" clear cover unless noted otherwise.  
Cost of sump pits included with Concrete Structures.

$f'_c = 3,500$  psi

$f_y = 60,000$  psi (Reinforcement)

U.N.O. - Unless Noted Otherwise

FILE NAME = C:\Users\seeb\OneDrive\Documents\1188-3.dgn

USER NAME = seeb	DESIGNED - RGB	REVISED -
	DRAWN - AJF	REVISED -
PLOT SCALE = 0:2.0000 '1' / in.	CHECKED - LMS	REVISED -
PLOT DATE = 9/23/2014	DATE - 08/22/2014	REVISED -

F.A.I. RTE.	SECTION	COUNTY	TOTAL SHEETS	SHEET NO.
64	82-4T-1	ST. CLAIR	185	46
CONTRACT NO. 76C99				
ILLINOIS FED. AID PROJECT				