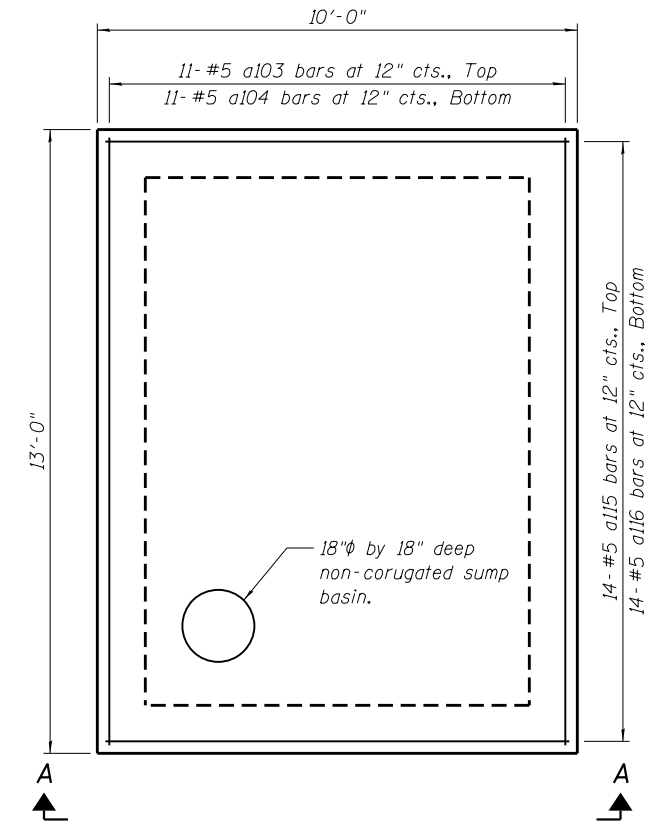
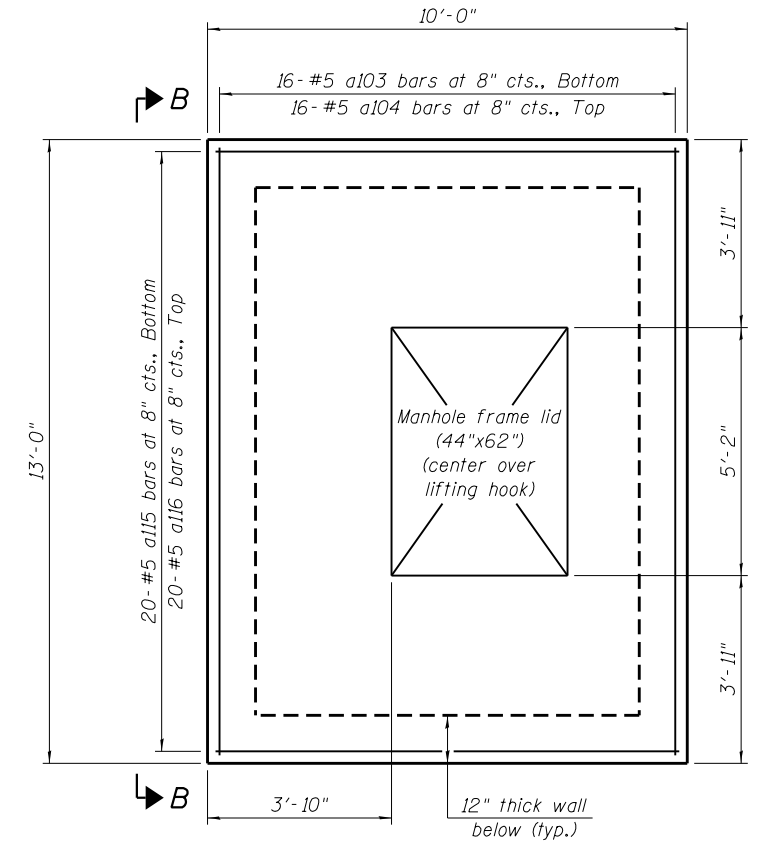


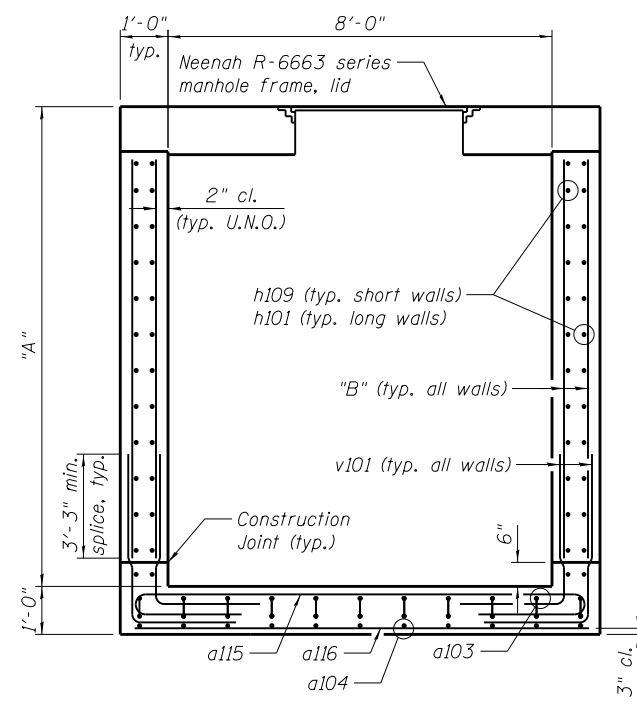
PLAN VIEW SHOWING WALL REINFORCEMENT



PLAN VIEW SHOWING FOOTING REINFORCEMENT



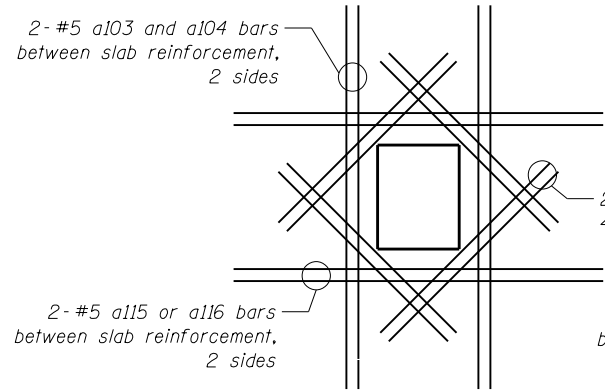
PLAN VIEW SHOWING TOP SLAB REINFORCEMENT



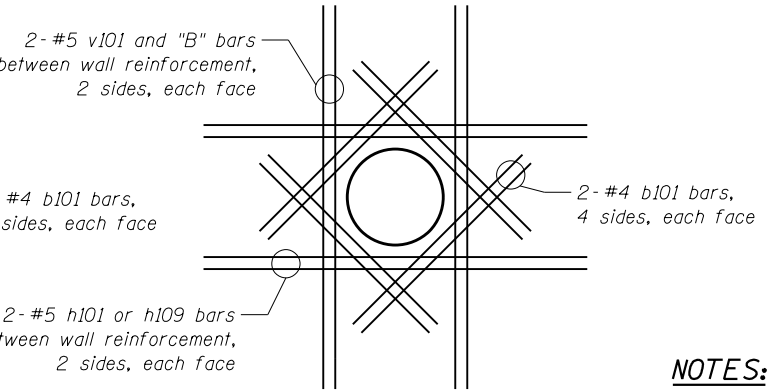
SECTION A-A

VARIABLES

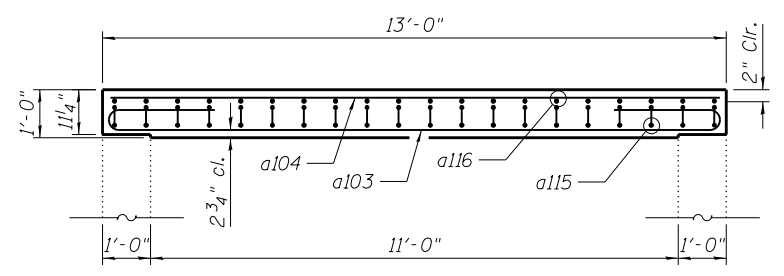
Vault	"A"	"B"	"C"
C6	12'-6"	v107	26
C8	10'-0"	v108	22
C9	7'-4 ³ / ₄ "	v109	16
C10	8'-8 ³ / ₈ "	v110	20
C11	13'-8 ³ / ₈ "	v111	30
C12	13'-9 ⁵ / ₈ "	v112	30
C13	7'-2 ³ / ₈ "	v113	16
C14	7'-4 ³ / ₄ "	v114	16
C15	7'-4 ³ / ₄ "	v115	16
C16	7'-2 ³ / ₈ "	v116	16
C17	8'-0"	v117	18
C18	8'-6"	v118	18



TYPICAL ADDITIONAL REINFORCEMENT AROUND MANHOLE FRAME LID



TYPICAL ADDITIONAL REINFORCEMENT AROUND PIPE PENETRATIONS



SECTION B-B

NOTES:

All reinforcement to have 2" clear cover unless noted otherwise.
 Cost of sump pits included with Concrete Structures.
 $f'_c = 3,500$ psi
 $f_y = 60,000$ psi (Reinforcement)
 U.N.O. - Unless Noted Otherwise

FILE NAME = C:\Users\seb\K1\ENGINEER\Download\1188-3.dwg