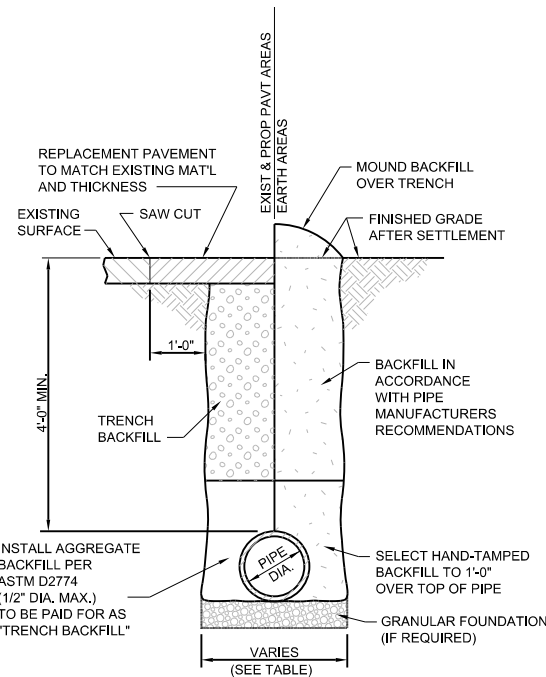
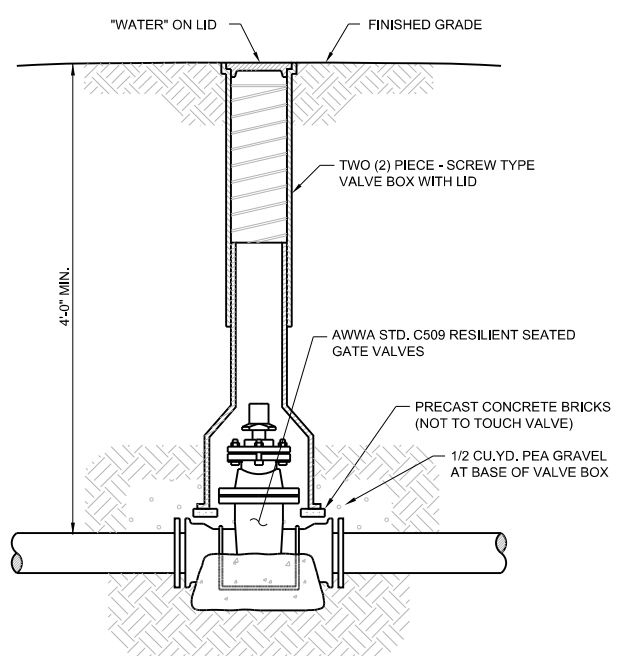


FILE NAME = G:\115\1150223\Work_Drwnr_3_M0_Ave_R12\ACADD_Sheets\0876699-ah-t-misc.dgn

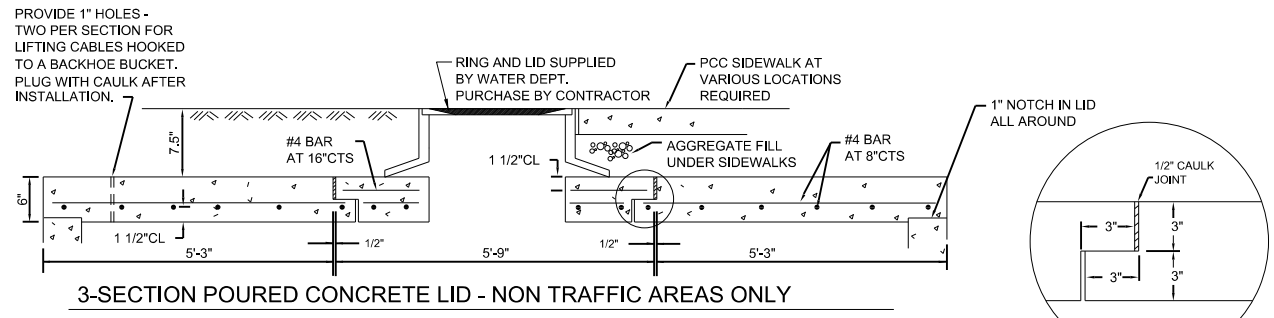


TRENCH WIDTHS		
PIPE DIA.	MAXIMUM	MINIMUM
2"	26"	10"
4"	28"	12"
6"	30"	14"
8"	32"	16"
10"	34"	18"
12"	36"	20"
24"	56"	32"

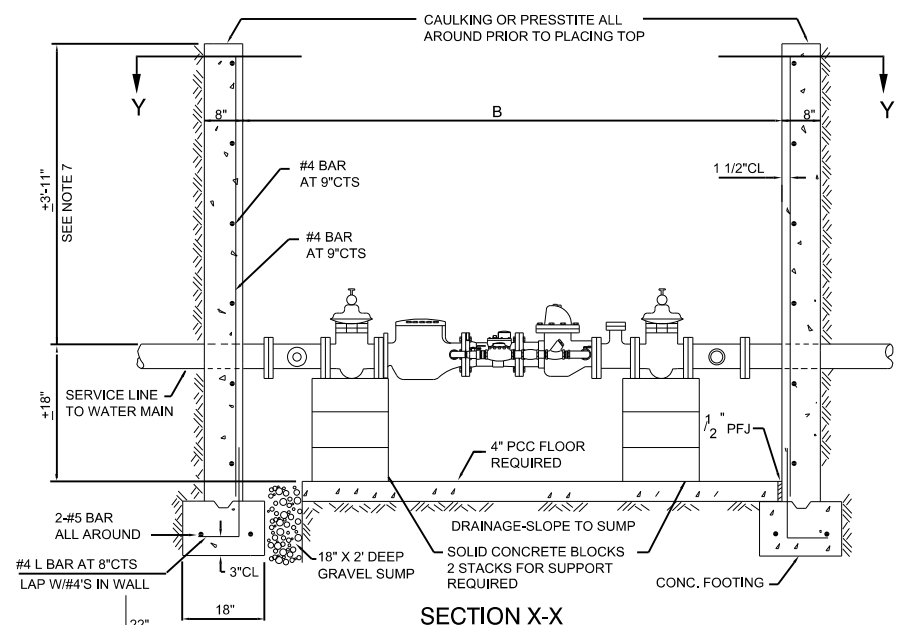
WATER PIPE INSTALLATION
N.T.S.



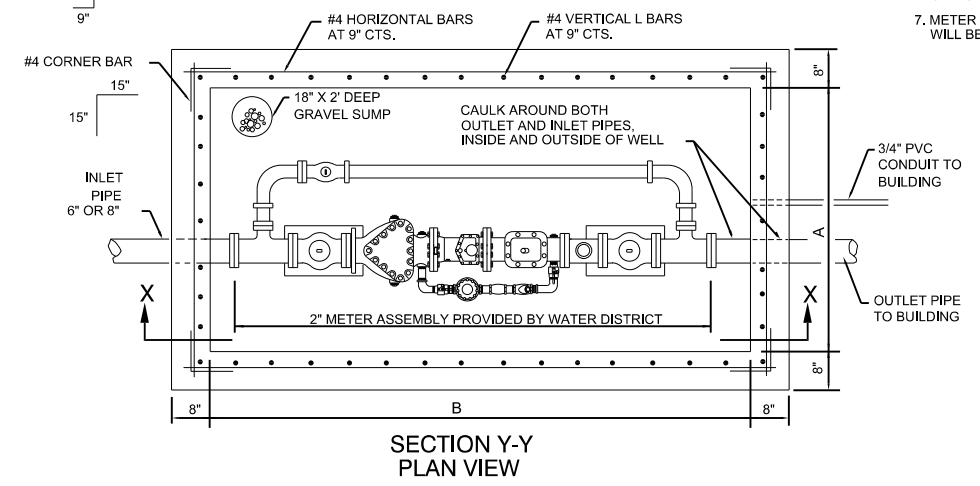
VALVE SETTING
N.T.S.



3-SECTION POURED CONCRETE LID - NON TRAFFIC AREAS ONLY



SECTION X-X



SECTION Y-Y PLAN VIEW

WATER METER VAULT DETAIL
N.T.S.

* WATER SERVICE		
SIZE	DIMENSION A	DIMENSION B
4"	8'	13'

NOTES

- METER ASSEMBLY AND WELL COVER TO BE PROVIDED BY AMERICAN WATER
- PROVIDE KEYWAY IN CONCRETE FOOTING.
- AT THE OPTION OF THE CONTRACTOR, 24" HIGH L BARS CAN BE SET WITH THE FOOTING. VERTICAL STEEL FOR WALLS CAN BE LAPPED AND TIED TO L BARS.
- BACKFILL AROUND WELL EITHER AGGREGATE OR COMPACTED EARTH. AGGREGATE REQUIRED IN TRAFFIC AREAS.
- COST OF FURNISHING AND PLACING REINFORCEMENT BARS INCIDENTAL.
- DEPTH OF WELL DEPENDENT ON DEPTH OF SERVICE LINE AND ON THE TYPE OF LID USED - TRAFFIC OR NON-TRAFFIC.
- METER ASSEMBLY & ACCESSORIES WILL BE BILLED TO THE CONTRACTOR.