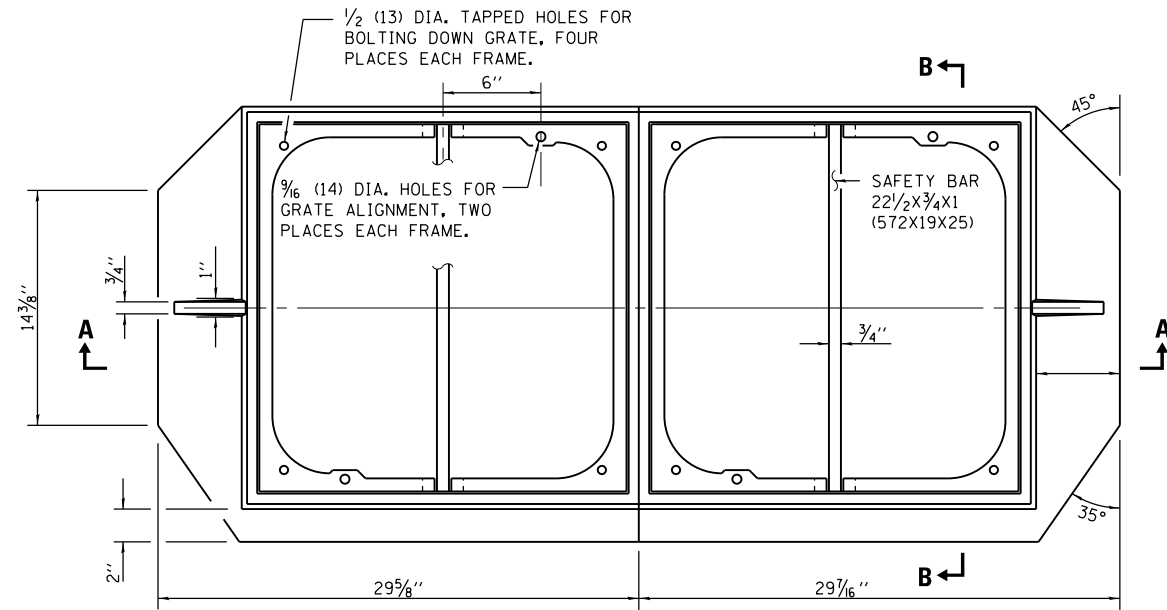
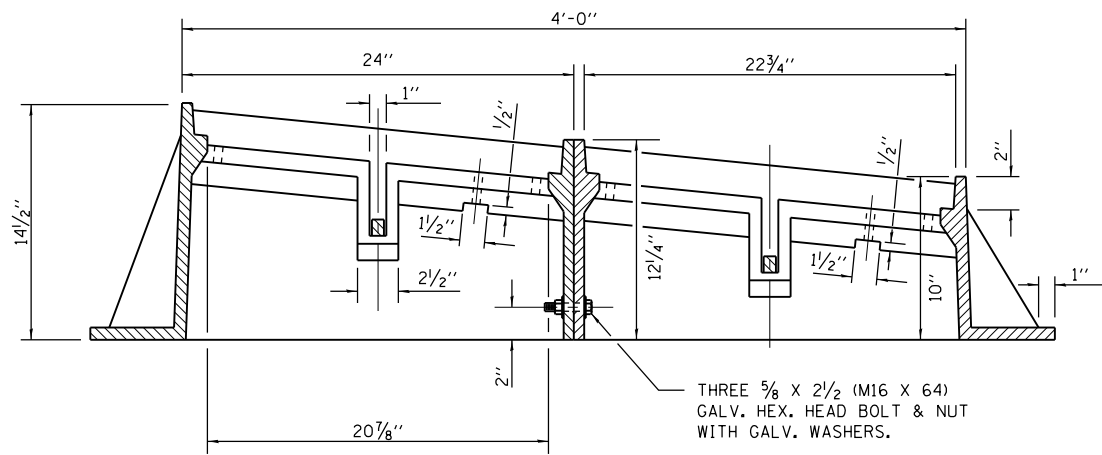


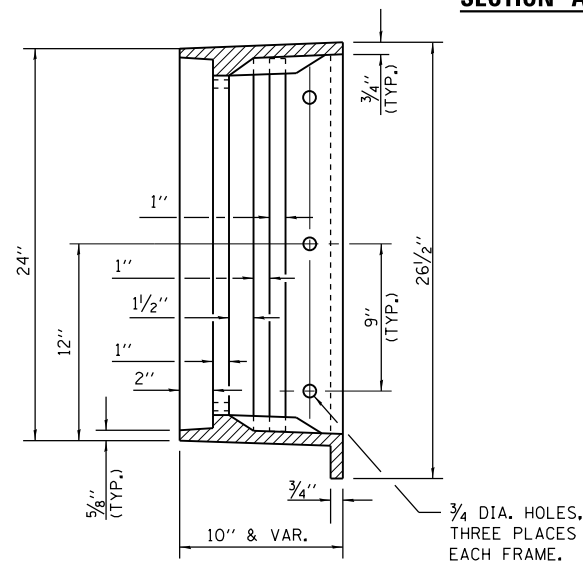
**TYPE 22 FRAME AND GRATE (SPECIAL)**



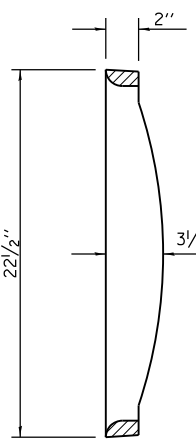
**PLAN VIEW**



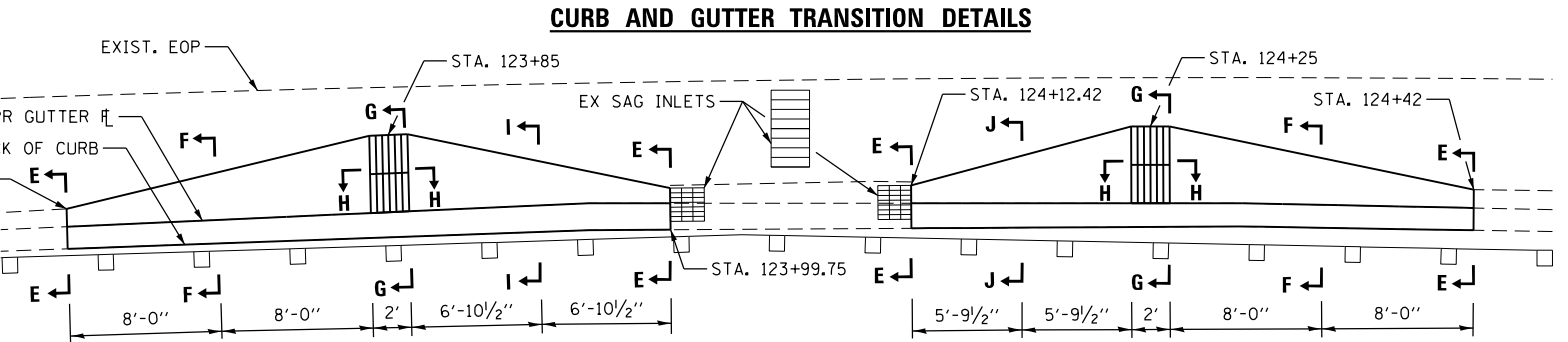
**SECTION A-A**



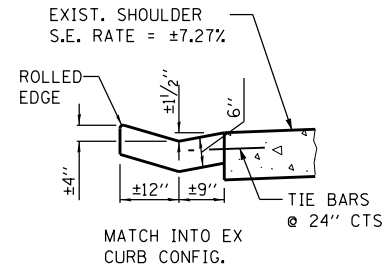
**SECTION B-B**



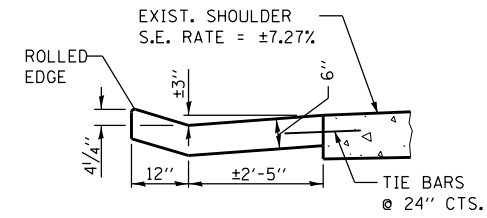
**SECTION C-C**



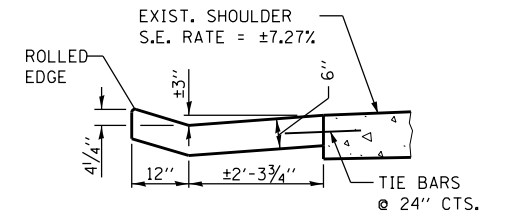
**PLAN VIEW**



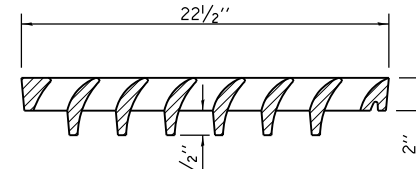
**(EXISTING) SECTION E-E**



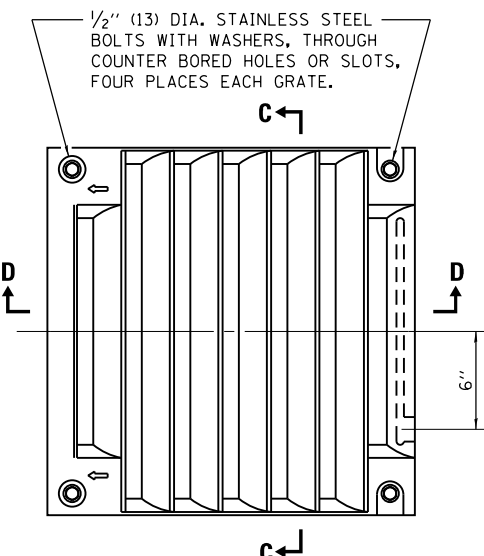
**SECTION F-F**



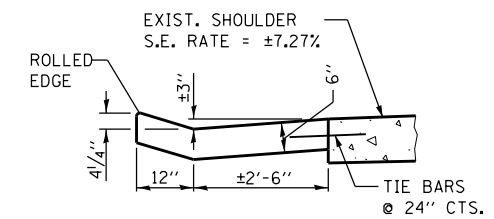
**SECTION I-I**



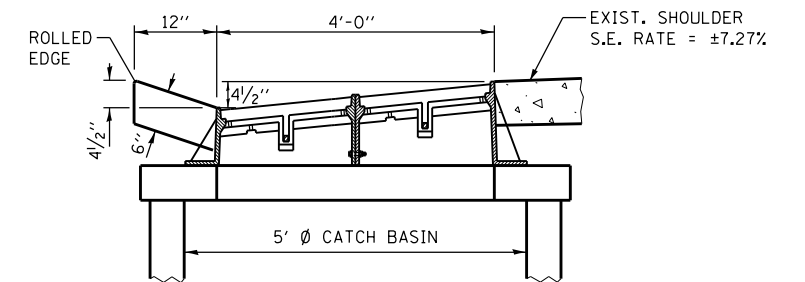
**SECTION D-D**



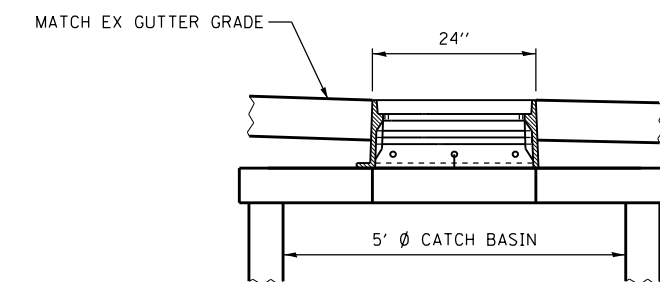
**CAST GRATE**



**SECTION J-J**



**SECTION G-G**



**SECTION H-H**

FILE NAME = G:\115\115023\Work\_Drwnr\_3\_M0\_Ave\_P12\ACADD\_Sheets\0876699-ah-t-main.dgn