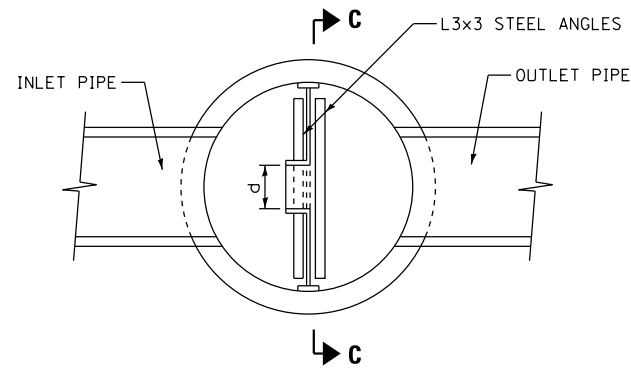


**SECTION A-A**  
NOT TO SCALE

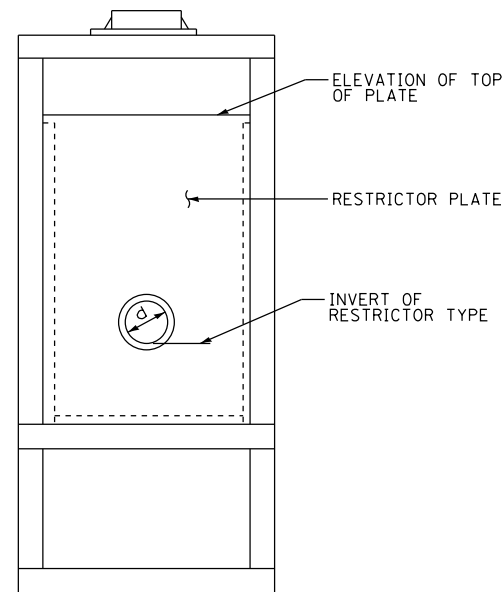
THE CONTRACTOR MAY USE THE 18" CAST IRON PIPE AND THE FULL DEPTH OF THE MANHOLE TO DISCHARGE GROUNDWATER FROM THE CONSTRUCTION OF THE HORIZONTAL COLLECTOR WELL TO THE BOWMAN AVENUE PUMP STATION.

ONCE THE HORIZONTAL COLLECTOR WELL IS OPERATIONAL, THE RESTRICTOR PLATE AND FALSE CONCRETE FLOOR SHALL BE CONSTRUCTED.

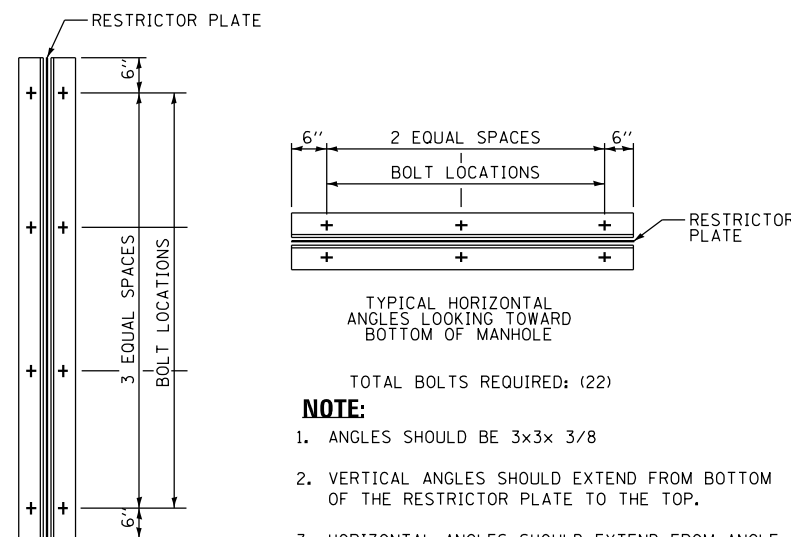
CALL OUT	MANHOLE DIAMETER	FRAME AND FRATE	RESTRICTOR TYPE	INSIDE RESTRICTOR TYPE DIAMETER INCHES (d)	INVERT OF RESTRICTOR TYPE	ELEVATION OF TOP OF PLATE OVERFLOW
A3	7'	TY 1	1	12"	412.00	418.00



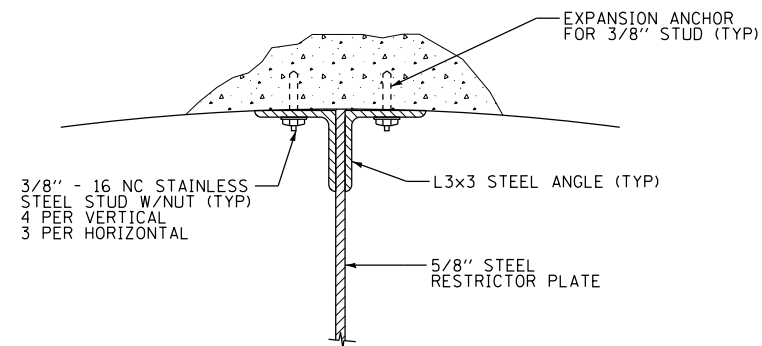
**SECTION B-B**  
NOT TO SCALE



**SECTION C-C**  
NOT TO SCALE



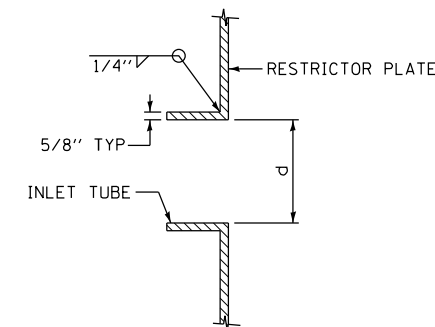
**STEEL ANGLE BOLTING DETAILS**  
NOT TO SCALE



**ANGLE FASTENER DETAIL**  
NOT TO SCALE

**NOTES:**

1. ALL STEEL ANGLES AND PLATES TO BE GALVANIZED AFTER FABRICATION.
2. ALL RESTRICTOR PLATES, ANGLES AND HARDWARE TO BE INCLUDED IN THE COST OF THE MANHOLE.
3. BASIS OF PAYMENT: "MANHOLES, TYPE A, 6 FT.-DIAMETER, TYPE 1 FRAME, CLOSED LID, RESTRICTOR PLATE" EACH



**INLET TUBE DETAIL**  
NOT TO SCALE

RESTRICTOR TYPE					
1	2	3	4	5	6
RE-ENTRANT TUBE	SHARP EDGED	SQUARE EDGED	RE-ENTRANT TUBE	SQUARE EDGED	ROUNDED
LENGTH: 1/2 TO 1 DIA		STREAM CLEARS SIDES	LENGTH: 2-1/2 DIA	LENGTH: 2-1/2 DIA	
C=.52	C=.61	C=.61	C=.73	C=.82	C=.98

VALUES OF "C" FOR CIRCULAR AND SQUARE ORIFICES

FILE NAME = G:\115\110223\Work\_Drwnr\_3\_M0\_Ave\_R12\ACADD\_Sheets\DR7699-ah-Manhole\_RestrictorPlate.dwg