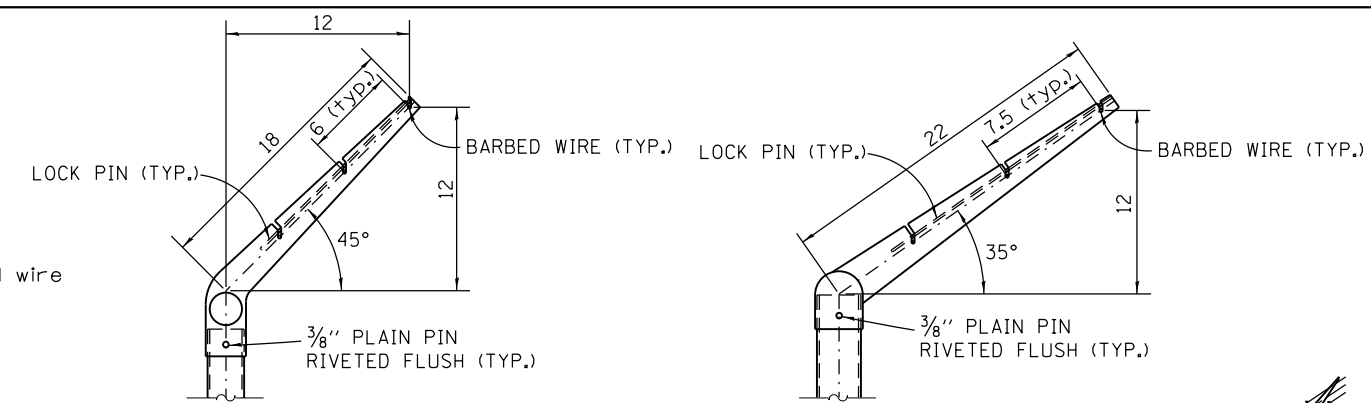
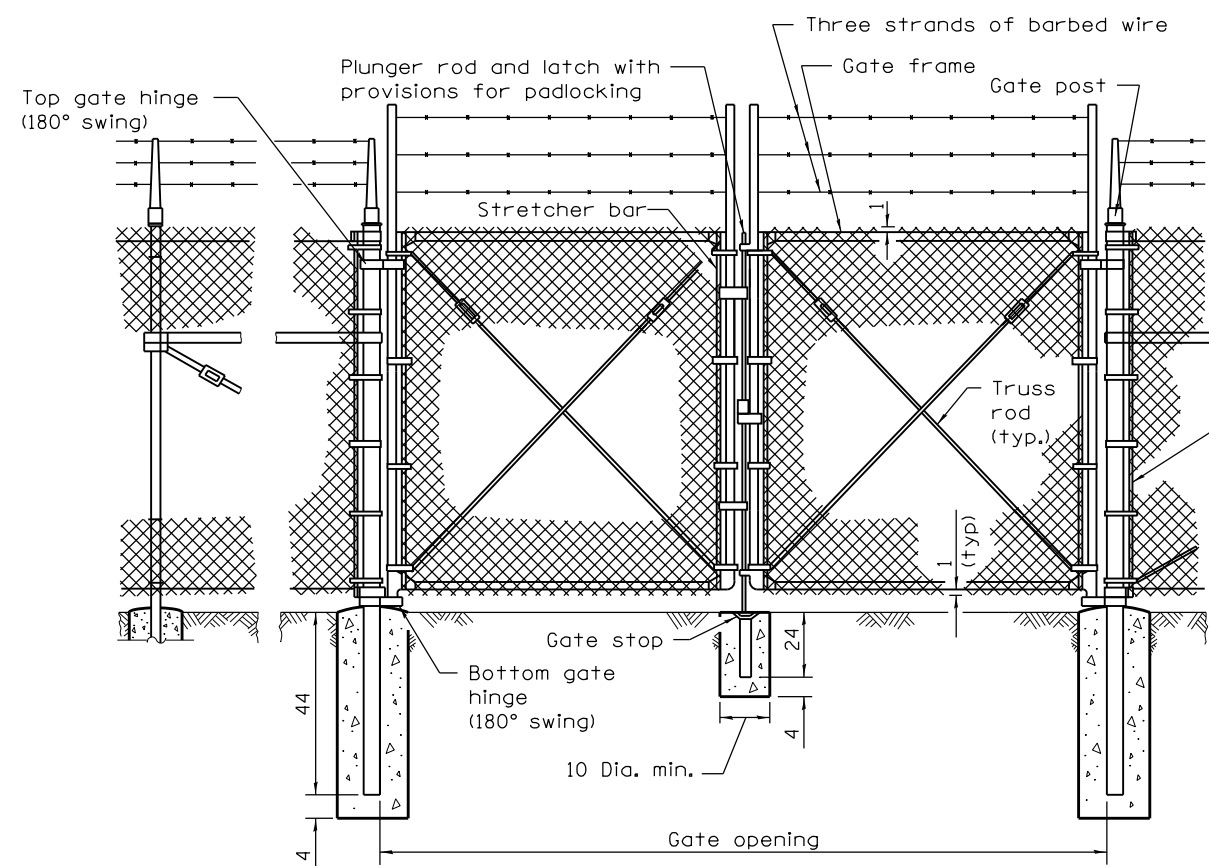


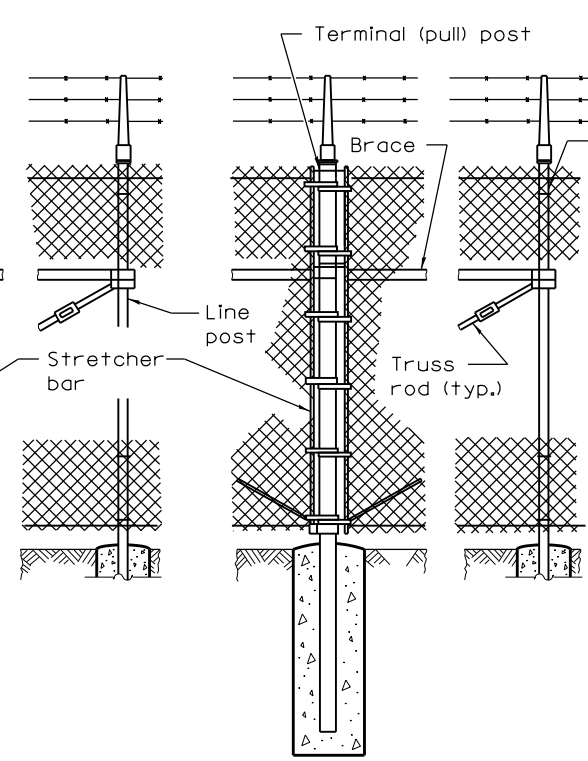
PLAN
NTS



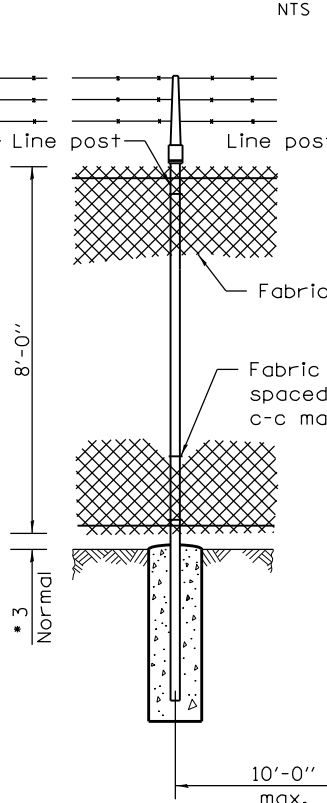
LINE POST EXTENSION ARM DETAILS CORNER POST
NTS



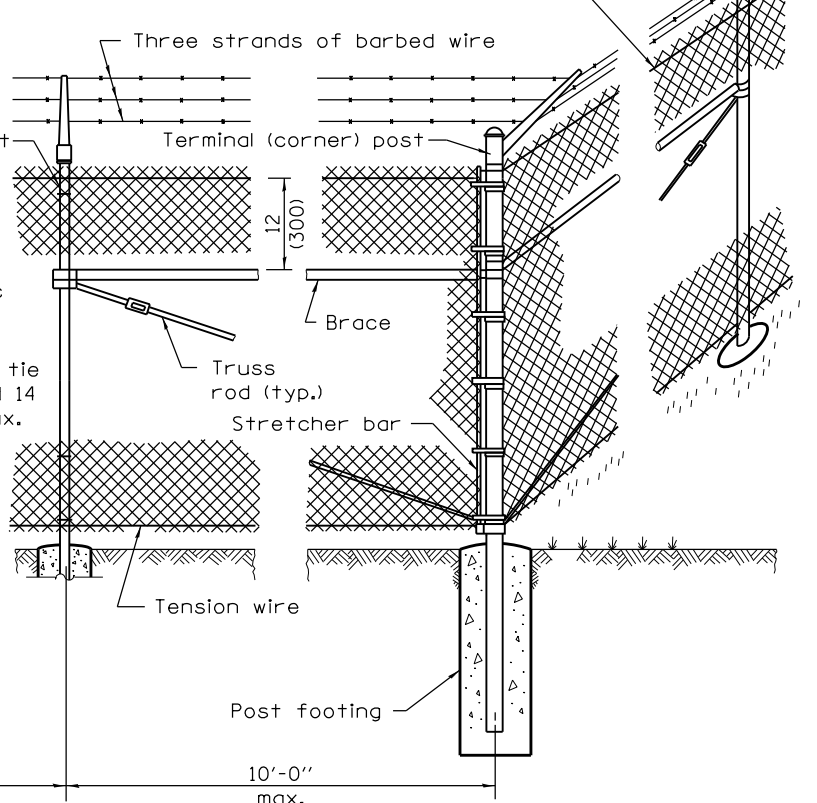
VEHICLE GATE ARRANGEMENT



PULL POST ARRANGEMENT



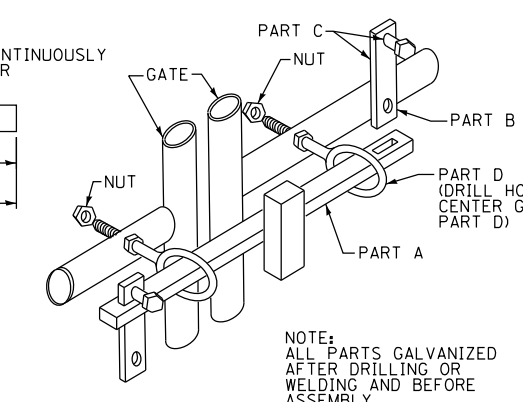
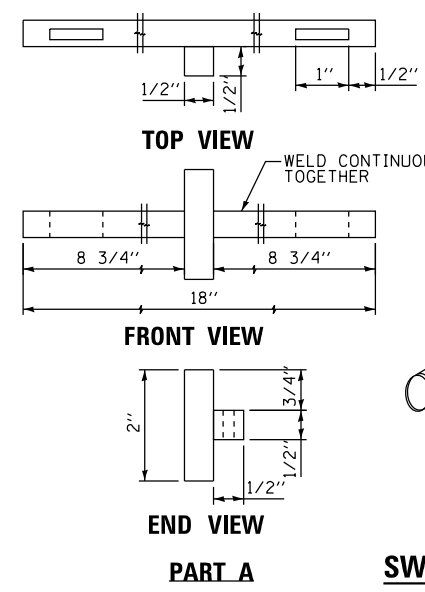
LINE POST ARRANGEMENT



CORNER OR END POST ARRANGEMENT

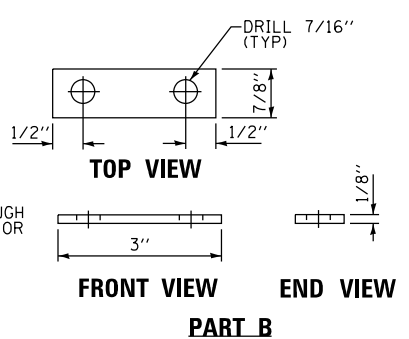
ELEVATION
NTS

• On uneven ground this dimension may vary between 1 min. to 5 max. for a max. distance of 8'-0".



SWING GATE LOCKING DEVICE
NTS

NOTE: ALL PARTS GALVANIZED AFTER DRILLING OR WELDING AND BEFORE ASSEMBLY



PART C IS FABRICATED THE SAME WITH A BOLT INTO EACH HOLE

PART B

FILE NAME = G:\115\110223\Work_Drwnr_3_M0_Ave_Ph2\ACADD_Sheets\0876699-ht-FenceDetail.dgn