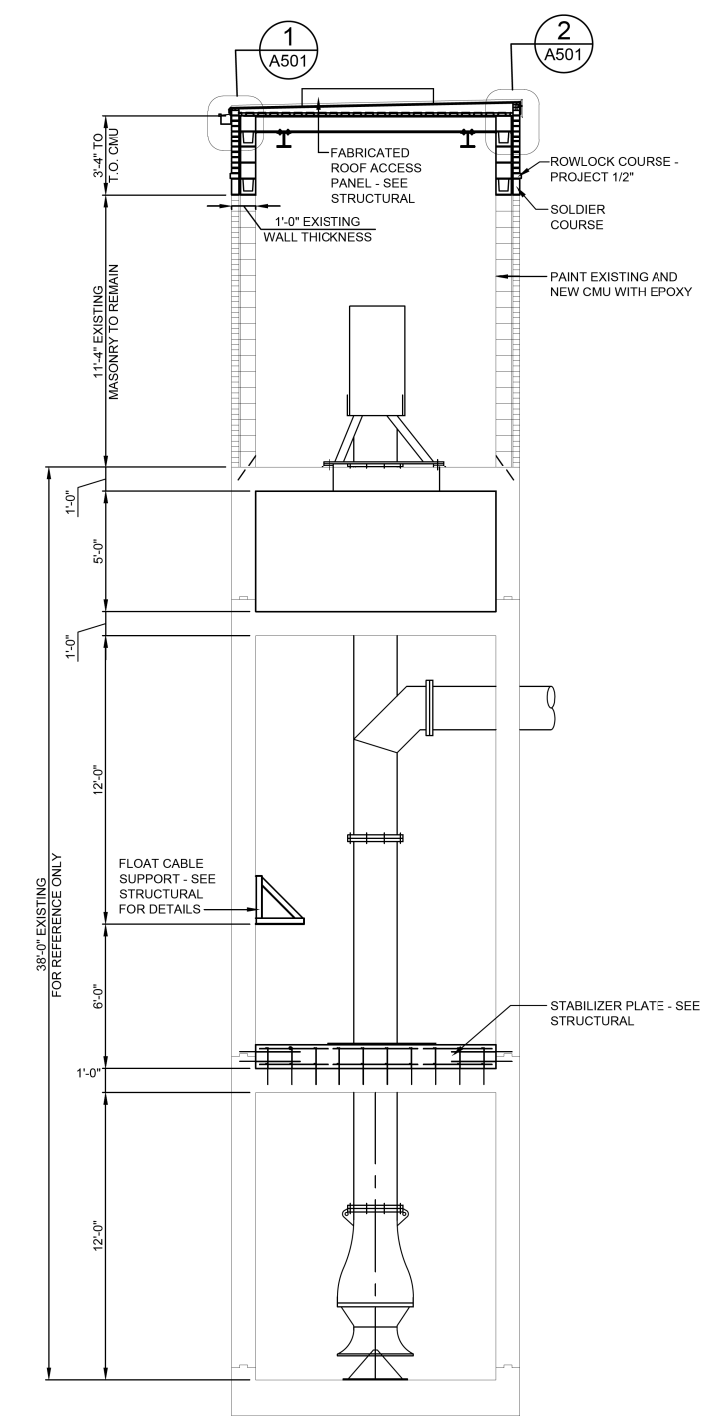
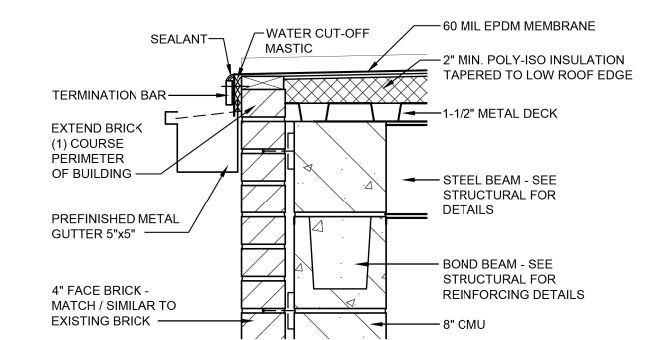


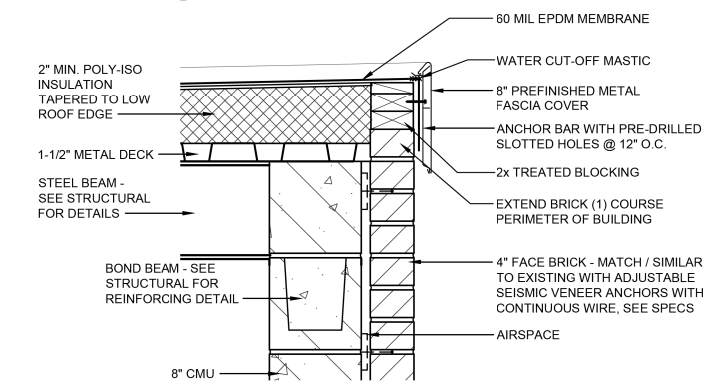
FILE NAME = G:\115\1150223\Work\Drawn\3 MO Ave PH2\CADD Sheets\DB76099-arch-KL.A-arch.dgn



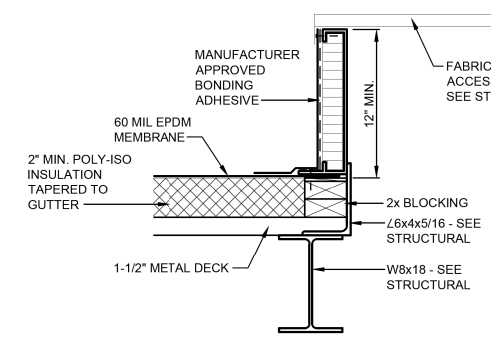
A SECTION
A501 SCALE: 1/4"=1'-0"
SEE STRUCTURAL SHEETS FOR DEMOLITION NOTES



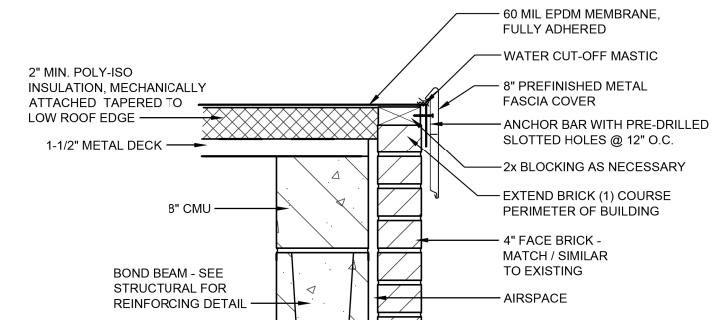
1 LOW EDGE DETAIL
A501 SCALE: 1-1/2"=1'-0"



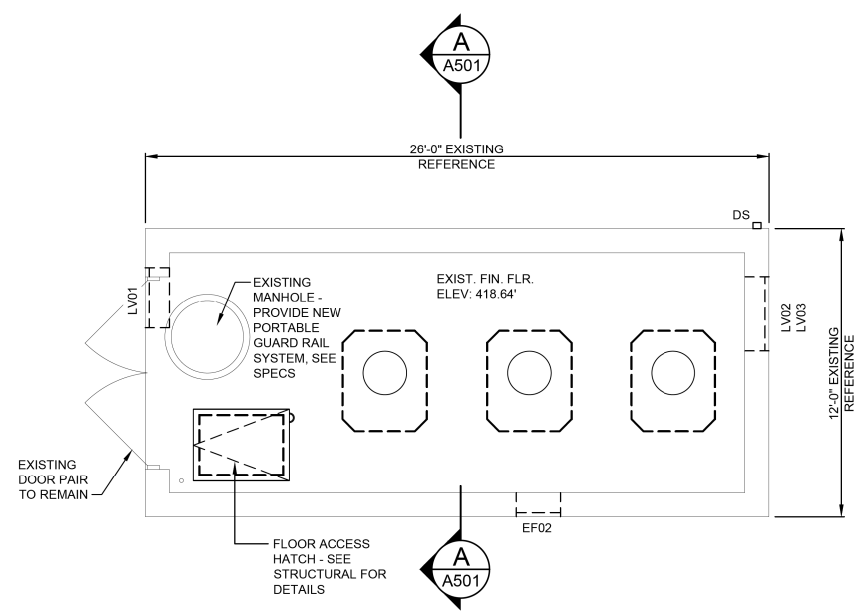
2 HIGH EDGE DETAIL
A501 SCALE: 1-1/2"=1'-0"



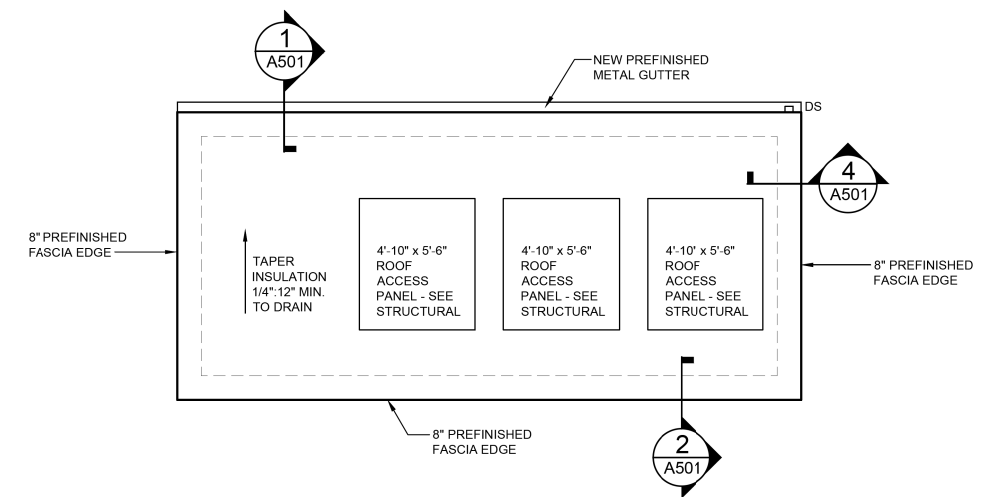
3 HATCH CURB DETAIL
A501 SCALE: 1-1/2"=1'-0"



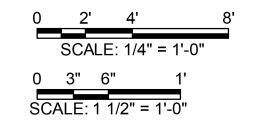
4 EDGE DETAIL
A501 SCALE: 1-1/2"=1'-0"



EXISTING PUMP STATION BUILDING FLOOR PLAN
SCALE: 1/4" = 1'-0"
SEE STRUCTURAL SHEETS FOR DEMOLITION NOTES



EXISTING PUMP STATION BUILDING ROOF PLAN
SCALE: 1/4" = 1'-0"
SEE STRUCTURAL SHEETS FOR DEMOLITION NOTES



USER NAME = seb	DESIGNED - DEN	REVISED -
PLOT SCALE = 40.0000' / in.	DRAWN - CRC	REVISED -
PLOT DATE = 8/23/2014	CHECKED - DEN	REVISED -
	DATE - 8/22/2014	REVISED -