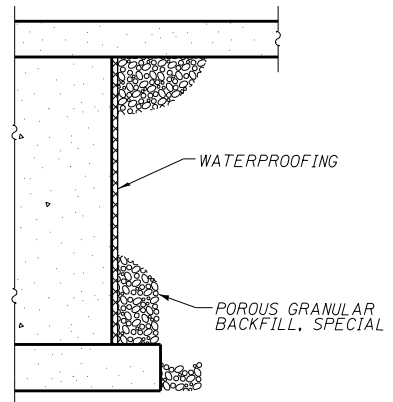
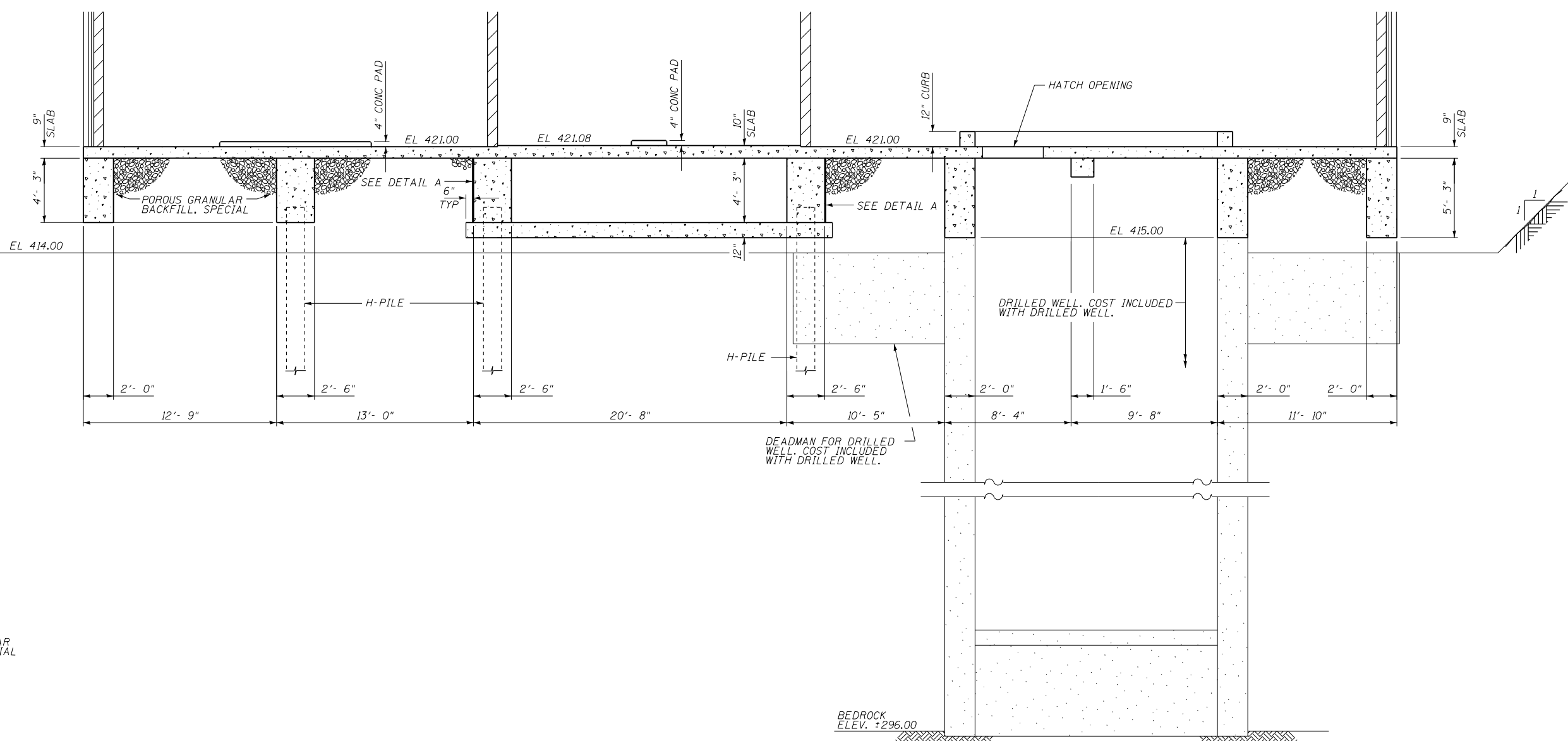
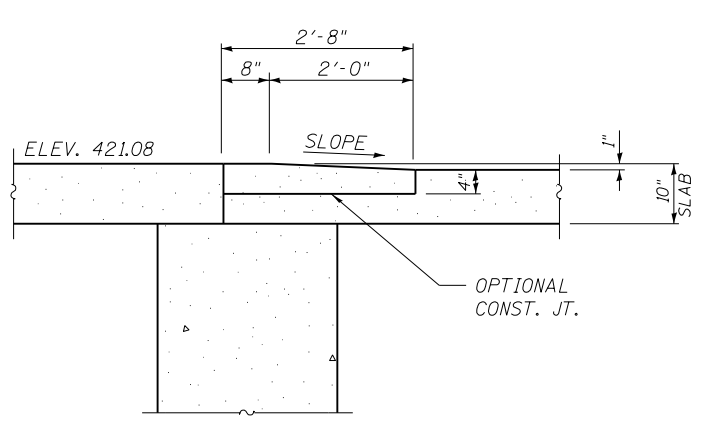


LIMITS OF STRUCTURE EXCAVATION FOR DRILLED WELL CONSTRUCTION. COST INCLUDED WITH STRUCTURE EXCAVATION.

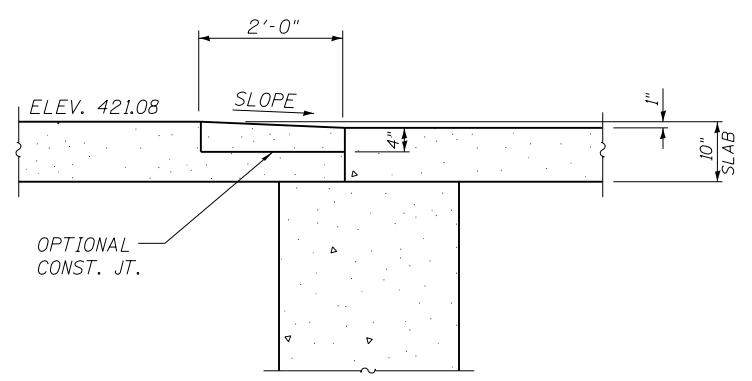


NOTE: WATERPROOF AS PER SECTION 503 OF THE STANDARD SPECIFICATIONS. COST INCLUDED WITH CONCRETE STRUCTURES.

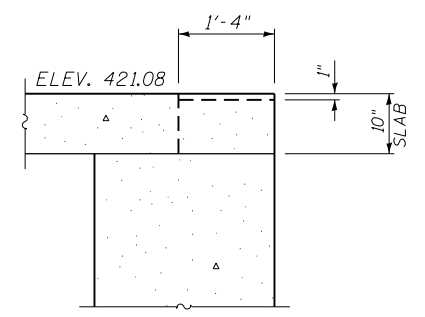
1 SECTION  
S102 SCALE: 1/4"=1'-0"



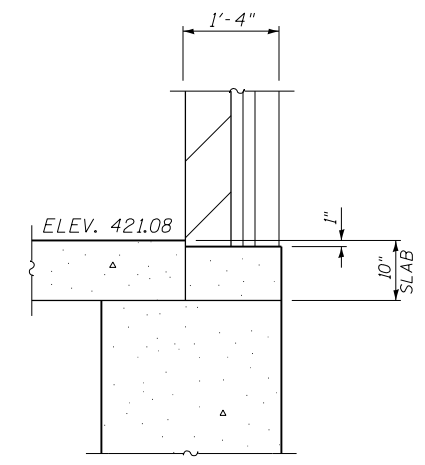
2 SECTION  
S102 SCALE: 3/4"=1'-0"



3 SECTION  
S102 SCALE: 3/4"=1'-0"



4 SECTION  
S102 SCALE: 3/4"=1'-0"



5 SECTION  
S102 SCALE: 3/4"=1'-0"

FILE NAME = G:\115\115023\Work\_Drwnr\_3\_M0\_Avg\_R12\AC00D\_Strengths\_Grade\_Beam\_Plan.dgn

**KLINGNER & ASSOCIATES, P.C.**  
Engineers • Architects • Surveyors

USER NAME = seb  
PLOT SCALE = 25.0007' / in.  
PLOT DATE = 8/23/2014

DESIGNED - RJP  
DRAWN - BGJ  
CHECKED - ADL  
DATE - 8/22/2014

REVISED -  
REVISED -  
REVISED -  
REVISED -

STATE OF ILLINOIS  
DEPARTMENT OF TRANSPORTATION

WELL HOUSE BLDG - FOUNDATION DETAILS  
MISSOURI AVENUE DEEP WELL FACILITY

SCALE: SHEET OF SHEETS STA. TO STA.

F.A.I. RTE.	SECTION	COUNTY	TOTAL SHEETS	SHEET NO.
64	82-4T-1	ST. CLAIR	185	80
CONTRACT NO. 76C99				
ILLINOIS FED. AID PROJECT				

S102