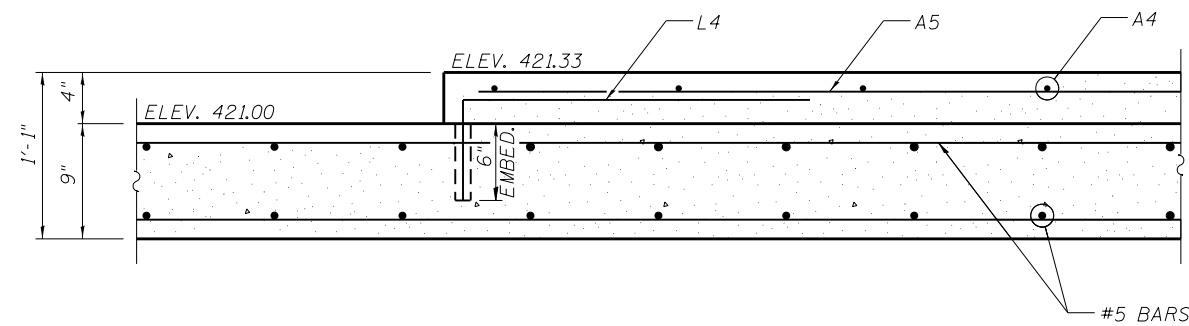
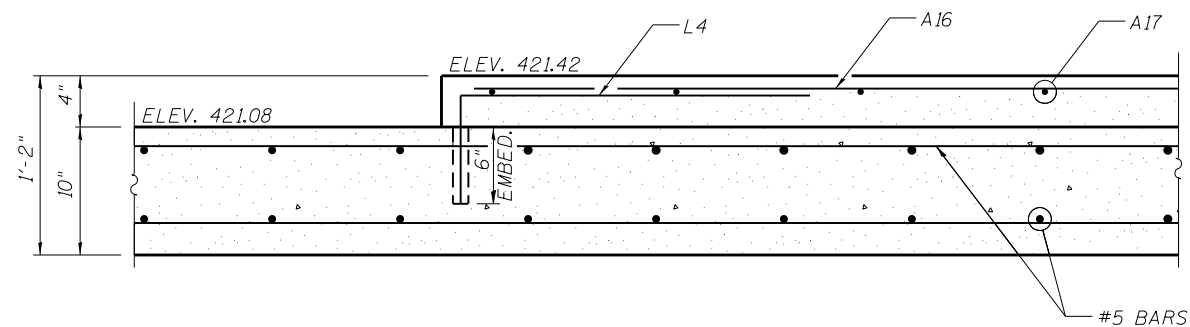


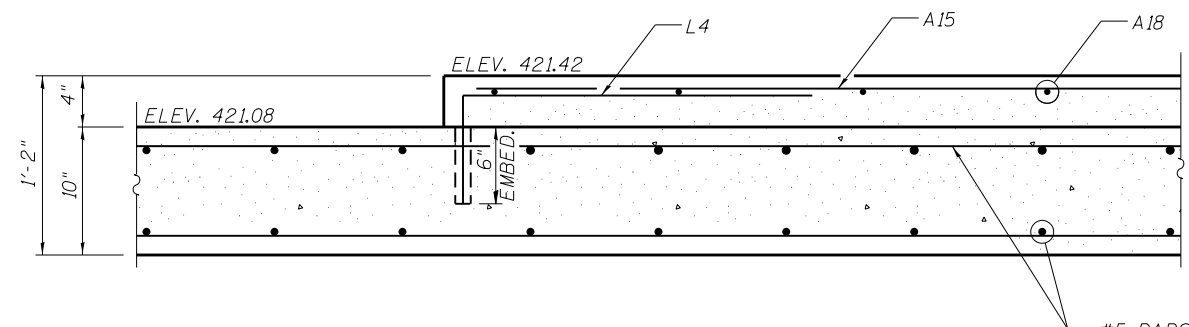
SECTION 1  
S106



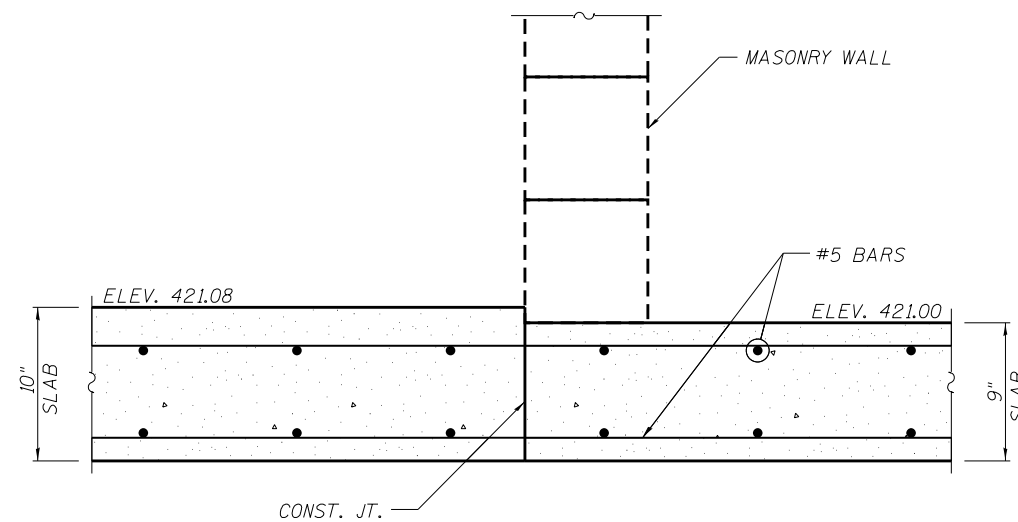
SECTION 2  
S106



SECTION 3  
S106



SECTION 4  
S106



SECTION 5  
S106

FILE NAME = G:\11\110223\Work\_Drwnr\_3\_M0\_Ave\_P12\ACDD\_Street\Grade Beam\_Plan.dgn

**KLINGNER & ASSOCIATES, P.C.**  
Engineers • Architects • Surveyors

USER NAME = seb  
PLOT SCALE = 25.0007' / in.  
PLOT DATE = 8/23/2014

DESIGNED - RJP  
DRAWN - ADL  
CHECKED - RJP  
DATE - ADL

REVISED -  
REVISED -  
REVISED -  
REVISED -

STATE OF ILLINOIS  
DEPARTMENT OF TRANSPORTATION

WELL HOUSE BLDG - HOUSEKEEPING PAD DETAILS  
MISSOURI AVENUE DEEP WELL FACILITY

SCALE: SHEET OF SHEETS STA. TO STA.

F.A.I. RTE.	SECTION	COUNTY	TOTAL SHEETS	SHEET NO.
64	82-4T-1	ST. CLAIR	185	84
CONTRACT NO. 76C99				
ILLINOIS FED. AID PROJECT				

S106