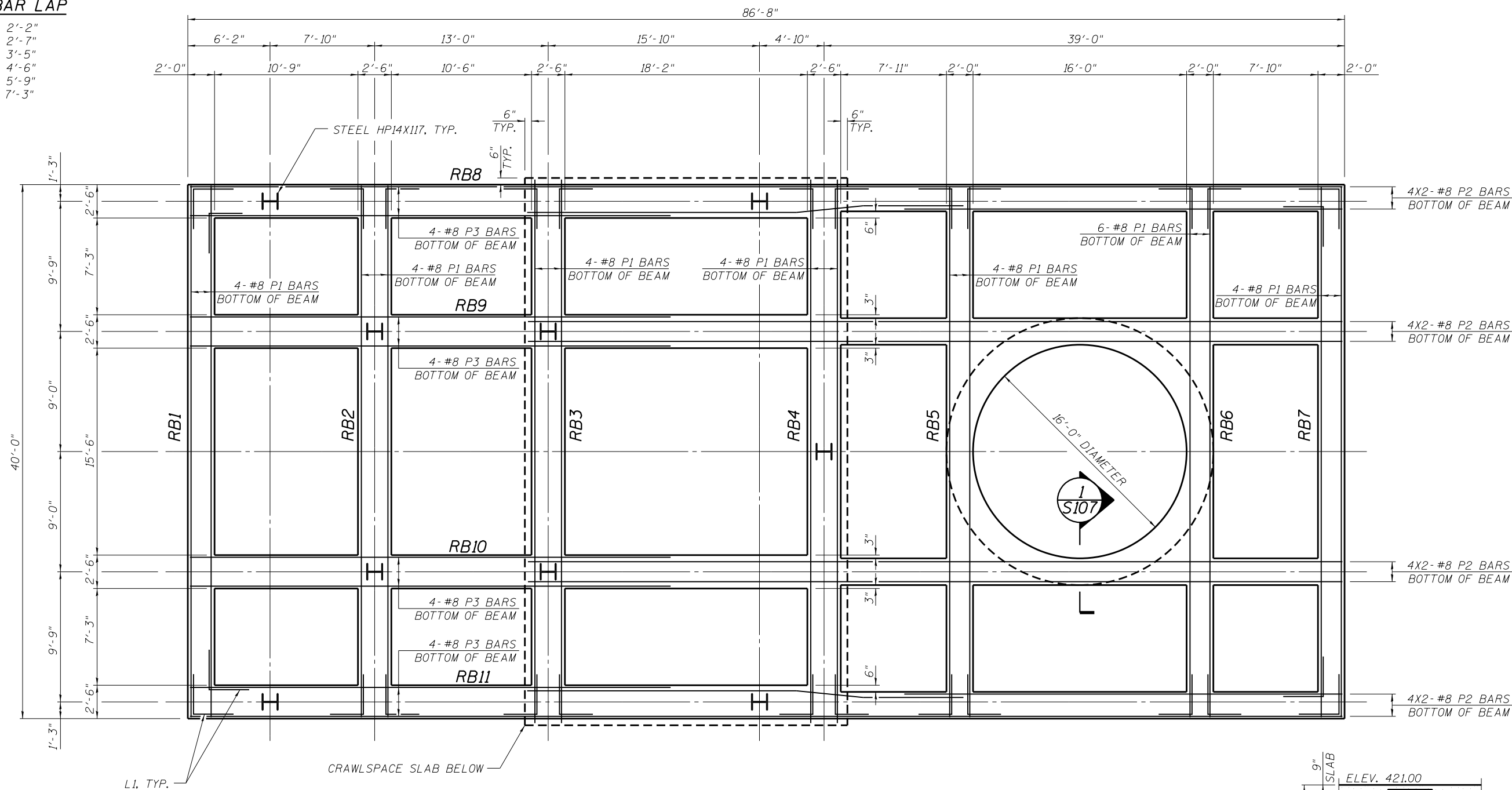


MINIMUM BAR LAP

- #5 bar = 2'-2"
- #6 bar = 2'-7"
- #7 bar = 3'-5"
- #8 bar = 4'-6"
- #9 bar = 5'-9"
- #10 bar = 7'-3"

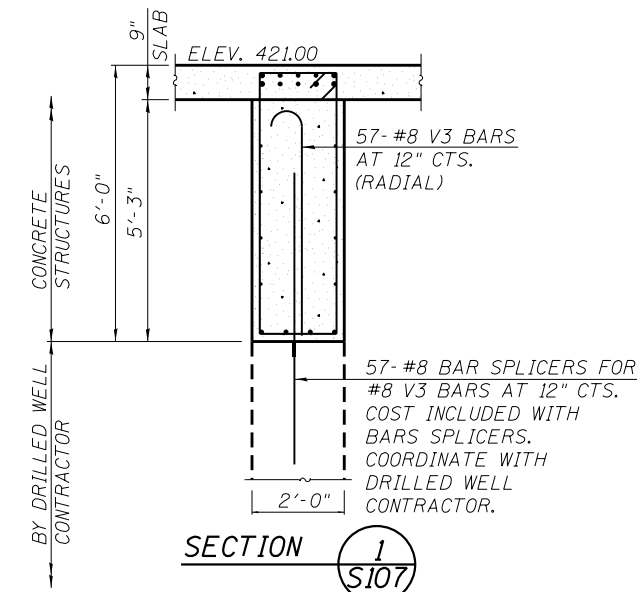


PILE DATA

TYPE: STEEL HP 14 X 117
 NOMINAL REQUIRED BEARING: 929 KIPS/PILE
 FACTORED RESISTANCE AVAILABLE: 510 KIPS/PILE
 EST. LENGTH: 120 FEET/PILE
 NO. PRODUCTION PILES: 8
 NO. TEST PILES: 1

GRADE BEAM BOTTOM PLAN

NOTE:
 BARS INDICATED THUS 4X2-#8 ETC. INDICATES
 4 LINES OF BARS WITH 2 LENGTHS PER LINE.



FILE NAME = G:\115\115023\Work_Drwn_3 MO Ave_R12\AC00D Sheets\Grade Beam_Plan.dgn

USER NAME = seb	DESIGNED - RJP	REVISED -
PLOT SCALE = 25.0007' / in.	DRAWN - ADL	REVISED -
PLOT DATE = 8/23/2014	CHECKED - RJP	REVISED -
	DATE - ADL	REVISED -