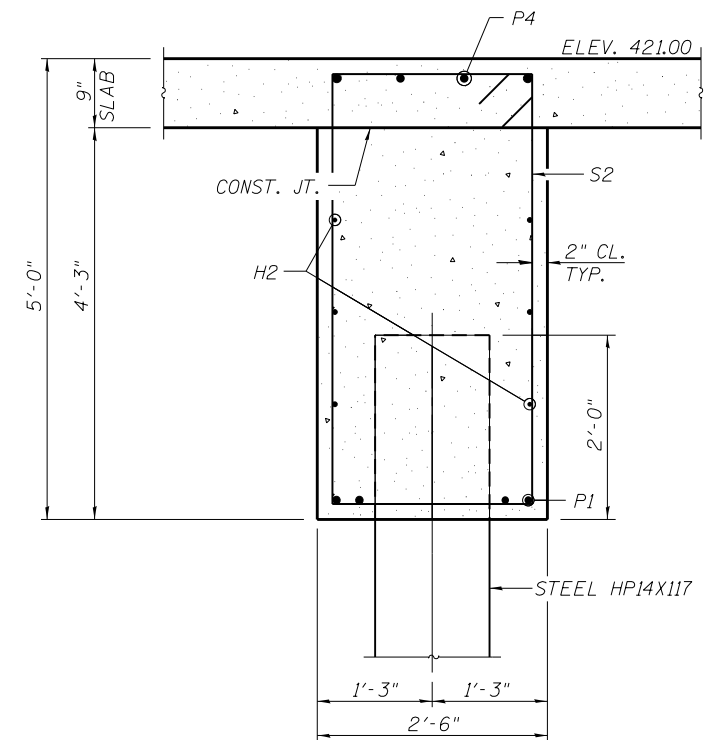
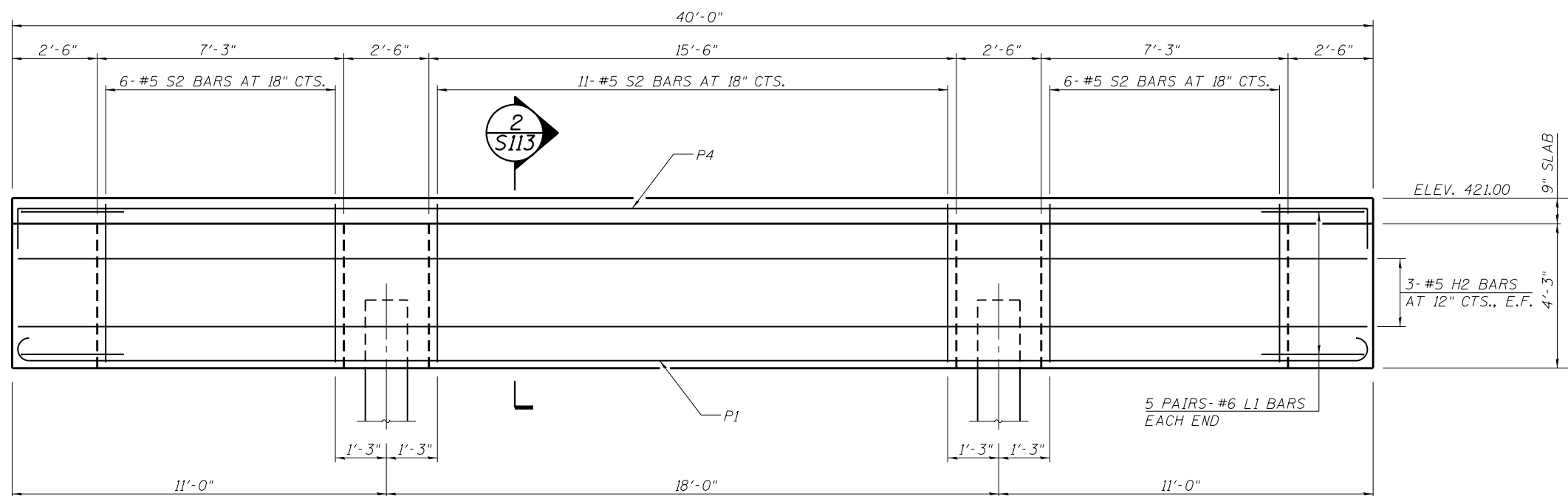


SECTION 1
S113



SECTION 2
S113

FILE NAME = G:\115\1150223\Work_Drwn_3_MO_Ave_Riz2\ACDD_Street\Grade_Beam_Plan.dgn

KLINGNER & ASSOCIATES, P.C.
Engineers • Architects • Surveyors

USER NAME = seb
PLOT SCALE = 25.0007' / in.
PLOT DATE = 8/23/2014

DESIGNED - RJP
DRAWN - ADL
CHECKED - RJP
DATE - ADL

REVISED -
REVISED -
REVISED -
REVISED -

STATE OF ILLINOIS
DEPARTMENT OF TRANSPORTATION

WELL HOUSE BLDG - CONCRETE BEAM DETAILS
MISSOURI AVENUE DEEP WELL FACILITY

SCALE: SHEET OF SHEETS STA. TO STA.

F.A.I. RTE.	SECTION	COUNTY	TOTAL SHEETS	SHEET NO.
64	82-4T-1	ST. CLAIR	185	91
CONTRACT NO. 76C99				
ILLINOIS FED. AID PROJECT				

S113