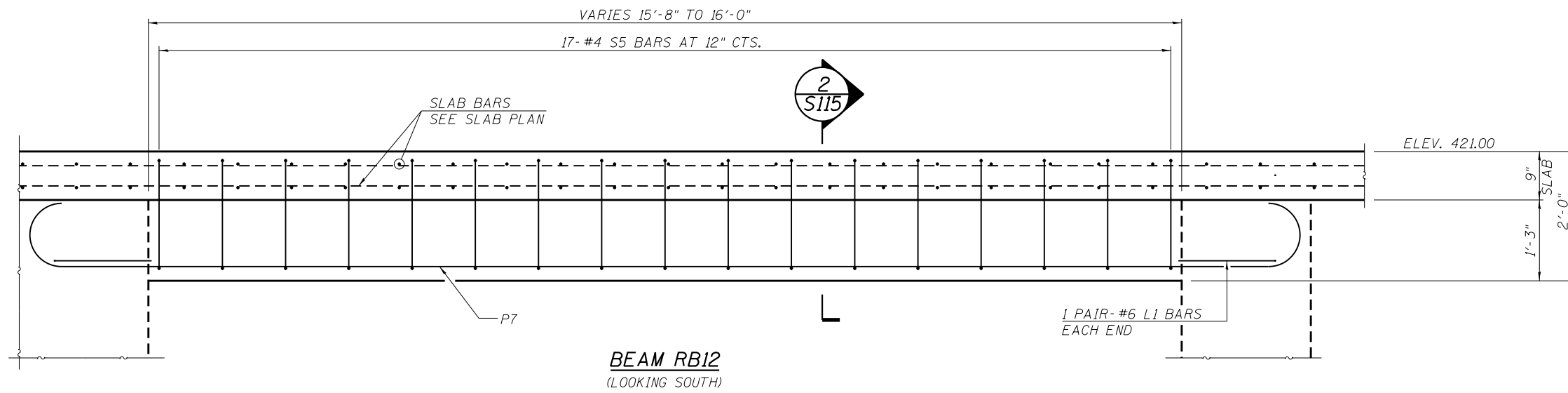
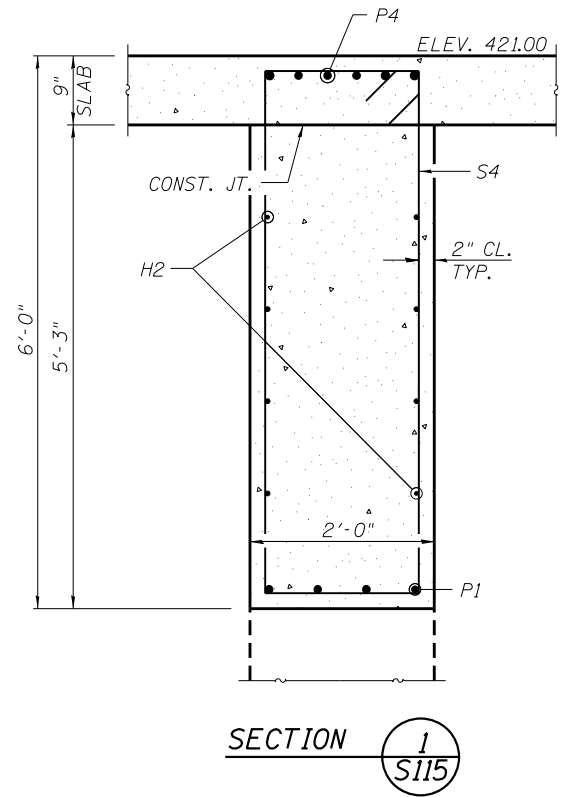
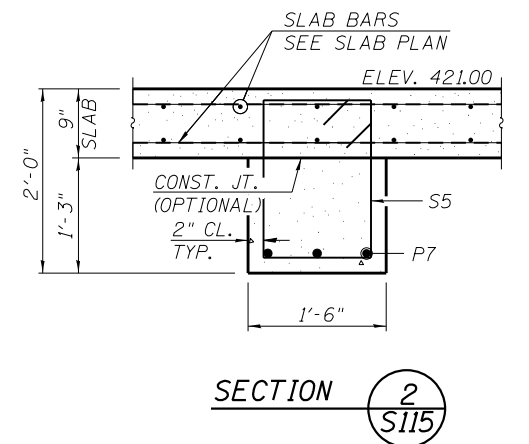


BEAM RB5
(LOOKING SOUTH)



BEAM RB12
(LOOKING SOUTH)



FILE NAME = G:\115\110223\Work_Drwn_3_M0_Ave_Riz2AC00D Streets_Grade_Beam_Plan.dgn

KLINGNER & ASSOCIATES, P.C.
Engineers • Architects • Surveyors

USER NAME = seb
PLOT SCALE = 25.0007' / in.
PLOT DATE = 8/23/2014

DESIGNED - RJP
DRAWN - ADL
CHECKED - RJP
DATE - ADL

REVISED -
REVISED -
REVISED -
REVISED -

STATE OF ILLINOIS
DEPARTMENT OF TRANSPORTATION

WELL HOUSE BLDG - CONCRETE BEAM DETAILS
MISSOURI AVENUE DEEP WELL FACILITY

SCALE: SHEET OF SHEETS STA. TO STA.

F.A.I. RTE. 64	SECTION 82-4T-1	COUNTY ST. CLAIR	TOTAL SHEETS 185	SHEET NO. 93
CONTRACT NO. 76C99				
ILLINOIS FED. AID PROJECT				

S115