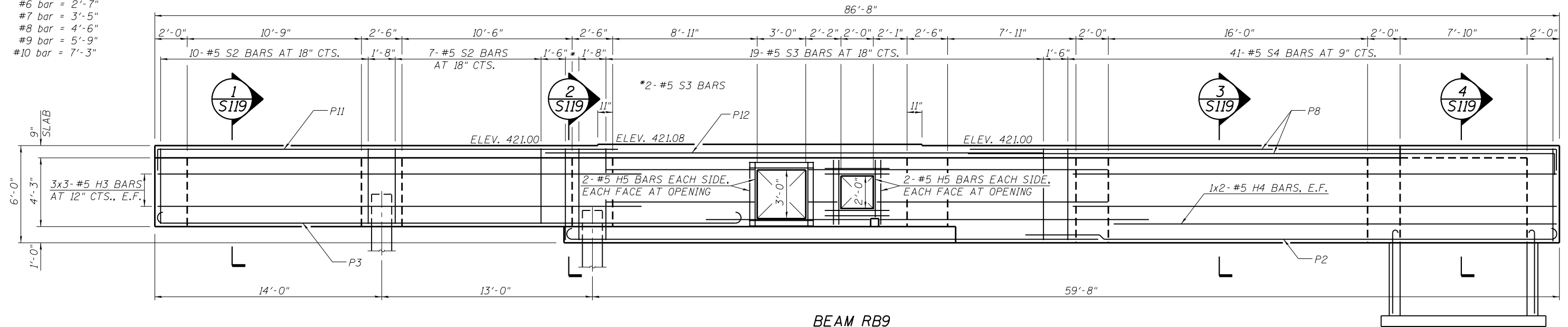


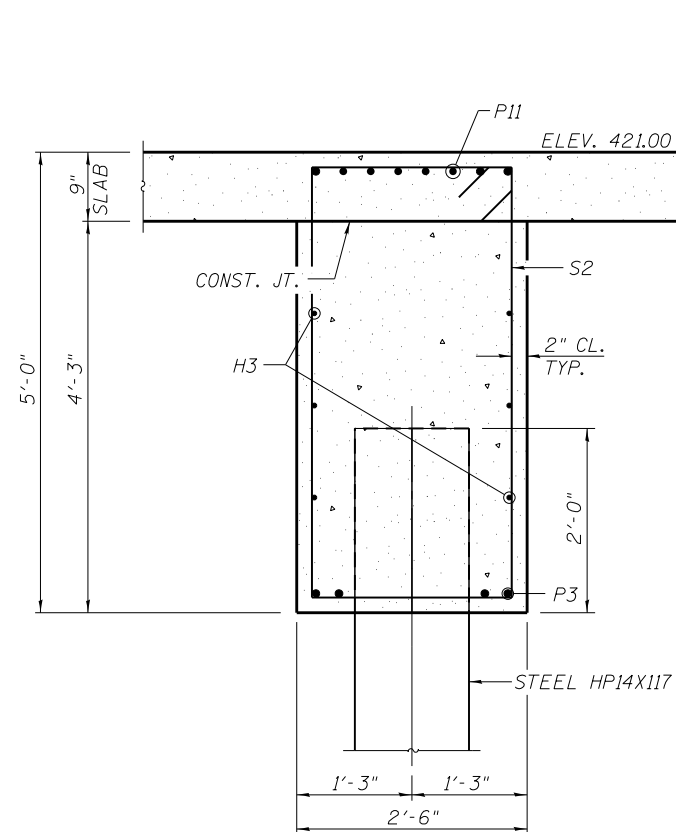
**MINIMUM BAR LAP**

- #5 bar = 2'-2"
- #6 bar = 2'-7"
- #7 bar = 3'-5"
- #8 bar = 4'-6"
- #9 bar = 5'-9"
- #10 bar = 7'-3"

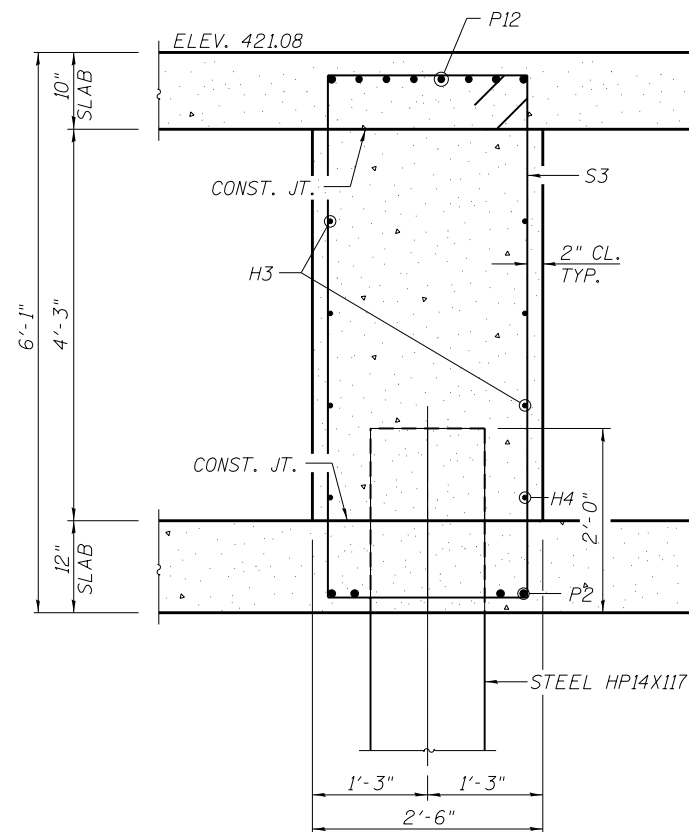


**BEAM RB9**  
(LOOKING EAST)

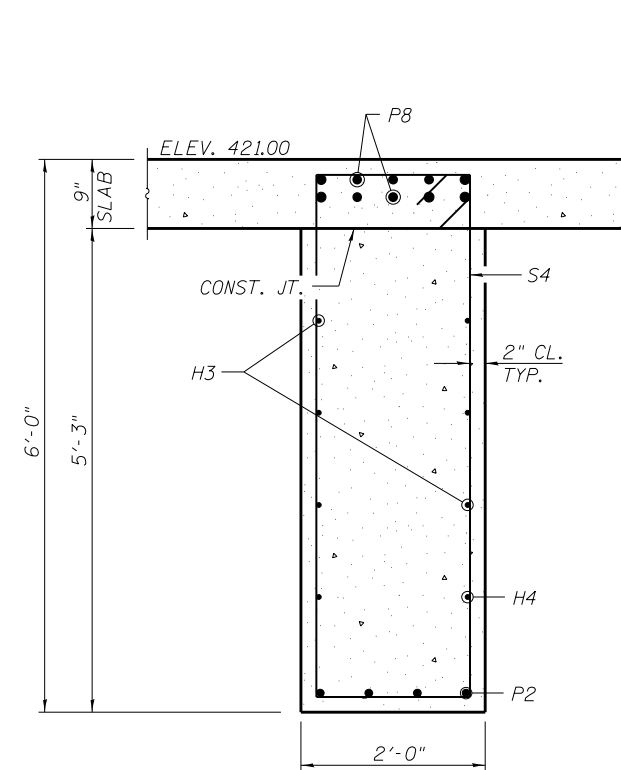
NOTE:  
BARS INDICATED THUS 3X3-#5 ETC. INDICATES  
3 LINES OF BARS WITH 3 LENGTHS PER LINE.



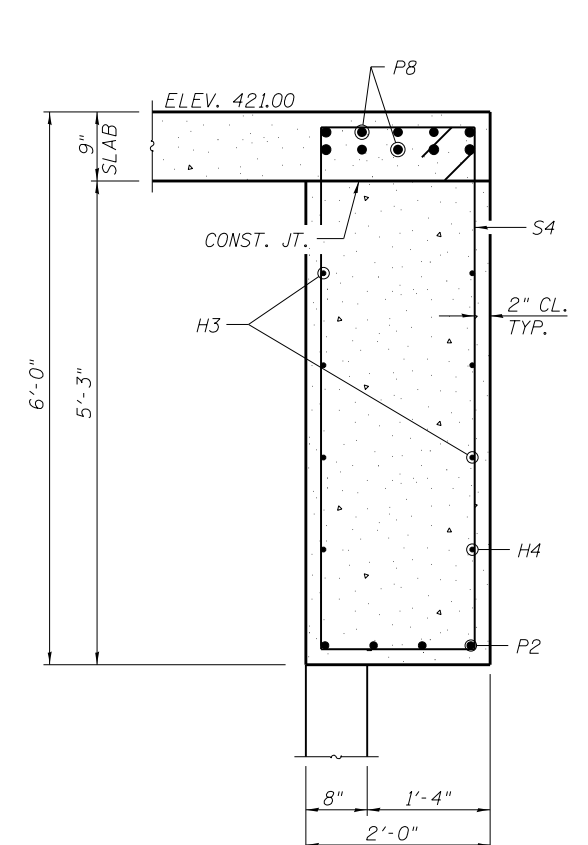
SECTION **1**  
S119



SECTION **2**  
S119



SECTION **3**  
S119



SECTION **4**  
S119

FILE NAME = G:\115\115110223\Work\_Drwnr\_3 MO Ave\_R12\AC000 Streets\_Grade\_Beam\_Plan.dgn