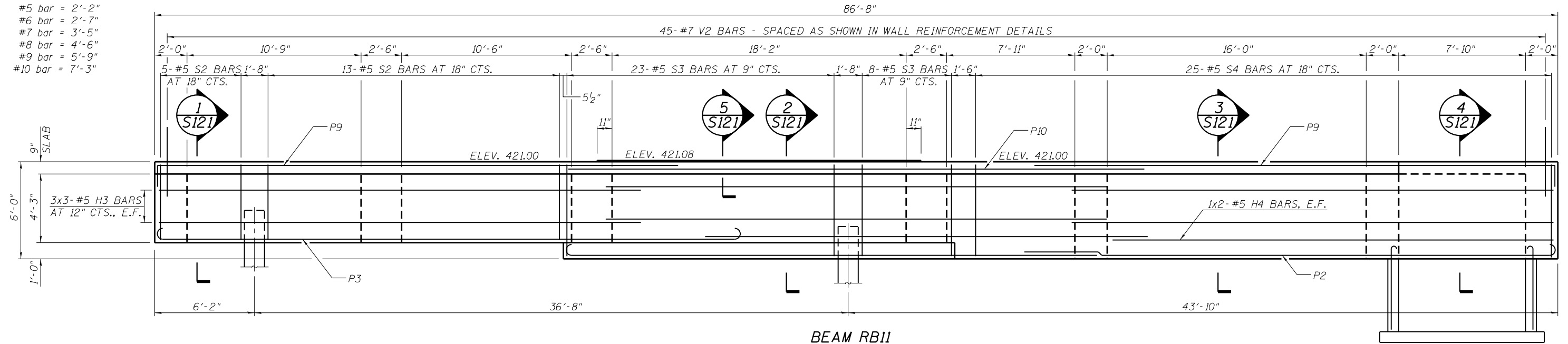


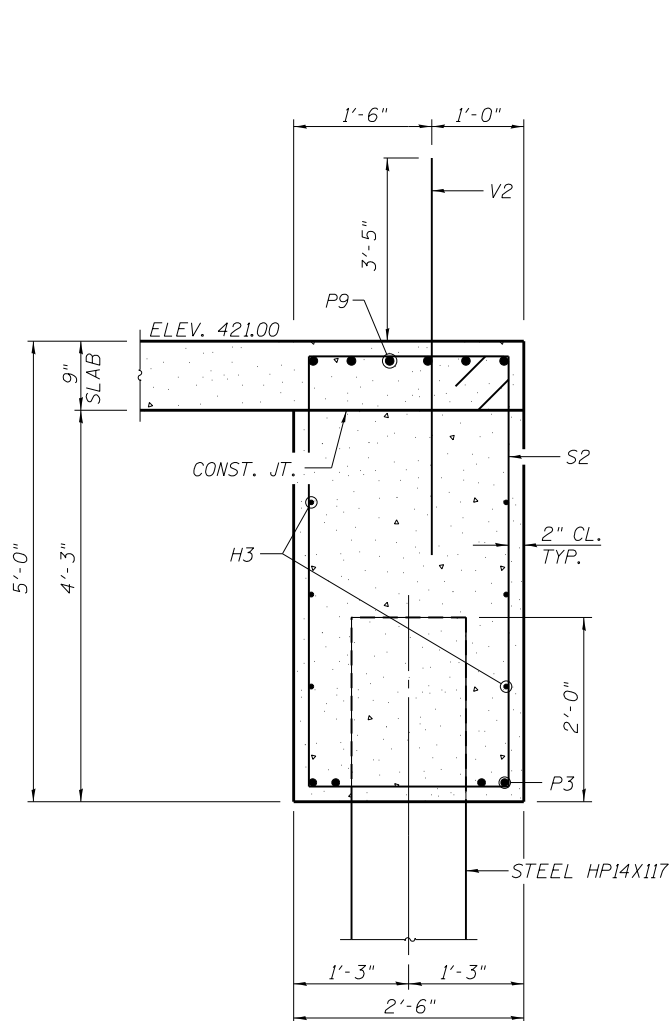
MINIMUM BAR LAP

- #5 bar = 2'-2"
- #6 bar = 2'-7"
- #7 bar = 3'-5"
- #8 bar = 4'-6"
- #9 bar = 5'-9"
- #10 bar = 7'-3"

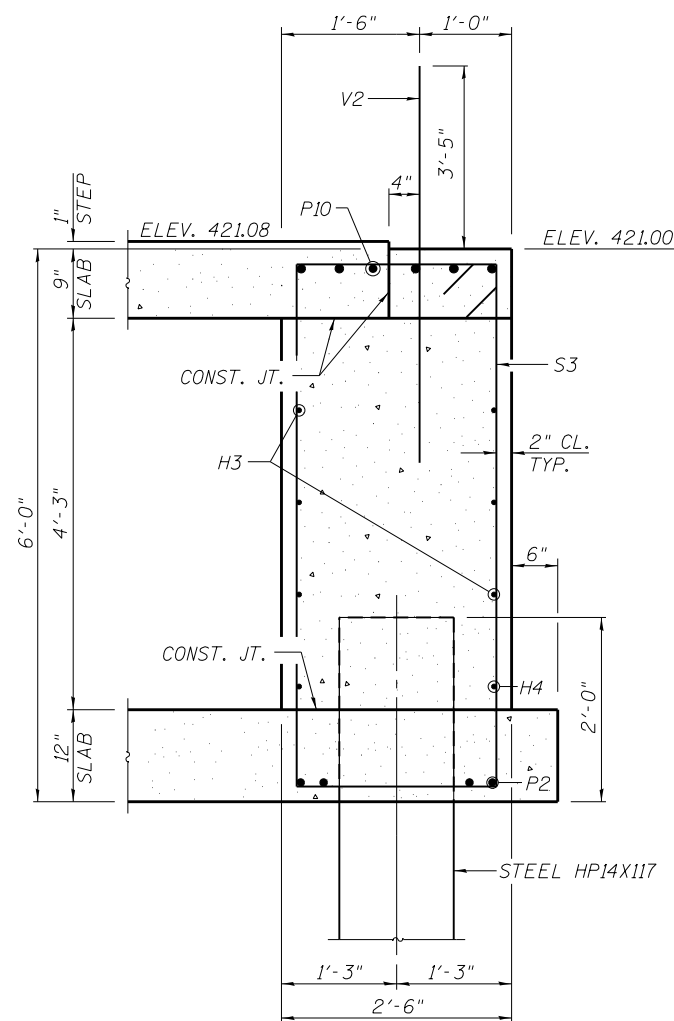


BEAM RB11
(LOOKING EAST)

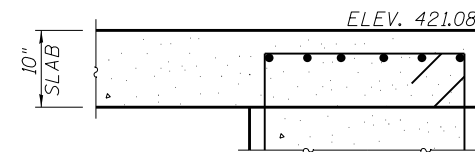
NOTE:
BARS INDICATED THUS 3X3-#5 ETC. INDICATES
3 LINES OF BARS WITH 3 LENGTHS PER LINE.



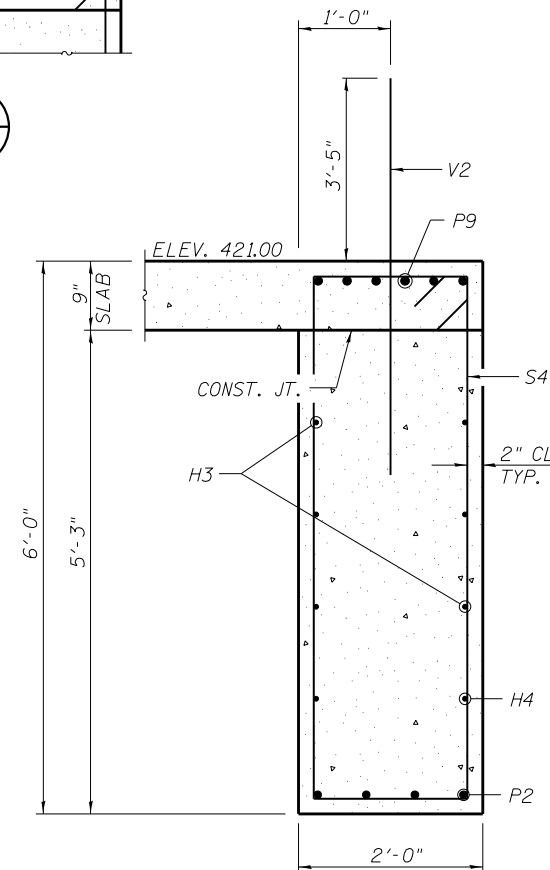
SECTION 1
S121



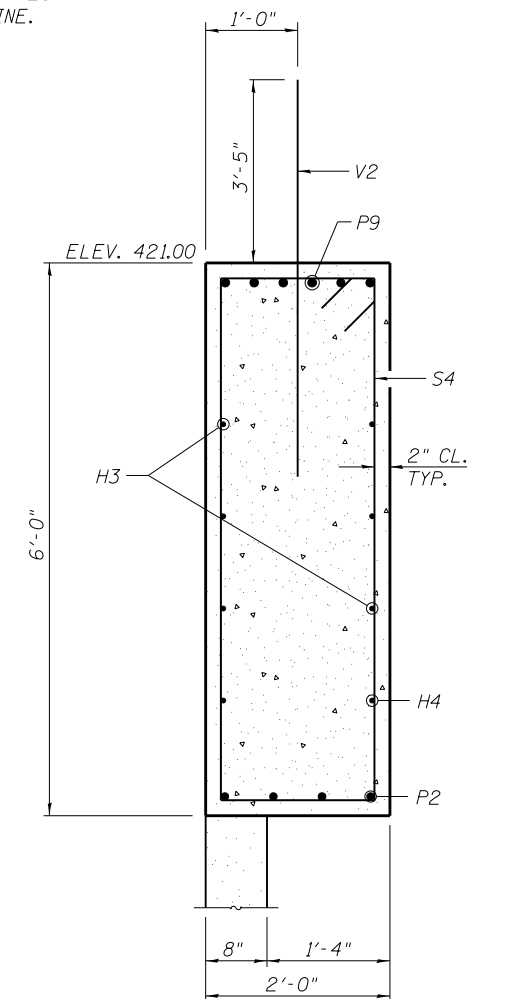
SECTION 2
S121



SECTION 5
AT DOOR S121



SECTION 3
S121



SECTION 4
S121

FILE NAME = G:\115\115110223\Work_Drwnr_3_M0_Ave_R12\ACAD\Structs\Grade Beam_Plan.dgn