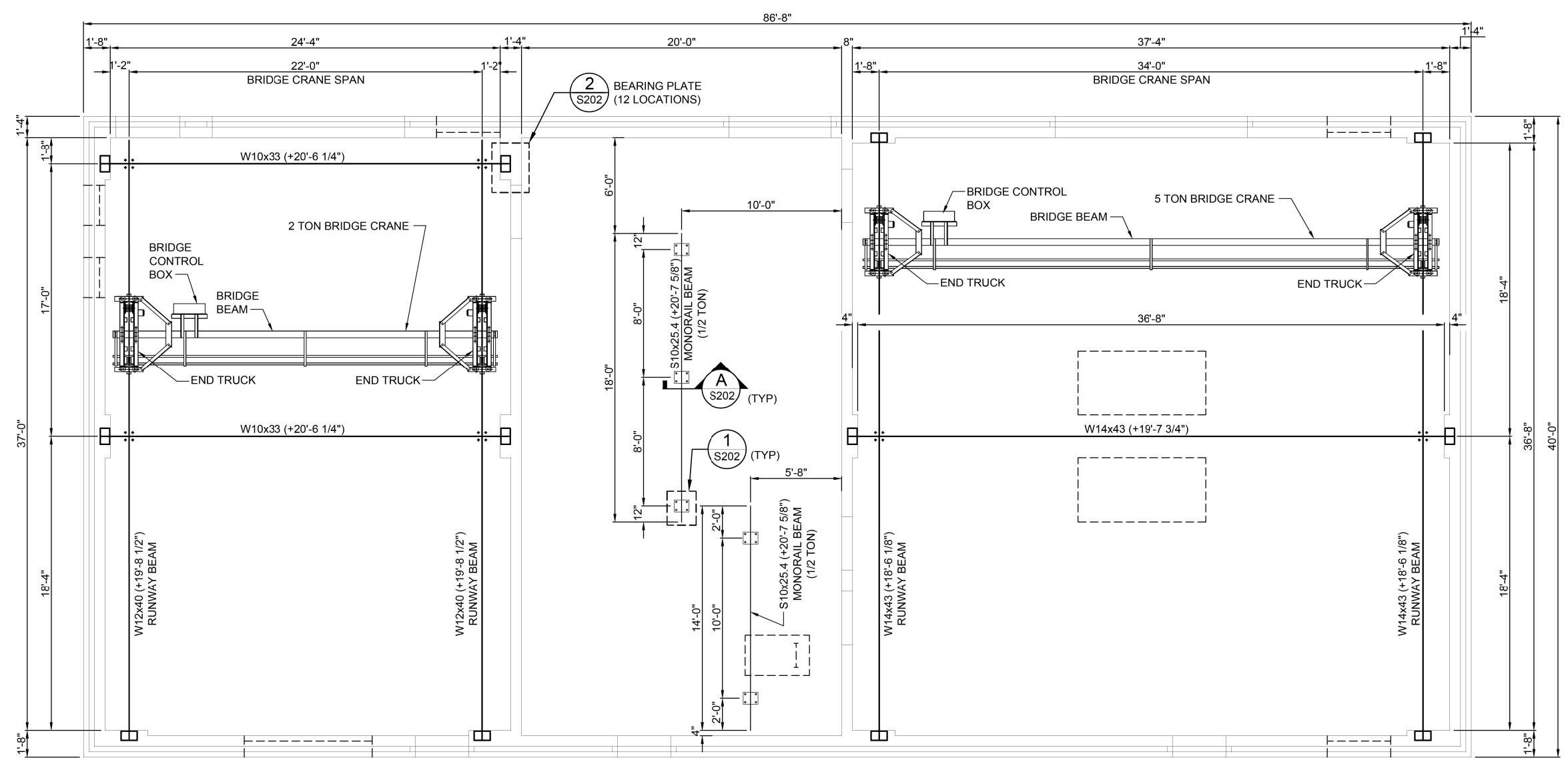
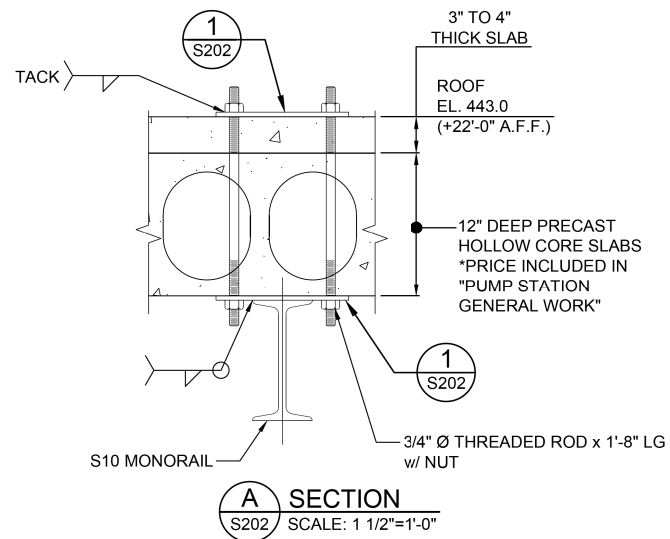


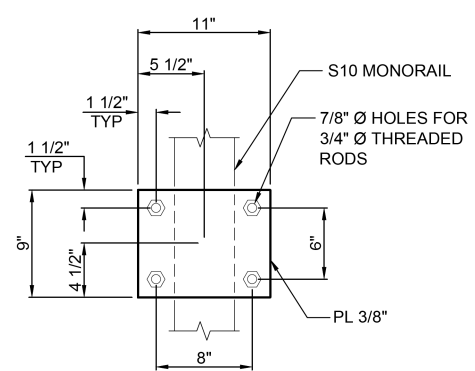
\*NOTE:  
 1) THE PRICE OF ALL HANDRAILS AND GRADES 36 AND 50 STRUCTURAL STEEL SHALL BE INCLUDED IN "PUMP STATION GENERAL WORK"



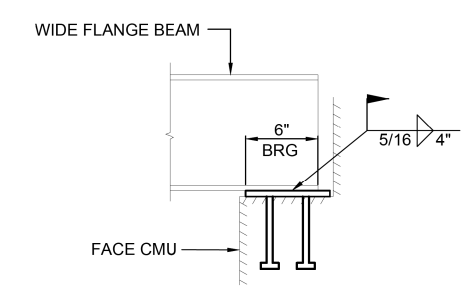
**MONORAIL AND BRIDGE CRANE FRAMING PLAN**  
 SCALE: 1/4" = 1'-0"



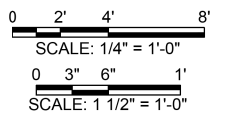
**A SECTION**  
 S202 SCALE: 1 1/2" = 1'-0"



**2 BEARING PLATE DETAIL**  
 S202 SCALE: 1 1/2" = 1'-0"



**B SECTION**  
 S202 SCALE: 1 1/2" = 1'-0"



FILE NAME = G:\115\115023\Work - Order 3 MO Ave. P12\ACADD Sheets\0876099-arch-KL.A\_S202.dwg

**KLINGNER & ASSOCIATES, P.C.**  
 Engineers • Architects • Surveyors

USER NAME = bgj  
 PLOT SCALE = 40.0000' / in.  
 PLOT DATE = 8/23/2014

DESIGNED -	seb	REVISED -	
DRAWN -	seb	REVISED -	
CHECKED -		REVISED -	
DATE -		REVISED -	

**STATE OF ILLINOIS**  
**DEPARTMENT OF TRANSPORTATION**

**WELL HOUSE BUILDING - FRAMING PLAN & DETAILS**  
**MISSOURI AVENUE DEEP WELL FACILITY**

SCALE: AS NOTED SHEET 2 OF 3 SHEETS STA. TO STA.

F.A.I. RTE.	SECTION	COUNTY	TOTAL SHEETS	SHEET NO.
64	82-4T-1	ST. CLAIR	185	103
CONTRACT NO. 76C99				
ILLINOIS FED. AID PROJECT				

**S202**