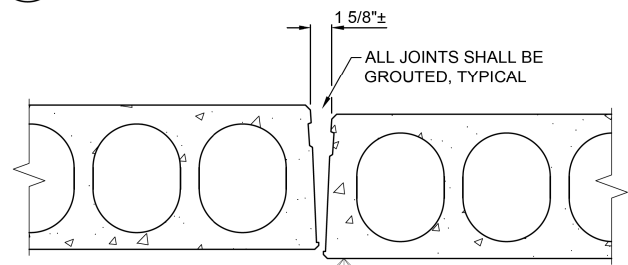
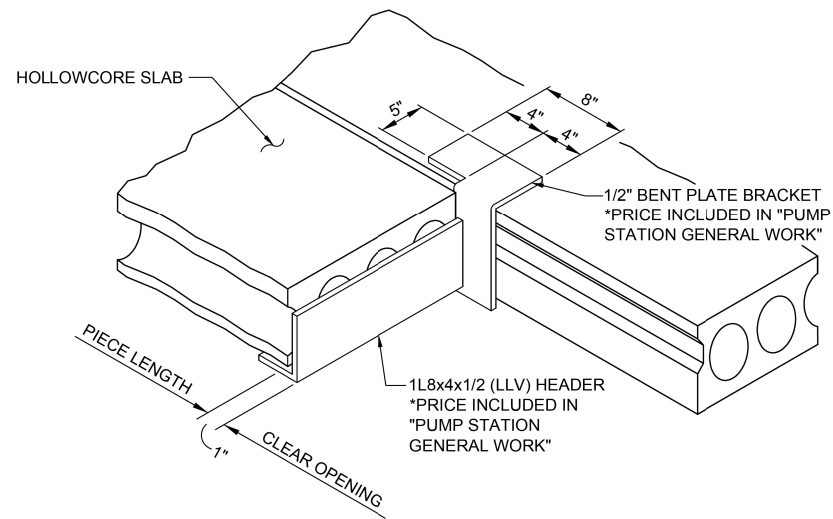


1 TYPICAL HOLLOW CORE SLAB DETAIL
 S301 SCALE: 1 1/2" = 1'-0" APPROXIMATE WEIGHT: 77 PSF

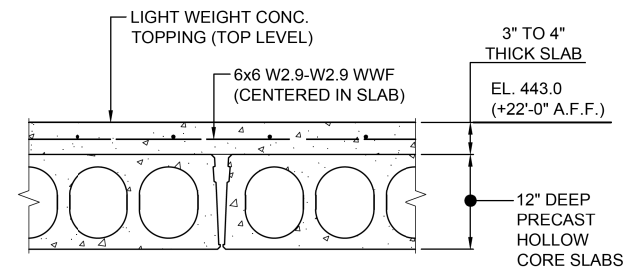


2 TYPICAL HOLLOW CORE JOINT DETAIL
 S301 SCALE: 1 1/2" = 1'-0"

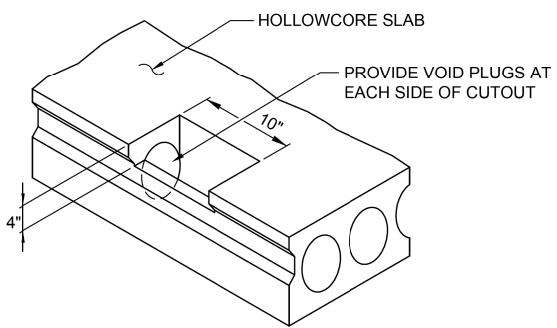


3 TYPICAL HEADER DETAIL
 S301 SCALE: NONE

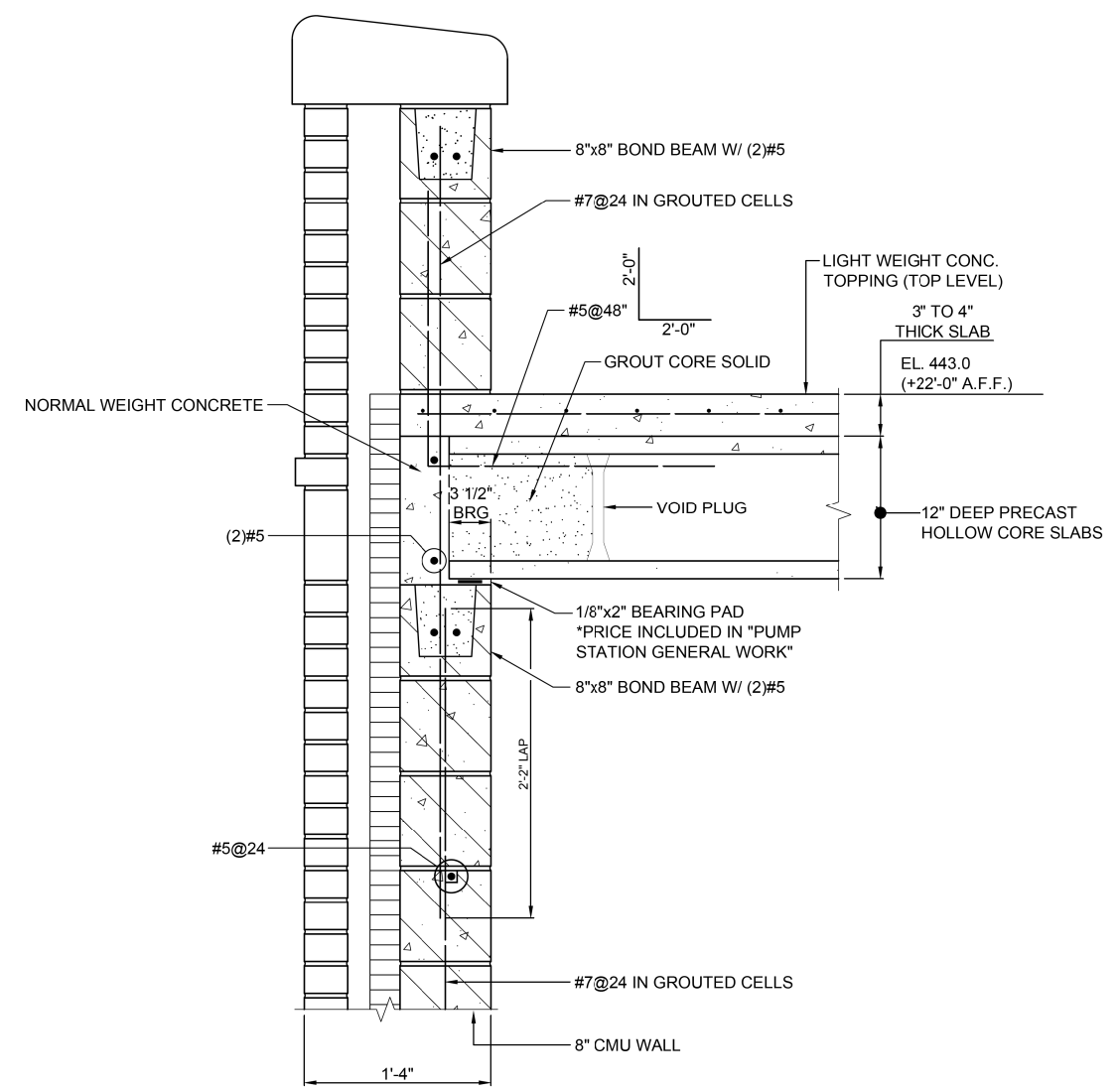
- *NOTE:
- 1) THE PRICE OF ALL MASONRY WORK (CMU, BRICK, REINF., ETC.) SHALL BE INCLUDED IN "PUMP STATION GENERAL WORK"
 - 2) THE PRICE OF ALL HOLLOWCORE SLABS AND CONCRETE TOPPING SHALL BE INCLUDED IN "PUMP STATION GENERAL WORK"



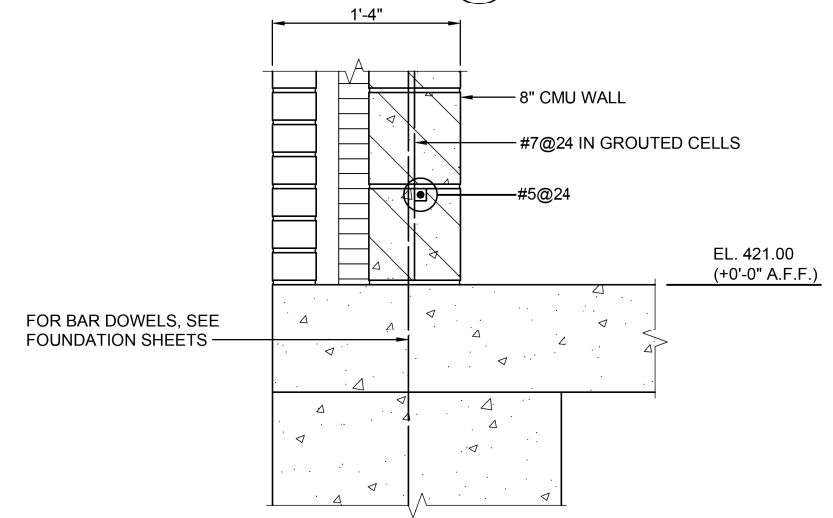
4 TYPICAL SLAB CONSTRUCTION
 S301 SCALE: 1 1/2" = 1'-0"



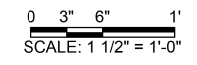
5 TYPICAL CUTOUT DETAIL
 S301 SCALE: NONE



A SECTION
 S301 SCALE: 1 1/2" = 1'-0"



B SECTION
 S301 SCALE: 1 1/2" = 1'-0"



FILE NAME = G:\115\1150223\Work_Drwnr_3_M0_Avg_P12\ACADD_Sheets\DB76699-struct\KLA_S301.dgn

USER NAME = bgj	DESIGNED - seb	REVISED -
PLOT SCALE = 48.0000' / in.	DRAWN - seb	REVISED -
PLOT DATE = 8/23/2014	CHECKED -	REVISED -
	DATE -	REVISED -