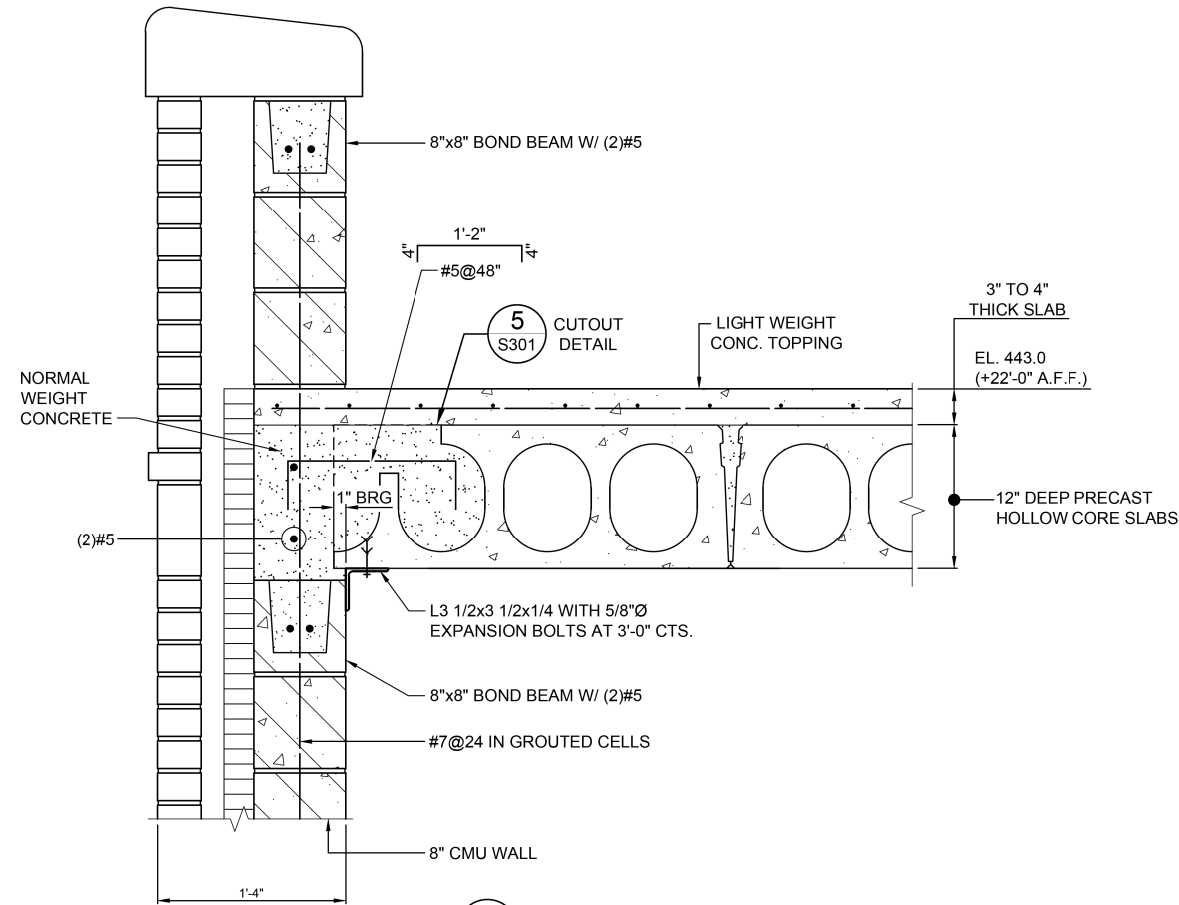
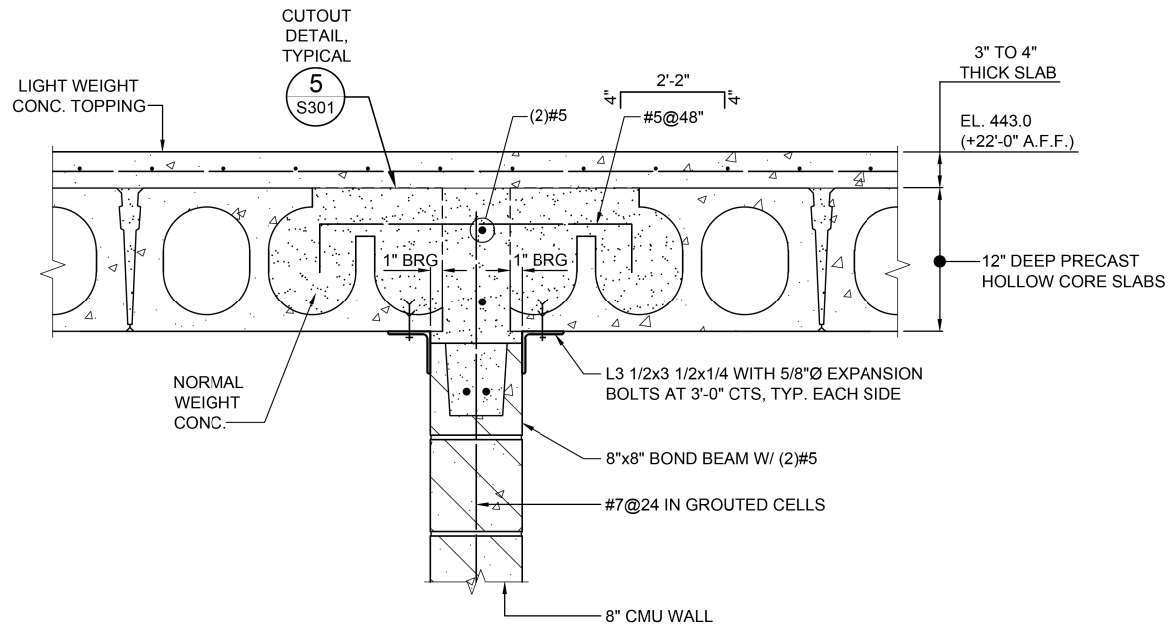


\*NOTE:

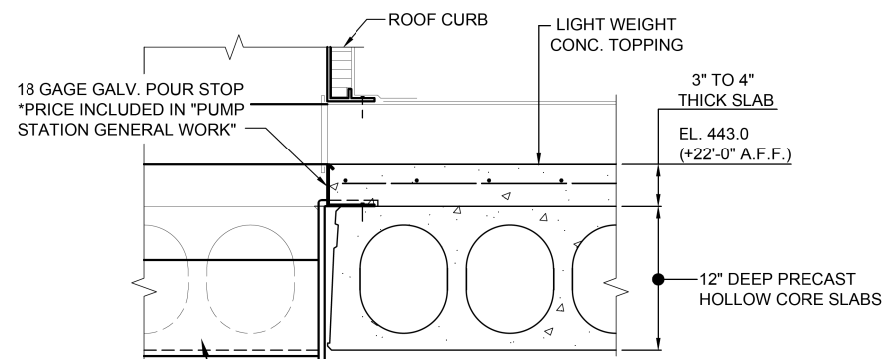
- 1) THE PRICE OF ALL MASONRY WORK (CMU, BRICK, REINF., ETC.) SHALL BE INCLUDED IN "PUMP STATION GENERAL WORK"
- 2) THE PRICE OF ALL HOLLOWCORE SLABS AND CONCRETE TOPPING SHALL BE INCLUDED IN "PUMP STATION GENERAL WORK"
- 3) THE PRICE OF GRADES 36 AND 50 STRUCTURAL STEEL SHALL BE INCLUDED IN "PUMP STATION GENERAL WORK"



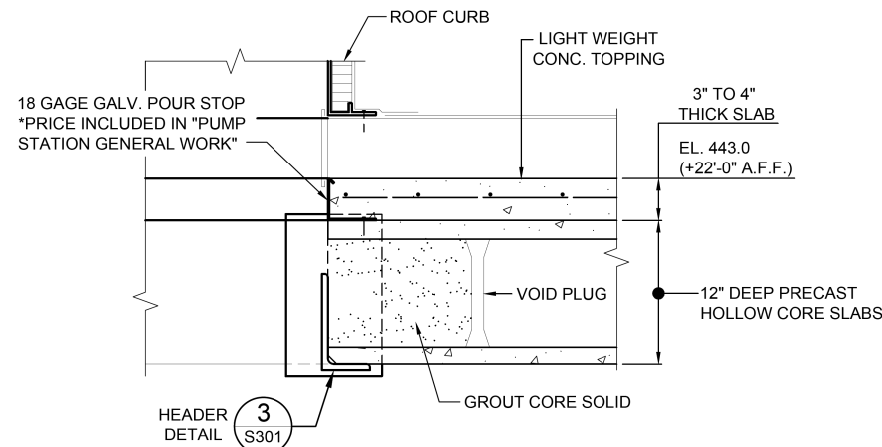
**A SECTION**  
S302 SCALE: 1 1/2"=1'-0"



**B SECTION**  
S302 SCALE: 1 1/2"=1'-0"



**C SECTION**  
S302 SCALE: 1 1/2"=1'-0"



**D SECTION**  
S302 SCALE: 1 1/2"=1'-0"

0 3" 6" 1'  
SCALE: 1 1/2" = 1'-0"

FILE NAME = G:\115\115023\Work - Drawn - 3 MO Ave Puz\ACADD Sheets\DB76699-struct\KLA\_S302.dwg

**KLINGNER & ASSOCIATES, P.C.**  
Engineers • Architects • Surveyors

USER NAME = bgj  
PLOT SCALE = 48.0000' / in.  
PLOT DATE = 8/23/2014

DESIGNED - seb  
DRAWN - seb  
CHECKED -  
DATE -

REVISED -  
REVISED -  
REVISED -  
REVISED -

STATE OF ILLINOIS  
DEPARTMENT OF TRANSPORTATION

WELL HOUSE BUILDING - STRUCTURAL DETAILS  
MISSOURI AVENUE DEEP WELL FACILITY

SCALE: AS NOTED SHEET 2 OF 10 SHEETS STA. TO STA.

F.A.I. RTE.	SECTION	COUNTY	TOTAL SHEETS	SHEET NO.
64	82-4T-1	ST. CLAIR	185	106
CONTRACT NO. 76C99				
ILLINOIS FED. AID PROJECT				

S302