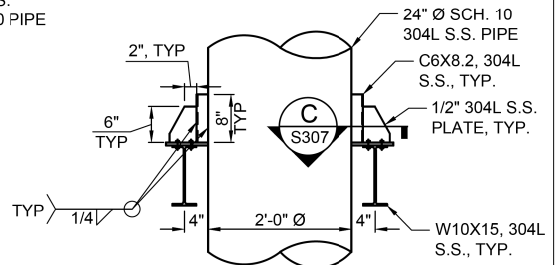
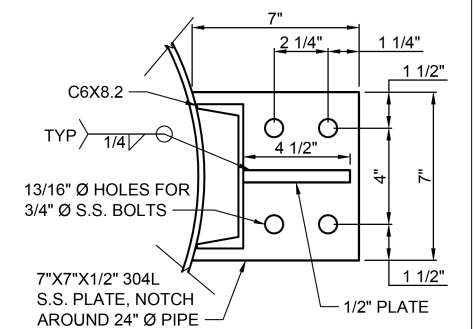


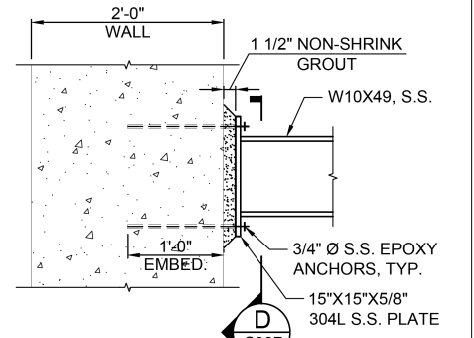
- *NOTE:
- 1) THE PRICE OF ALL ALUMINUM MATERIAL, SHAPES AND GRATING SHALL BE INCLUDED IN "PUMP STATION GENERAL WORK"
 - 2) THE PRICE OF ALL STAINLESS STEEL BOLTS AND MATERIAL SHALL BE INCLUDED IN "PUMP STATION GENERAL WORK"
 - 3) THE PRICE OF ALL HANDRAILS AND GRADES 36 AND 50 STRUCTURAL STEEL SHALL BE INCLUDED IN "PUMP STATION GENERAL WORK"
 - 4) THE PRICE OF SEISMIC RESTRAINTS SHALL BE INCLUDED IN "PUMP STATION GENERAL WORK"



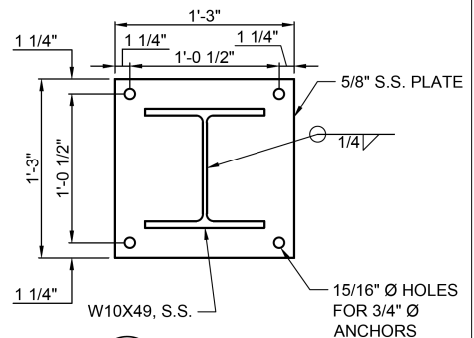
B SECTION
S307 SCALE: 3/4"=1'-0"



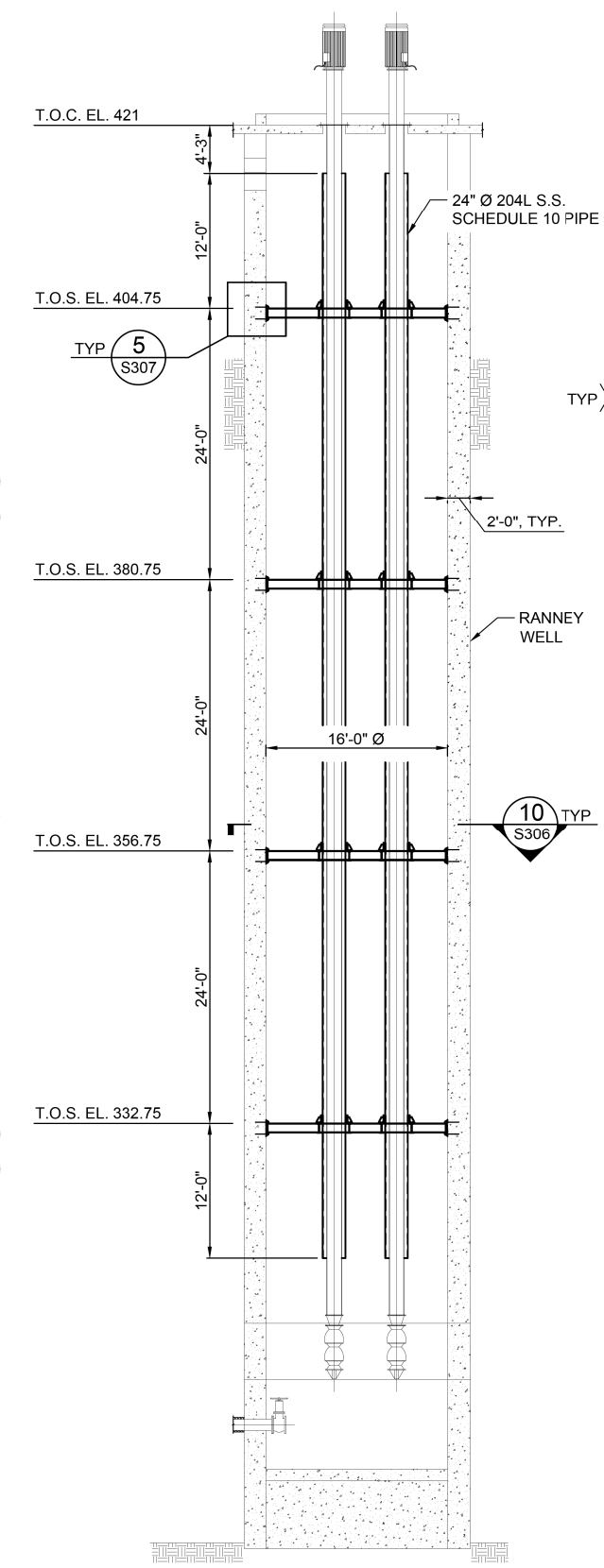
C SECTION
S307 SCALE: 3"=1'-0"



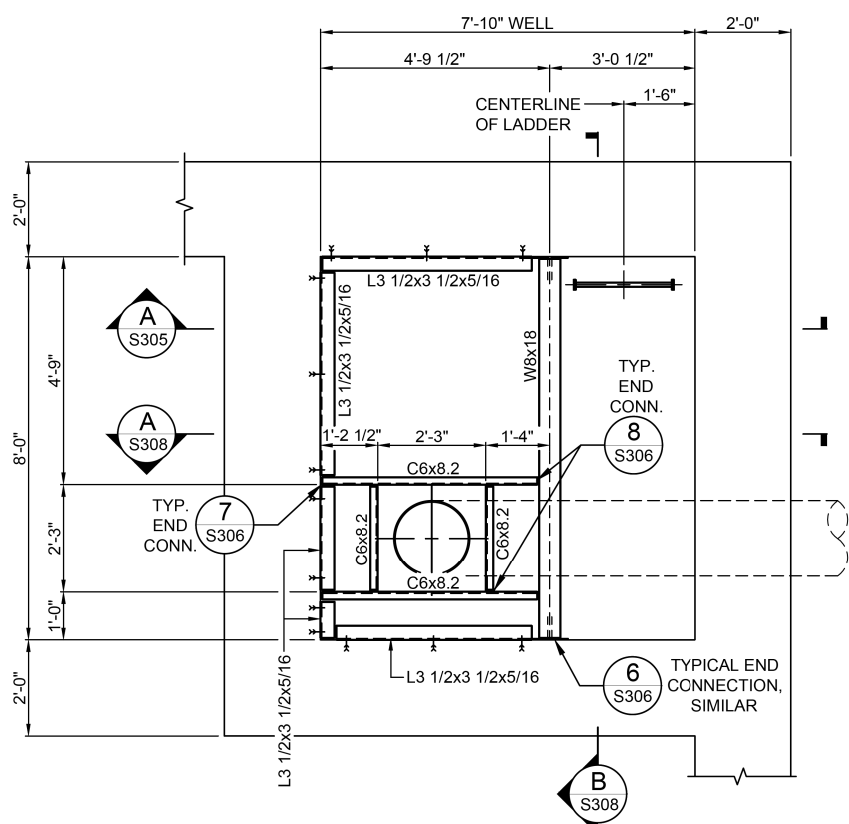
D SECTION
S307 SCALE: 1 1/2"=1'-0"



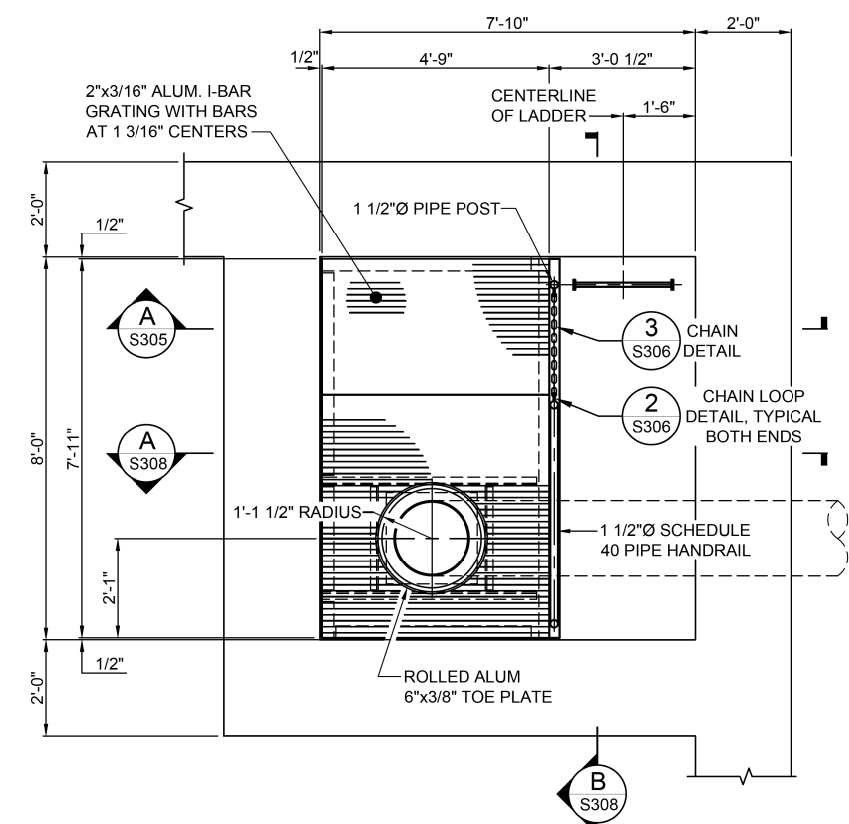
5 DETAIL
S307 SCALE: 1"=1'-0"



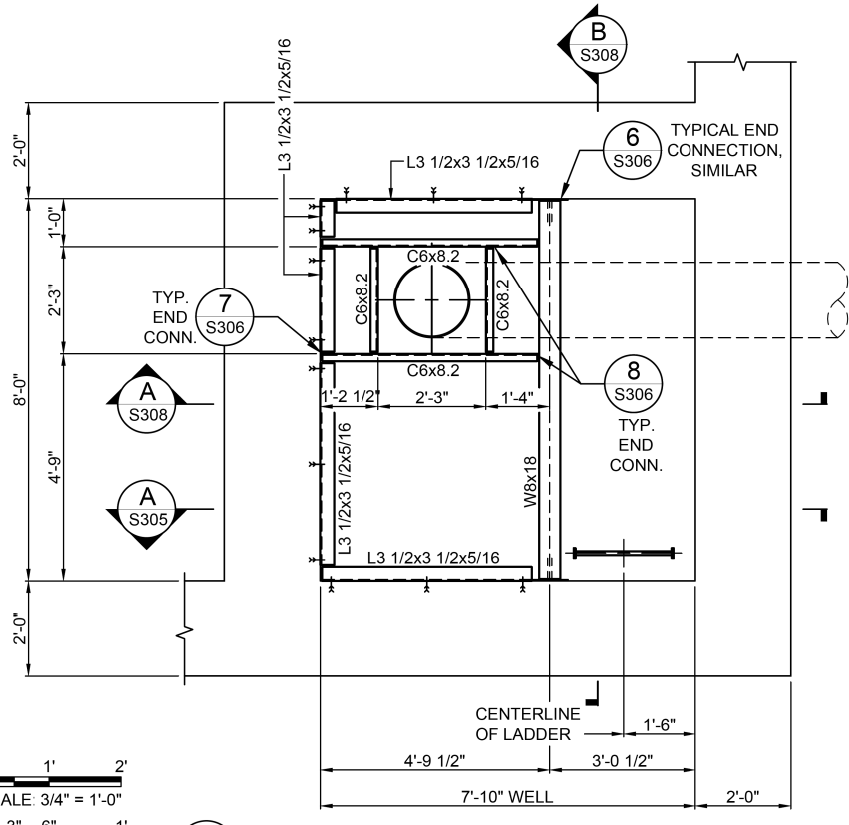
A SECTION - SEISMIC RESTRAINT
S307 SCALE: 1/8"=1'-0"



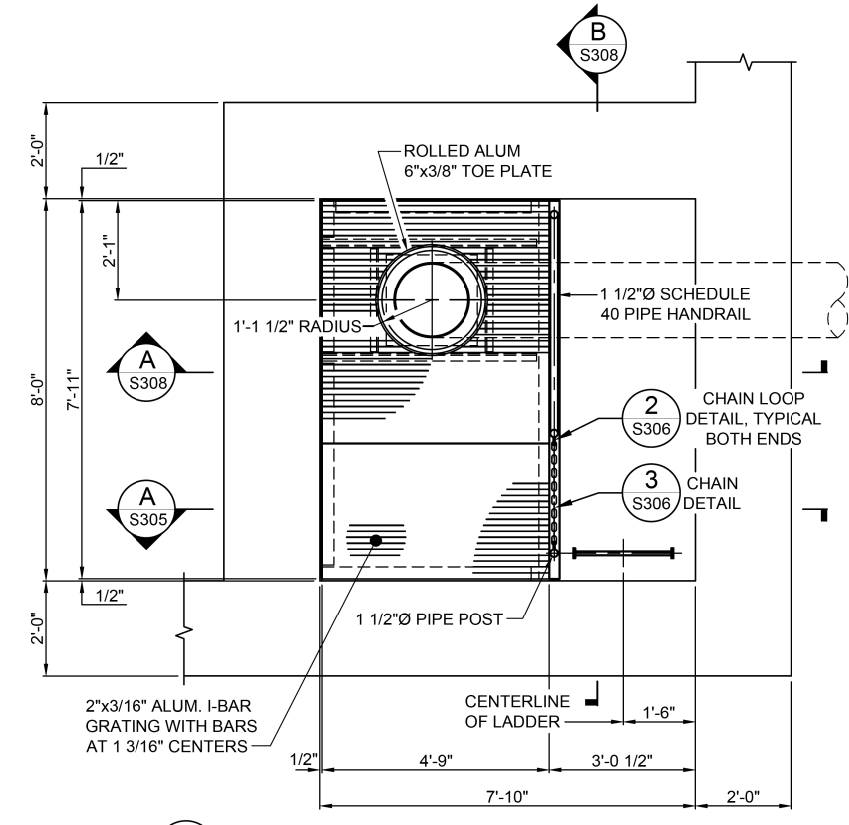
1 SOUTHEAST COLLECTOR WELL FRAMING PLAN
S307 SCALE: 1/2"=1'-0" GRATING TOP EL. 414.00 (-7'-0") TOP OF FRAMING (-7'-2"), TYPICAL U.N.O.



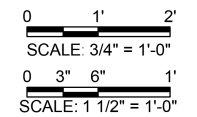
2 SOUTHEAST COLLECTOR WELL FRAMING PLAN
S307 SCALE: 1/2"=1'-0" GRATING TOP EL. 414.00 (-7'-0")



3 SOUTHEAST COLLECTOR WELL FRAMING PLAN
S307 SCALE: 1/2"=1'-0" GRATING TOP EL. 414.00 (-7'-0")



4 SOUTHEAST COLLECTOR WELL FRAMING PLAN
S307 SCALE: 1/2"=1'-0" GRATING TOP EL. 414.00 (-7'-0")



FILE NAME = G:\115\110223\Work_Drwnr_3_M0_Ave_P12\ACADD_Sheets\0876699-ah-t-KL.A_S307.dgn

KLINGNER & ASSOCIATES, P.C.
Engineers • Architects • Surveyors

USER NAME = seb	DESIGNED - ADL	REVISED - AMS - 9/25/14
PLOT SCALE = 48.0000' / in.	DRAWN - ADL	REVISED -
PLOT DATE = 9/25/2014	CHECKED -	REVISED -
	DATE -	REVISED -

STATE OF ILLINOIS
DEPARTMENT OF TRANSPORTATION

WELL HOUSE BUILDING - STRUCTURAL DETAILS
MISSOURI AVENUE DEEP WELL FACILITY
SCALE: AS NOTED SHEET 7 OF 10 SHEETS STA. TO STA.

F.A.I. RTE. 64	SECTION 82-4T-1	COUNTY ST. CLAIR	TOTAL SHEETS 185	SHEET NO. 111
CONTRACT NO. 76C99			ILLINOIS FED. AID PROJECT	

S307