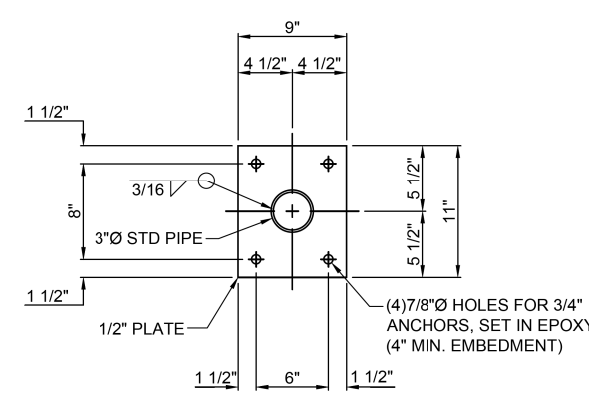
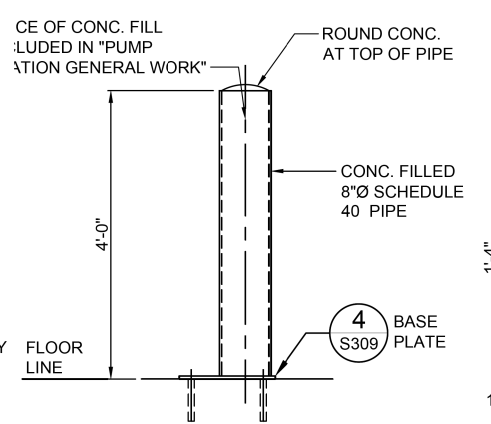


**1 GUARDRAIL ELEVATION**  
 S309 SCALE: 3/4" = 1'-0"  
 NOTE: PROVIDE WEEP HOLES IN GUARDRAIL POSTS AND RAILS

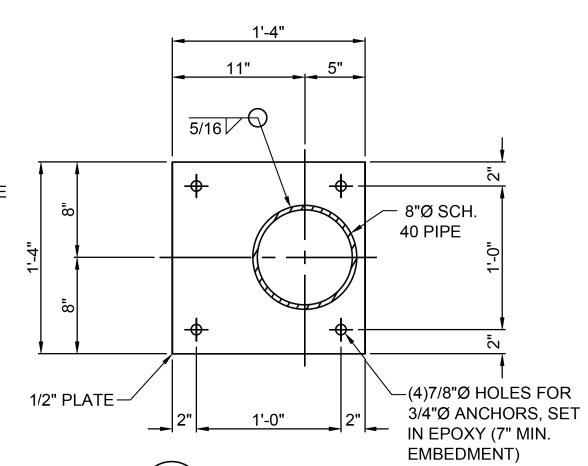
- \*NOTE:
- 1) THE PRICE OF ACCESS DOOR AND FRAME SHALL BE INCLUDED IN "PUMP STATION GENERAL WORK"
  - 2) THE PRICE OF ALL HOLLOWCORE SLABS AND CONCRETE TOPPING SHALL BE INCLUDED IN "PUMP STATION GENERAL WORK"
  - 3) THE PRICE OF ALL HANDRAILS AND GRADES 36 AND 50 STRUCTURAL STEEL SHALL BE INCLUDED IN "PUMP STATION GENERAL WORK"



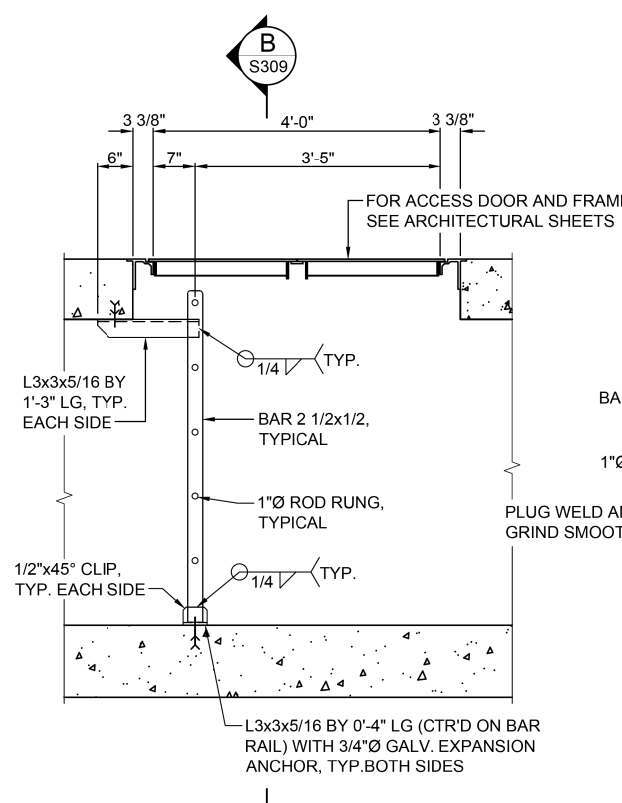
**2 POST BASE PLATE**  
 S309 SCALE: 1 1/2" = 1'-0"



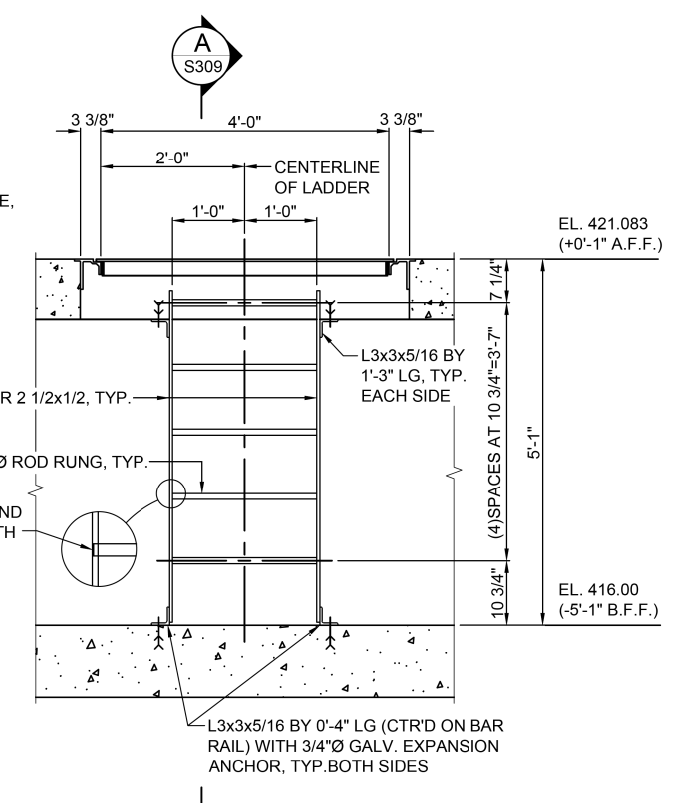
**3 BOLLARD DETAIL**  
 S309 SCALE: 3/4" = 1'-0"



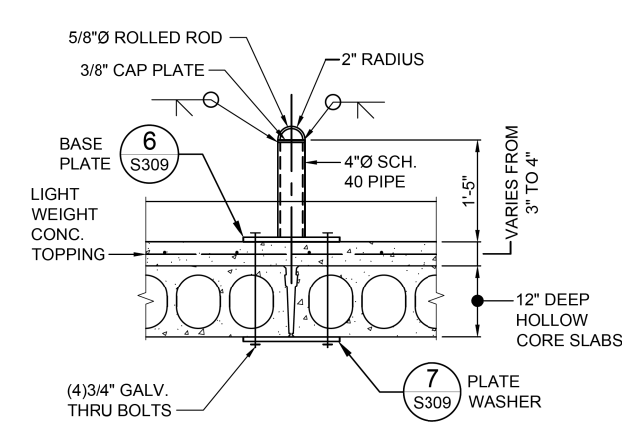
**4 BASE PLATE**  
 S309 SCALE: 1 1/2" = 1'-0"



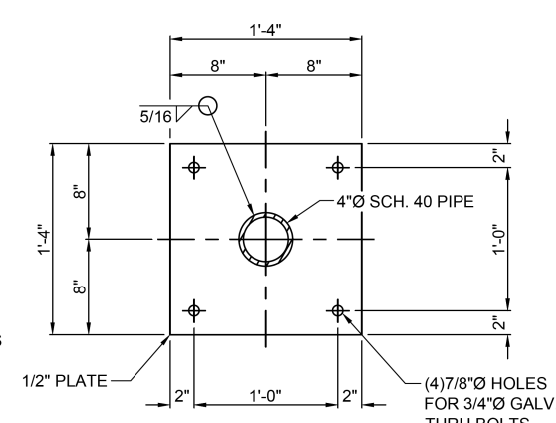
**A SECTION**  
 S309 SCALE: 3/4" = 1'-0"



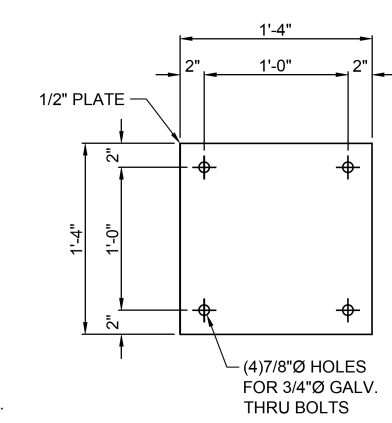
**B SECTION**  
 S309 SCALE: 3/4" = 1'-0"



**5 TIE-OFF DETAIL**  
 S309 SCALE: 3/4" = 1'-0"

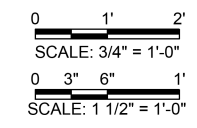


**6 BASE PLATE**  
 S309 SCALE: 1 1/2" = 1'-0"



**7 PLATE WASHER**  
 S309 SCALE: 1 1/2" = 1'-0"

EL. 421.083  
 (+0'-1" A.F.F.)  
 EL. 416.00  
 (-5'-1" B.F.F.)



FILE NAME = G:\115\115023\Work - 3 MO Ave - P12\AC000 Sheets\0876699-struct-KL.A\_S309.dwg

USER NAME = bgj	DESIGNED - seb	REVISED -
PLOT SCALE = 40.0000' / in.	DRAWN - seb	REVISED -
PLOT DATE = 8/23/2014	CHECKED -	REVISED -
	DATE -	REVISED -