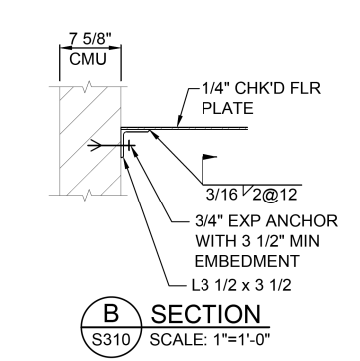
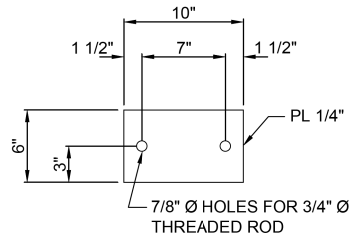


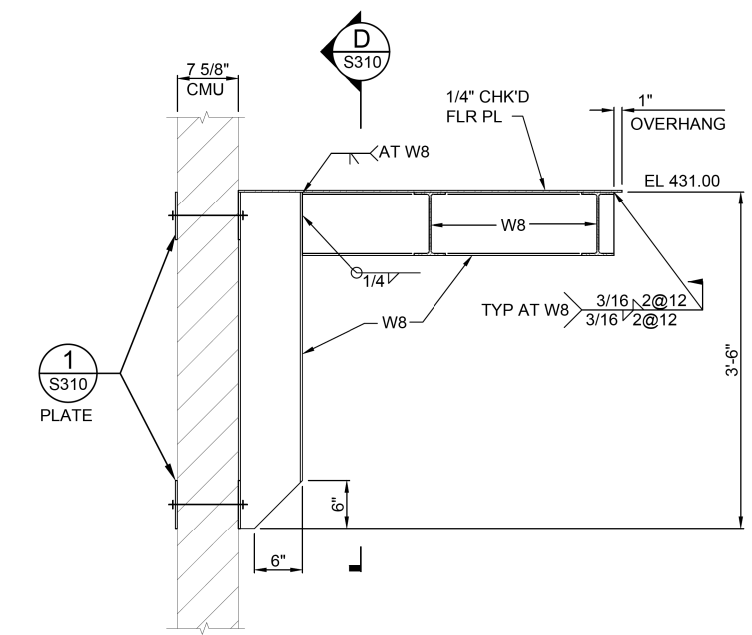
4 CONDENSER PLATFORM FRAMING PLAN
S310 SCALE: 1/2" = 1'-0"



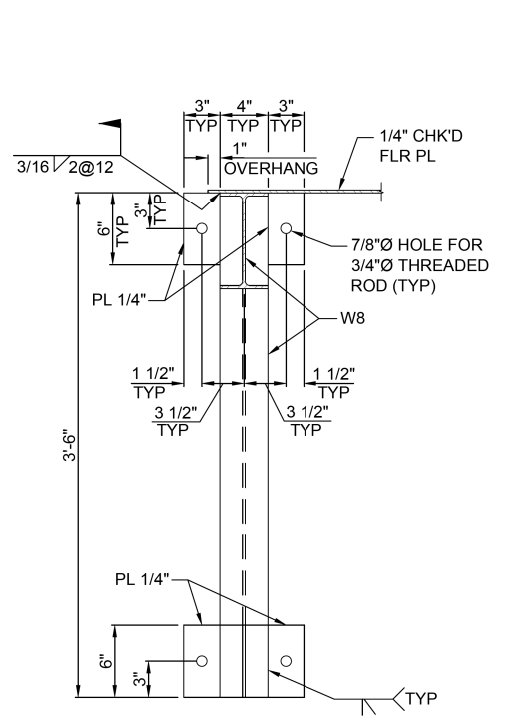
B SECTION
S310 SCALE: 1" = 1'-0"



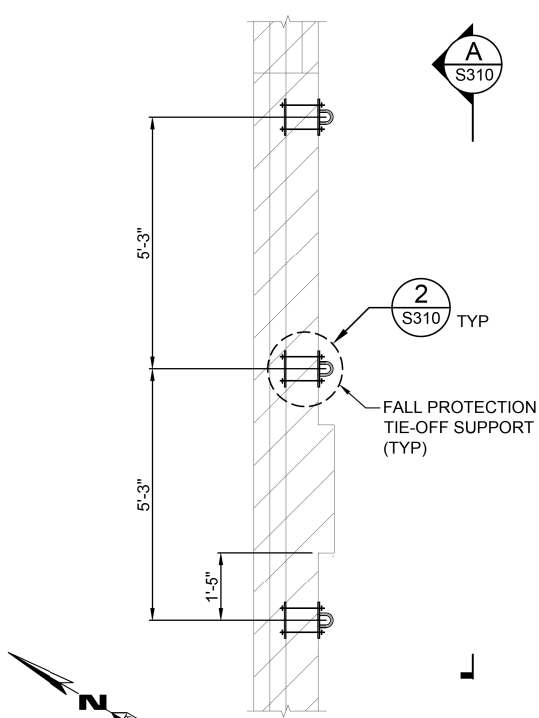
1 DETAIL-PLATE
S310 SCALE: 1 1/2" = 1'-0"



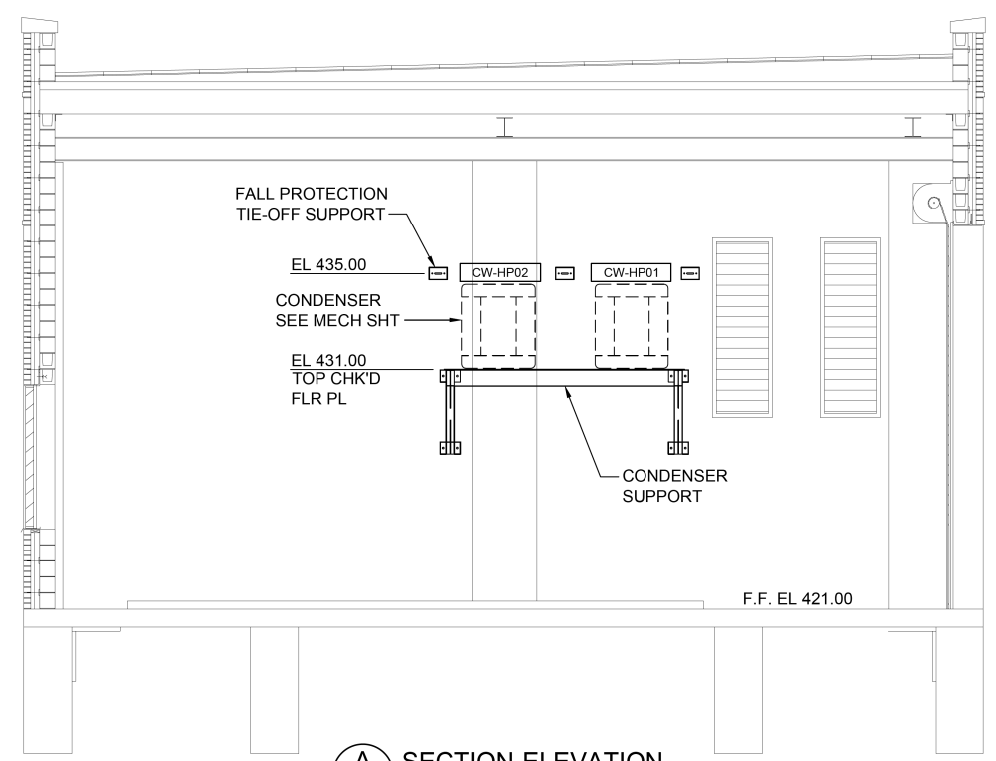
C SECTION
S310 SCALE: 1" = 1'-0"



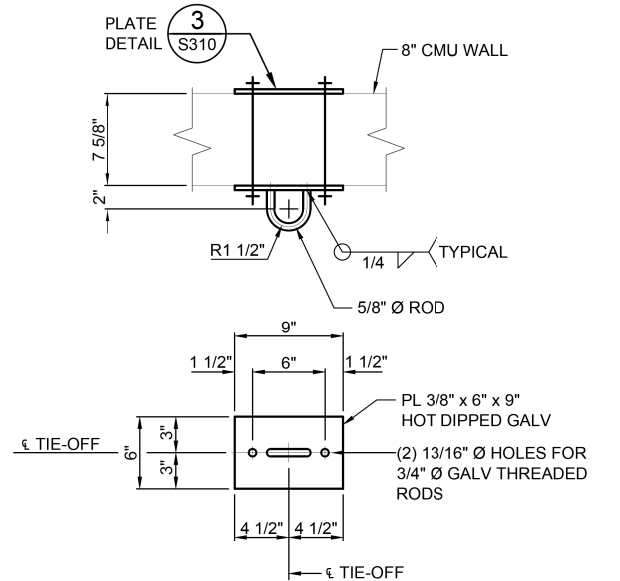
D SECTION
S310 SCALE: 1 1/2" = 1'-0"



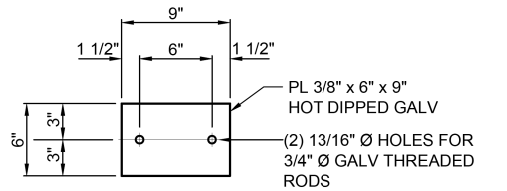
5 CONDENSER PLATFORM TIE-OFF PLAN
S310 SCALE: 1/2" = 1'-0"



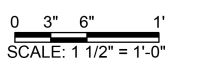
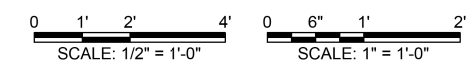
A SECTION-ELEVATION
S310 SCALE: 1/4" = 1'-0"



2 FALL PROTECTION TIE-OFF DETAIL
S310 SCALE: 1 1/2" = 1'-0"



3 PLATE DETAIL
S310 SCALE: 1 1/2" = 1'-0"



FILE NAME = G:\115\115023\Work_Drwnr_3_M0_Avg_P12\ACADD_Sheets\DB76599-ahc-KL.A_S310.dgn

KLINGNER & ASSOCIATES, P.C.
Engineers • Architects • Surveyors

USER NAME = bgj	DESIGNED - seb	REVISED -
PLOT SCALE = 40.0000' / in.	DRAWN - seb	REVISED -
PLOT DATE = 8/23/2014	CHECKED -	REVISED -
	DATE -	REVISED -

STATE OF ILLINOIS
DEPARTMENT OF TRANSPORTATION

WELL HOUSE BUILDING - STRUCTURAL DETAILS
MISSOURI AVENUE DEEP WELL FACILITY

SCALE: AS NOTED SHEET 10 OF 10 SHEETS STA. TO STA.

F.A.I. RTE. 64	SECTION 82-4T-1	COUNTY ST. CLAIR	TOTAL SHEETS 185	SHEET NO. 114
ILLINOIS FED. AID PROJECT			CONTRACT NO. 76C99	

S310