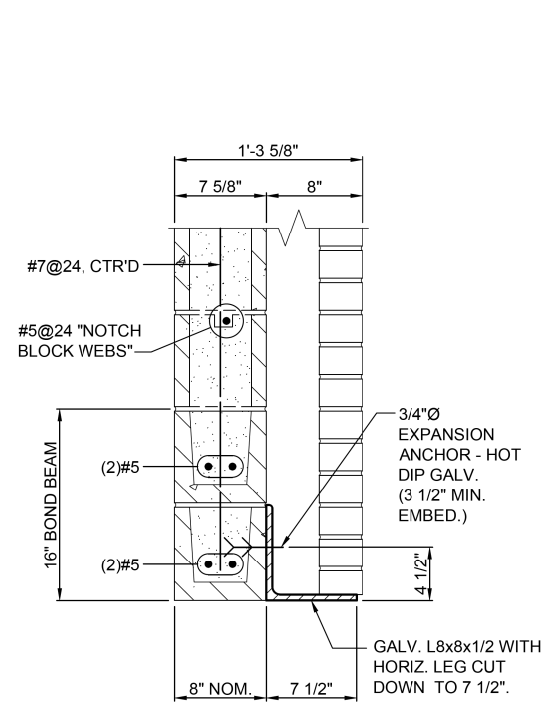
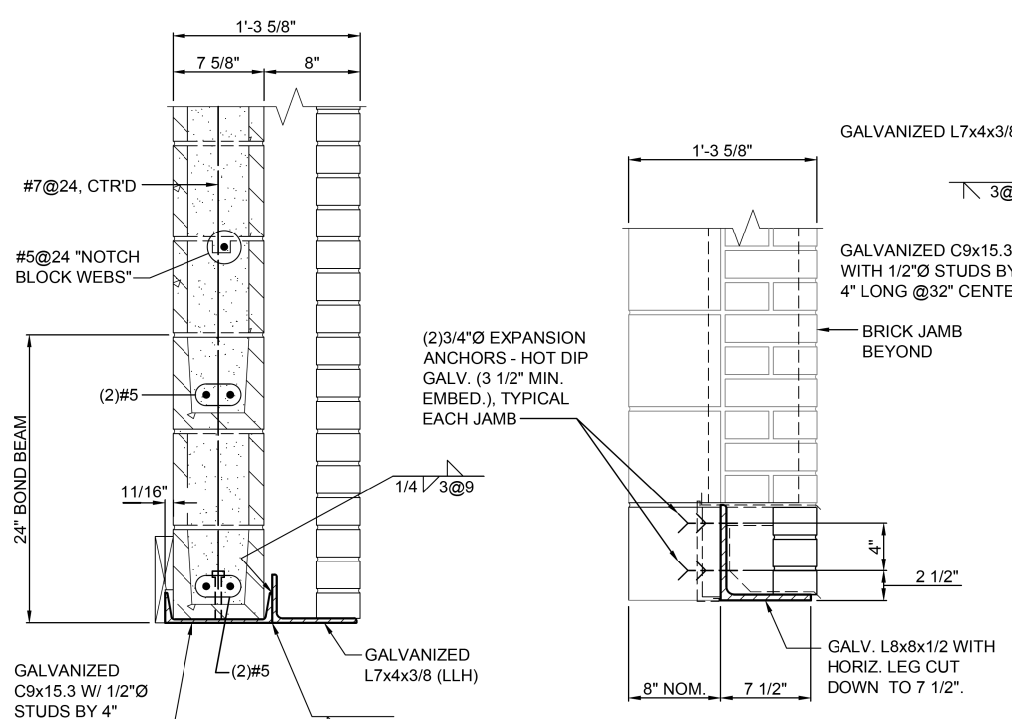


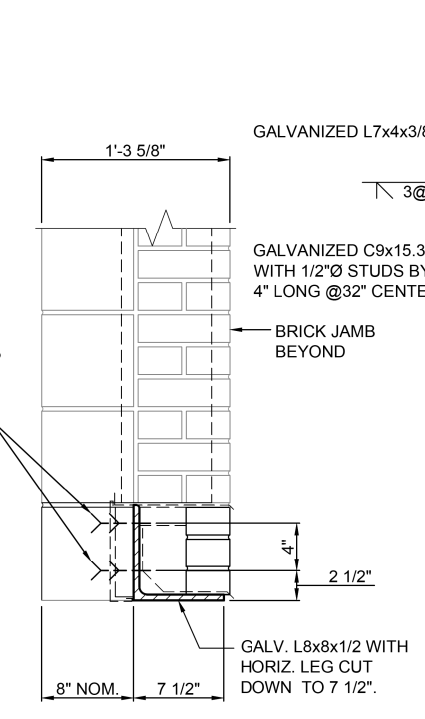
FILE NAME = G:\115\1150223\Work - Drawn - P\2\ACD00 Sheets\01\B76599-arch-KL.A\_S4-4.dwg



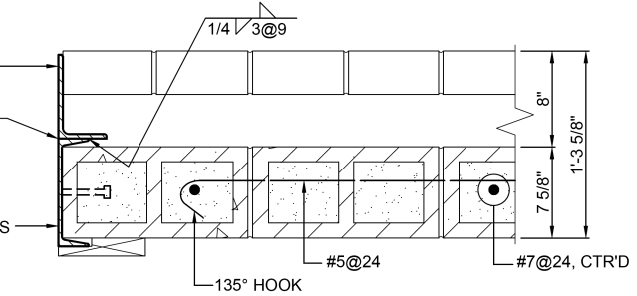
**A HEAD SECTION**  
S403 SCALE: 1 1/2"=1'-0"



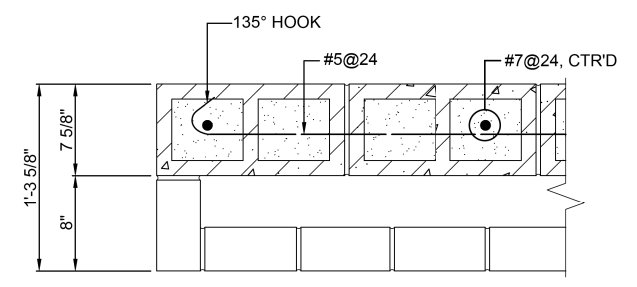
**B HEAD SECTION**  
S403 SCALE: 1 1/2"=1'-0"



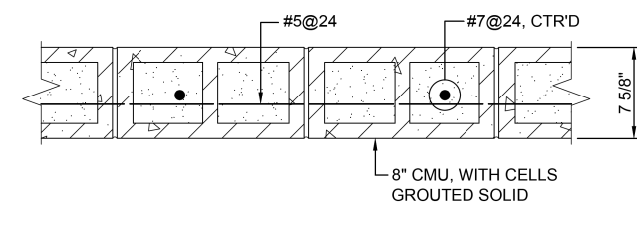
**C HEAD SECTION**  
S403 SCALE: 1 1/2"=1'-0"



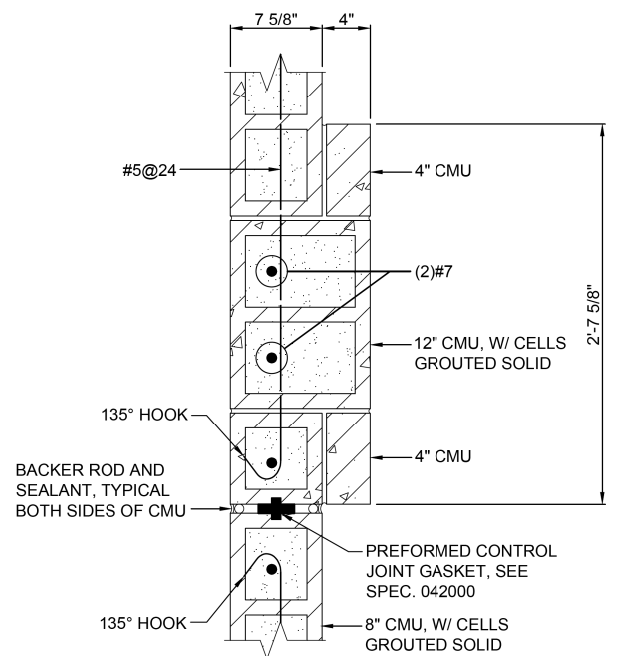
**1 JAMB DETAIL**  
S403 SCALE: 1 1/2"=1'-0"



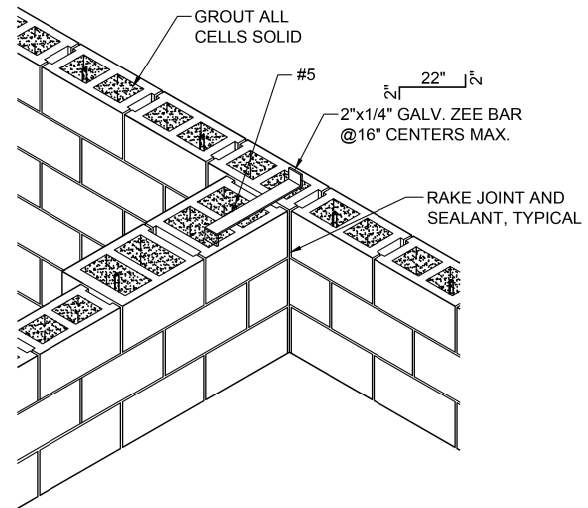
**5 TYPICAL DOOR / GRILLE JAMB DETAIL**  
S403 SCALE: 1 1/2"=1'-0"



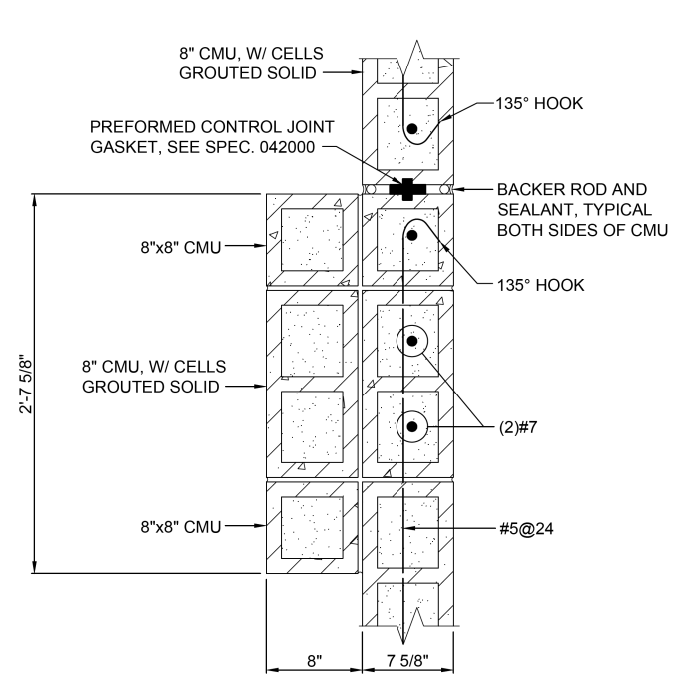
**2 TYPICAL INTERIOR WALL CONSTRUCTION**  
S403 SCALE: 1 1/2"=1'-0"



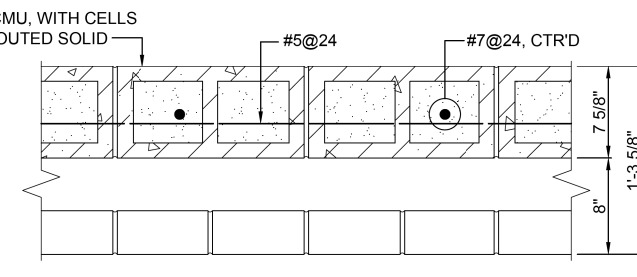
**6 CONTROL JOINT / PILASTER DETAIL**  
S403 SCALE: 1 1/2"=1'-0"



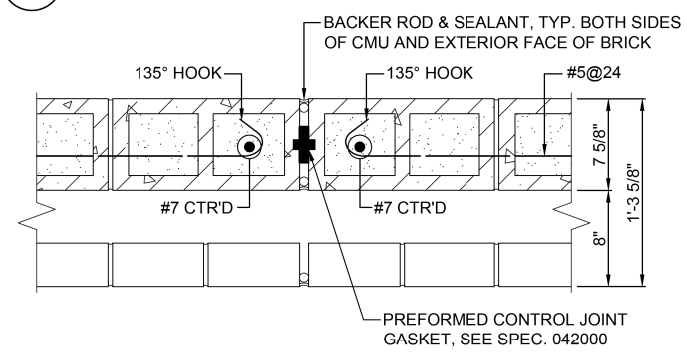
**7 ISOMETRIC DETAIL AT CONTROL JOINT AT WALL INTERSECTION**  
S403 SCALE: 3/4"=1'-0"



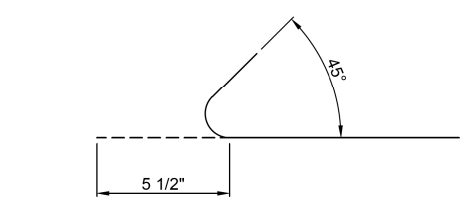
**8 CONTROL JOINT / PILASTER DETAIL**  
S403 SCALE: 1 1/2"=1'-0"



**3 TYPICAL EXTERIOR WALL CONSTRUCTION**  
S403 SCALE: 1 1/2"=1'-0"



**4 TYPICAL CONTROL JOINT DETAIL**  
S403 SCALE: 1 1/2"=1'-0"



**8 TYPICAL 135 DEGREE HOOK FOR #5 BAR**  
S403 SCALE: N.T.S. NOTE: ROTATE END OF HOOK TO FIT CMU CORE

NOTE: HORIZONTAL REINFORCEMENT IN BOND BEAMS SHALL RUN CONTINUOUS THROUGH JOINTS

NOTE: HORIZONTAL REINFORCEMENT IN BOND BEAMS SHALL RUN CONTINUOUS THROUGH JOINTS

- \*NOTE:
- 1) THE PRICE OF ALL MASONRY WORK (CMU, BRICK, REINF., ETC.) SHALL BE INCLUDED IN "PUMP STATION GENERAL WORK"
  - 2) THE PRICE OF GRADES 36 AND 50 STRUCTURAL STEEL SHALL BE INCLUDED IN "PUMP STATION GENERAL WORK"

