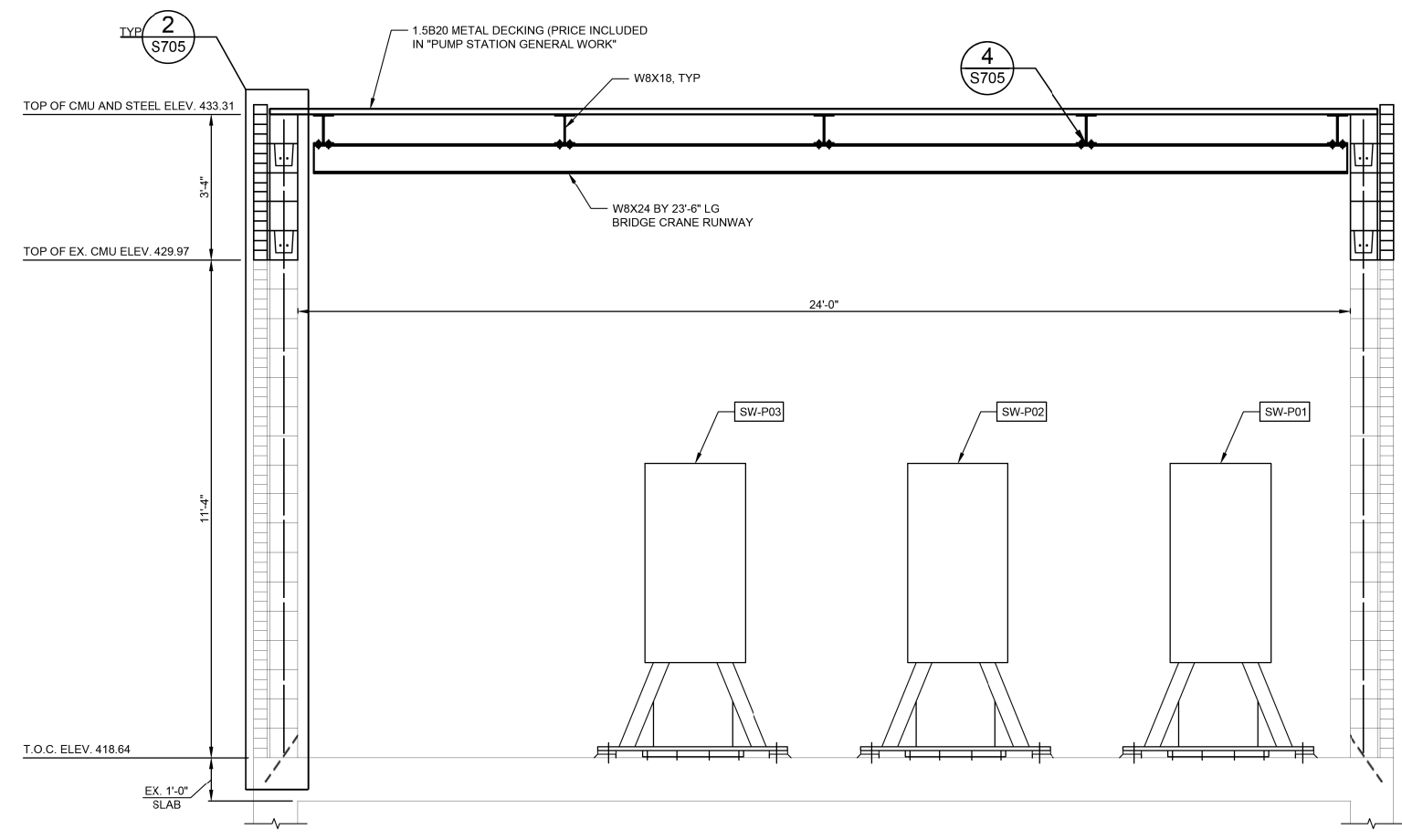
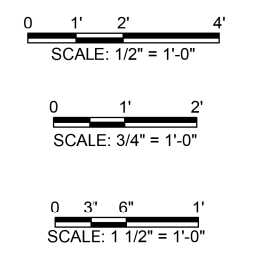


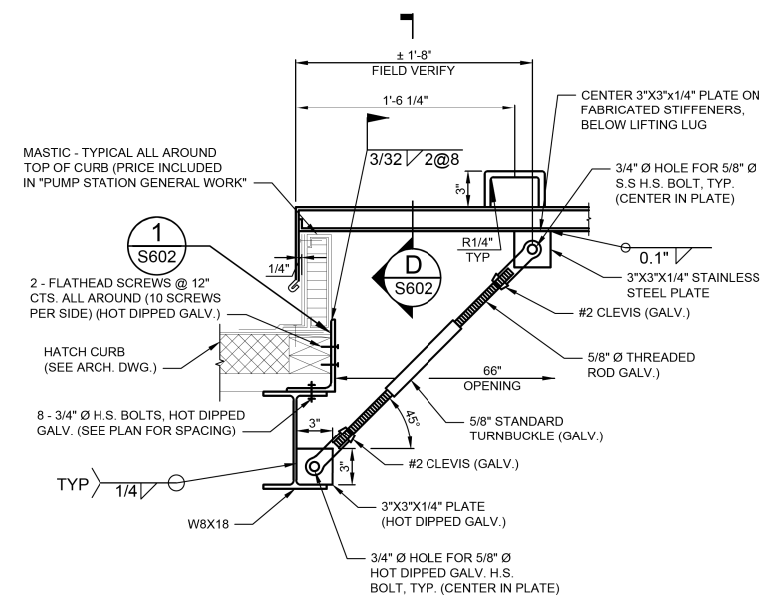
A SECTION
S602 SCALE: 1/2"=1'-0"



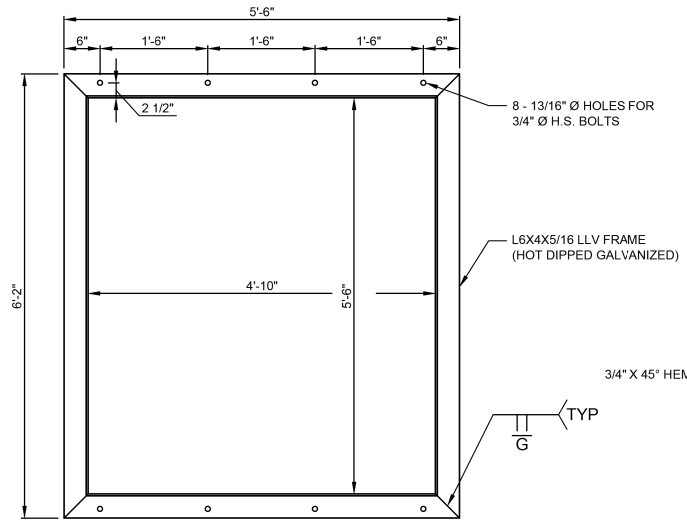
B SECTION
S602 SCALE: 1/2"=1'-0"



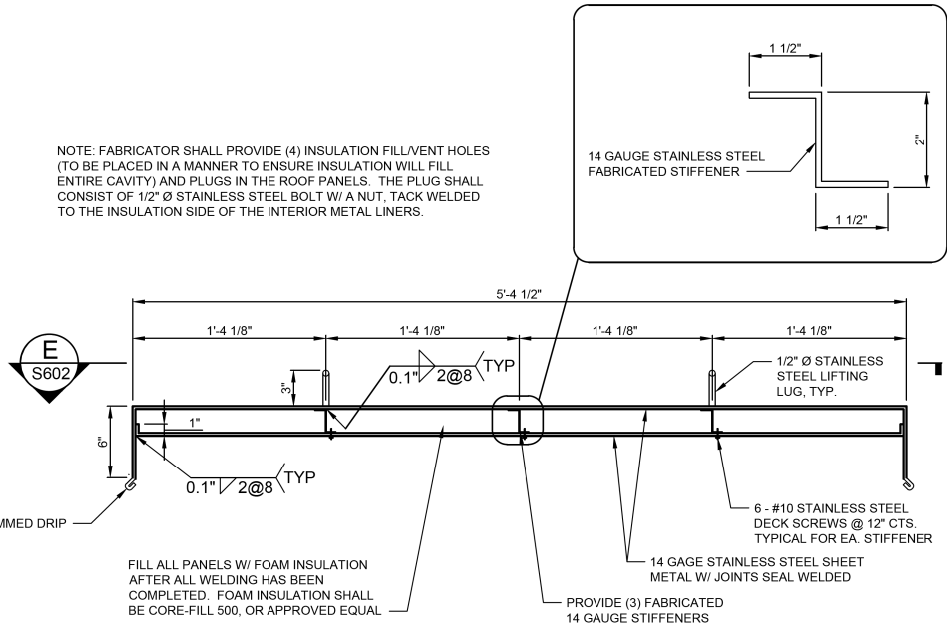
- *NOTE:
- 1) REBAR AND ANCHORS SHALL BE EPOXY GROUTED INTO EX. CONC. W/ HILTI HIT-HY 150MAX-SD, OR APPROVED EQUAL. *PRICE INCLUDED IN "CONCRETE STRUCTURES"
 - 2) THE PRICE OF ALL MASONRY WORK (CMU, BRICK, REINF., ETC.) SHALL BE INCLUDED IN "PUMP STATION GENERAL WORK"
 - 3) THE PRICE OF ALL STAINLESS STEEL FRAMING, BOLTS, LIFTING LUGS, AND MATERIAL SHALL BE INCLUDED IN "PUMP STATION GENERAL WORK"
 - 4) PRICE OF FOAM INSULATION SHALL BE INCLUDED IN "PUMP STATION GENERAL WORK"
 - 4) SEE ARCHITECTURAL DRAWINGS FOR ROOF DETAILS
 - 5) THE PRICE OF ALL HANDRAILS AND GRADES 36 AND 50 STRUCTURAL STEEL SHALL BE INCLUDED IN "PUMP STATION GENERAL WORK"



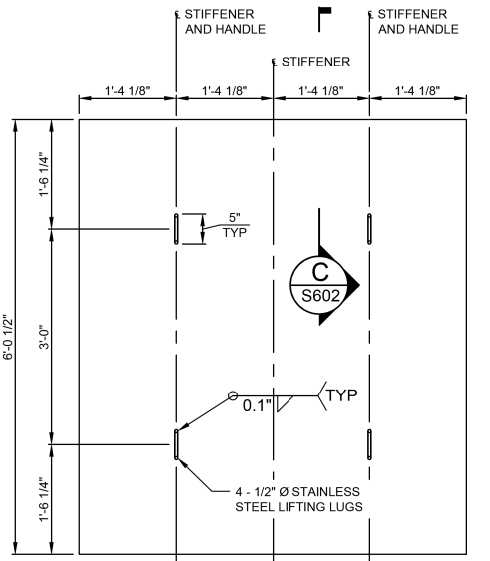
C SECTION - 4 LOCATIONS
S602 SCALE: 1 1/2"=1'-0"



D DETAIL
S602 SCALE: 3/4"=1'-0"



E SECTION
S602 SCALE: 1 1/2"=1'-0"



C SECTION
S602 SCALE: 3/4"=1'-0"

FILE NAME = G:\115\115023\Work - Drawn - 3 MO Ave. P12\ACADD Sheets\087699-arch-KL.A. S602.dwg

KLINGNER & ASSOCIATES, P.C.
Engineers • Architects • Surveyors

USER NAME = bgj	DESIGNED - ADL	REVISED -
PLOT SCALE = 40.0000' / in.	DRAWN - AMS	REVISED -
PLOT DATE = 8/23/2014	CHECKED -	REVISED -
	DATE -	REVISED -

**STATE OF ILLINOIS
DEPARTMENT OF TRANSPORTATION**

EXISTING PUMP STATION BUILDING - FOUNDATION SECTIONS
MISSOURI AVENUE DEEP WELL FACILITY
SCALE: AS NOTED SHEET 2 OF 2 SHEETS STA. TO STA.

F.A.I. R.T.E. 64	SECTION 82-4T-1	COUNTY ST. CLAIR	TOTAL SHEETS 185	SHEET NO. 125
CONTRACT NO. 76C99				
ILLINOIS FED. AID PROJECT				

S602