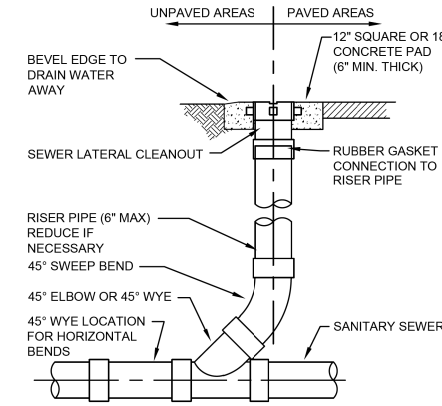
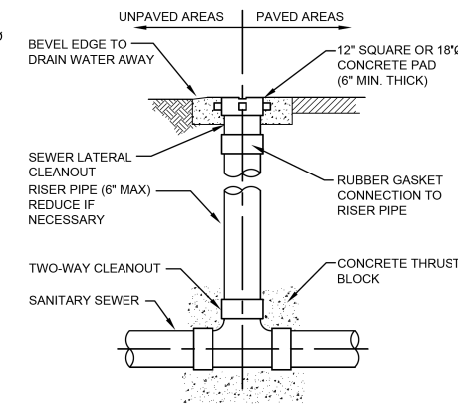


PLUMBING FIXTURE SCHEDULE

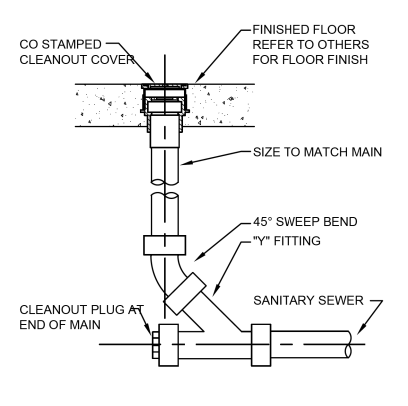
MARK	DESCRIPTION	BASIS OF DESIGN			BRANCH PIPE SIZE (IN)			
		MANUFACTURER	MODEL	COMMENTS	CW	HW	W	V
WC	TOILET - FLOOR MOUNTED, VITREOUS CHINA, ELONGATED BOWL, SIPHON JET, WITH TOP SPUD	AMERICAN STANDARD GERBER	MADERA 2305.100 25-730	MOUNT 17" FLOOR TO RIM				
	SEAT - ELONGATED, HEAVY DUTY, SOLID PLASTIC, OPEN FRONT, WITH LIFT OFF HINGE	BEMIS OLSONITE	2155C 8C					
	FLUSH VALVE - WITH BUMPER ON ANGLE STOP	SLOAN	ROYAL 111	1.6 GPF	1			
LAV	LAVATORY - WALL MOUNTED, VITREOUS CHINA, 4" ON CENTERS	AMERICAN STANDARD GERBER TOTO	LUCERNE 0355.012 12-904 LT307				1-1/4	1-1/4
	STRAINER - 1-1/4" CAST BRASS GRID STRAINER	DELTA GERBER	33T260 43-970					
	FAUCET - 4" CENTERS, LEVER ACTUATED WITH SEPARATE HOT AND COLD AND 0.5 GPM FLOW CONTROL	GERBER	53-100-64-67	0.5 GPM	1/2	1/2		
	CARRIER - FOOT SUPPORT, CONCEALED ARMS	ZURN WADE	1231 W-520					
MR	MOP SINK RECEPTOR, ONE-PIECE, 304 STAINLESS STEEL RIM GUARDS, 304 STAINLESS STEEL WALL PANELS, MOP HANGER, HOSE AND HANGER	SWAN MUSTEE	MS2424 63M				3	2
	FAUCET - WALL MOUNT, WITH REINFORCING BAR	CHICAGO	897MPCRF		3/4	3/4		
HB	HOSE BIBB - FREEZELESS WALL HYDRANT, DOUBLE CHECK BACKFLOW PREVENTION	WOODFORD	MODEL 67		3/4			
WH	WALL HYDRANT - HOT AND COLD WATER, WALL MOUNT, FREEZEPROOF	WOODFORD	MODEL C22		1/2	1/2		
DWH	WATER HEATER - 20 GALLON HEAVY DUTY, COMMERCIAL, ELECTRIC, 1500 WATT ELEMENT	AMERICAN	LDCE31-20U	208V/1PHASE/7.2A	3/4	3/4		
TMV	THERMOSTATIC MIXING VALVE - LIQUID FILLED, ADJUSTABLE SETPOINT, DIAL THERMOMETER, WITH SHUTOFF VALVES	BRADLEY	S19-2100-B-P		3/4	3/4		
ESEW	COMBINATION DRENCH SHOWER AND EYE/FACE WASH, 304 STAINLESS STEEL, WITH DUST COVER	BRADLEY	S19314AB1FEABO		3/4	3/4		
FD	FLOOR DRAIN - POLISHED NICKEL BRONZE STRAINER, CAST IRON BODY, DEEP SEAL TRAP, 8" TYPE B STRAINER	ZURN SIOUX CHIEF JAY R. SMITH	ZN-415-8B 832-XXXX 2005				3	1-1/2
FCO	FLOOR CLEANOUT - ADJUSTABLE, CAST IRON BODY, POLISHED NICKEL BRONZE TOP, BRONZE PLUG	ZURN	ZN-1400-BP				4	
ECO	FLOOR CLEANOUT - ADJUSTABLE, CAST IRON BODY, POLISHED NICKEL BRONZE TOP, BRONZE PLUG	JAY R. SMITH	4233L				4	
ECO	FLOOR CLEANOUT - ADJUSTABLE, CAST IRON BODY, POLISHED NICKEL BRONZE TOP, BRONZE PLUG, TWO WAY CLEANOUT FITTING	JAY R. SMITH	4233L				4	



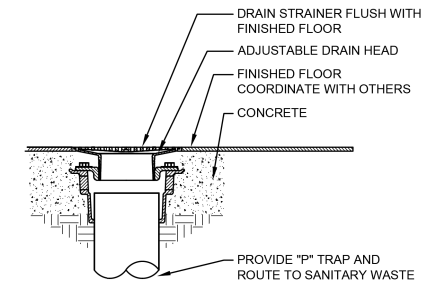
NOTE: PIPE MATERIAL TO BE SAME AS SANITARY SEWER.
EXTERIOR CLEANOUT DETAIL
 N.T.S.



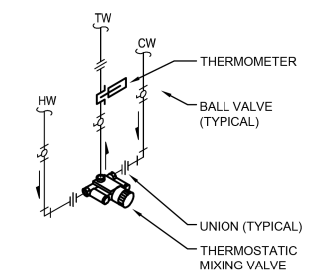
NOTE: PIPE MATERIAL TO BE SAME AS SANITARY SEWER.
EXTERIOR TWO-WAY CLEANOUT DETAIL
 N.T.S.



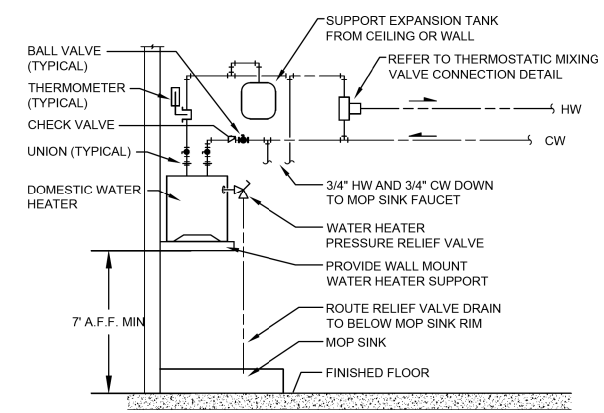
NOTE: PIPE MATERIAL TO BE SAME AS SANITARY SEWER.
INTERIOR CLEANOUT DETAIL
 N.T.S.



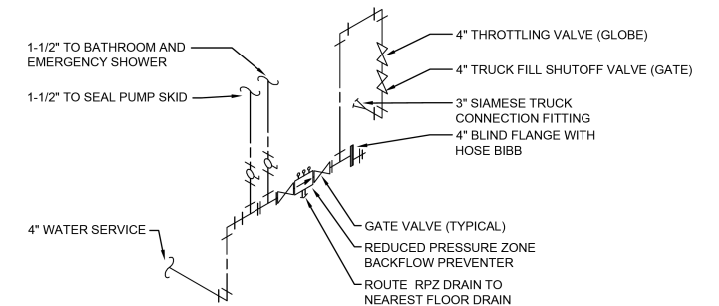
NOTE: ALL FLOOR DRAINS SHALL BE VENTED PER CODE.
FLOOR DRAIN DETAIL
 N.T.S.



THERMOSTATIC MIXING VALVE CONNECTION DETAIL
 N.T.S.



DOMESTIC WATER HEATER/MOP SINK INSTALLATION DETAIL
 NOT TO SCALE



WATER SERVICE ENTRANCE DETAIL
 N.T.S.

FILE NAME = G:\115\1150223\Work - Drawn - 3 MO Ave - P12\ACADD Sheets\DB76699-arch-KL.A Plumbing.dgn



USER NAME = seb	DESIGNED - ALD	REVISED -
PLOT SCALE = 40.0000' / in.	DRAWN - JNN	REVISED -
PLOT DATE = 8/23/2014	CHECKED -	REVISED -
	DATE -	REVISED -

STATE OF ILLINOIS DEPARTMENT OF TRANSPORTATION

WELL HOUSE BUILDING - DOMESTIC PLUMBING SCHEDULES AND DETAILS
MISSOURI AVENUE DEEP WELL FACILITY

SCALE: AS NOTED SHEET 1 OF 1 SHEETS STA. TO STA.

F.A.I. RTE. = 64	SECTION = 82-4T-1	COUNTY = ST. CLAIR	TOTAL SHEETS = 185	SHEET NO. = 137
CONTRACT NO. 76C99				
ILLINOIS FED. AID PROJECT				

P200