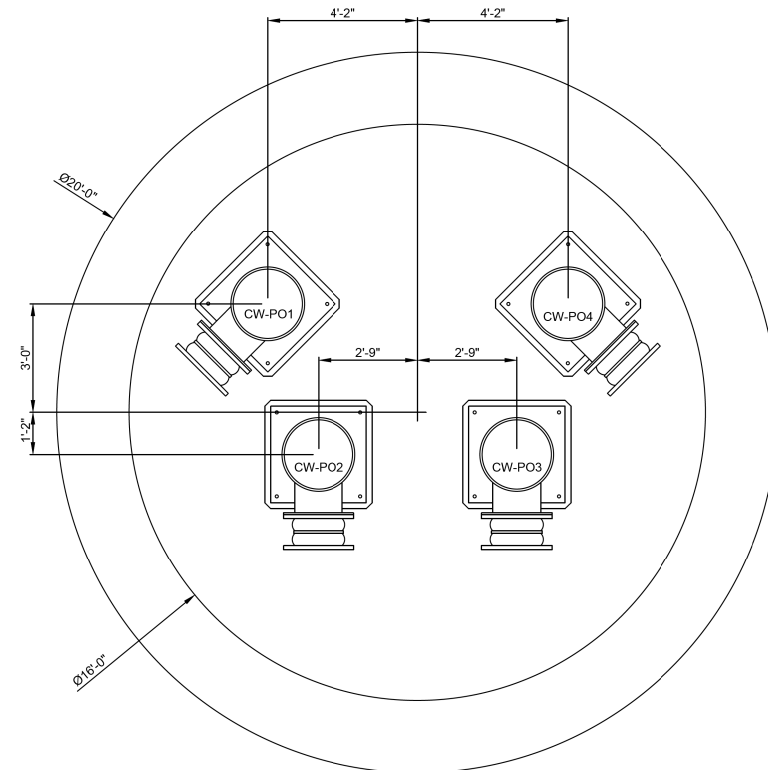
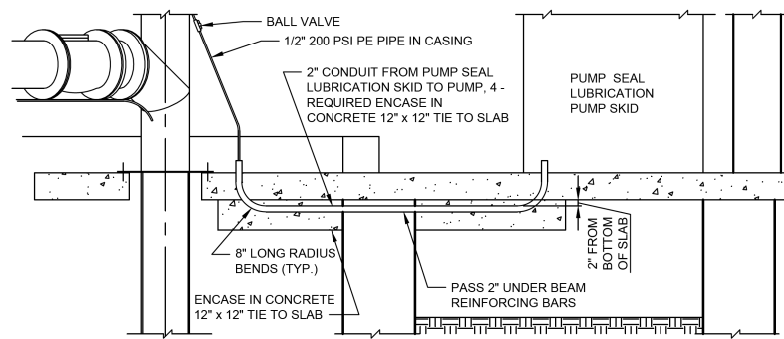


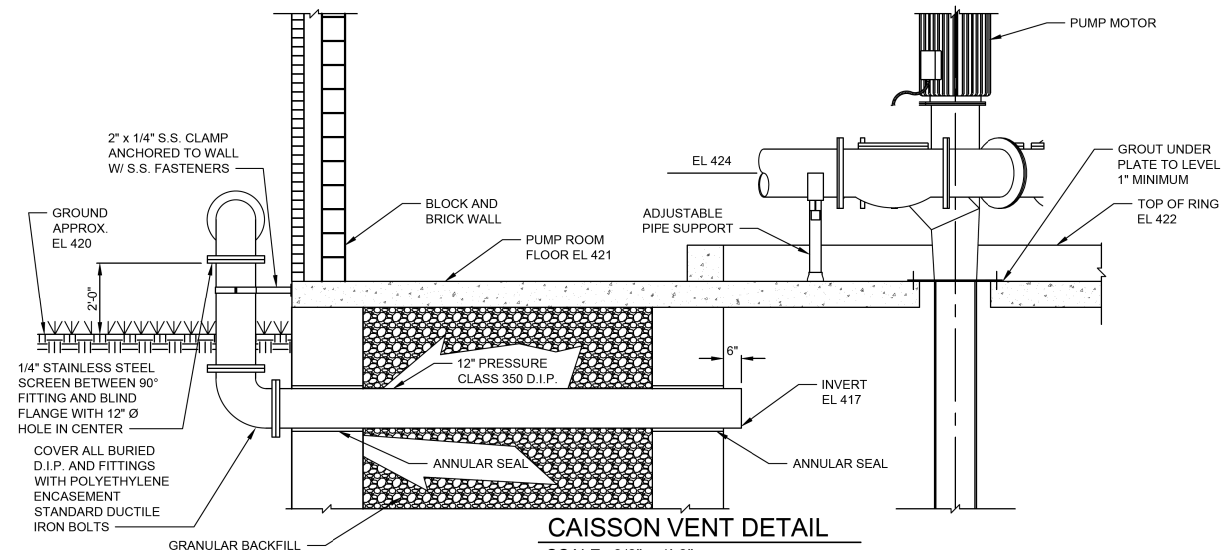
PUMP ROOM FLOOR PLAN
SCALE: 3/16" = 1'-0"



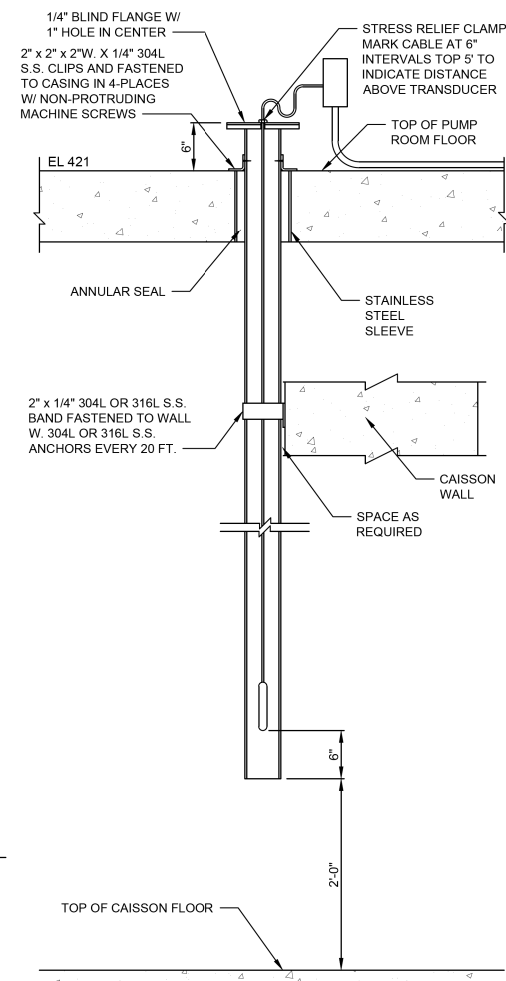
CAISSON PUMP LOCATION DETAIL
SCALE: 3/8" = 1'-0"



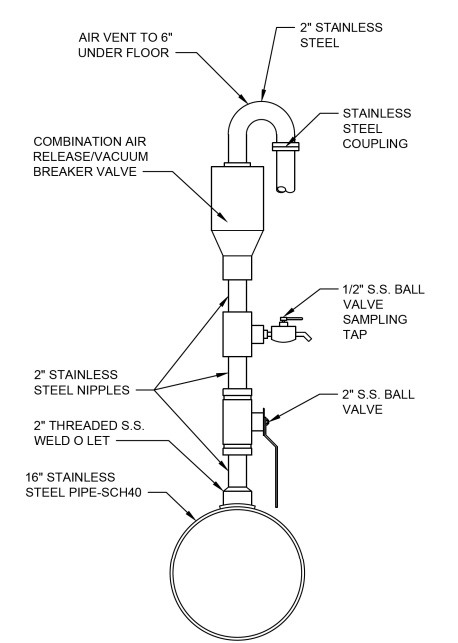
PUMP AND SEAL LUBRICATION CONDUIT DETAIL
SCALE: 3/8" = 1'-0"



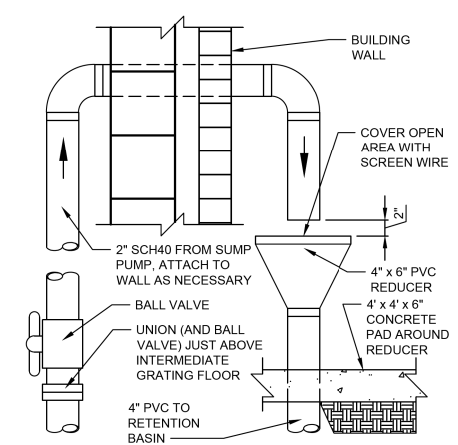
CAISSON VENT DETAIL
SCALE: 3/8" = 1'-0"



LEVEL TRANSDUCER DETAIL (TYP.)
SCALE: 1" = 1'-0"



AIR-RELEASE/VACUUM BREAKER VALVE DETAIL
SCALE: NONE



SUMP DRAIN DETAIL (TYP.)
SCALE: NONE

- NOTES:**
- BLIND FLANGES ARE PROVIDED TO AID IN PIPE LINE CLEANING. PROVIDE LIFT EYES ON EACH BLIND FLANGE TO PROVIDE POINT OF LIFTING FOR BRIDGE CRANE.
 - ADJUST PIPING CENTERLINE AS NECESSARY TO ACCOMMODATE DISCHARGE HEAD AND GROUT LEVELING COURSE.
 - DIRECT AIR RELEASE/VACUUM BREAKER VALVE EXHAUST WITH 2" SCH 10 304L STAINLESS STEEL PIPE EXTENDED THROUGH SLAB TO 1'-0" BELOW BOTTOM OF SLAB. USE ANNULAR SEALS IN SLAB.
 - CONVERT FROM 18" 316L SCH40 STAINLESS STEEL PIPE TO 18" HDPE DR17 PIPE 5' OUTSIDE PUMP ROOM. USE MJ TYPE CONNECTOR.
 - OVERFLOW DRAIN IS 8" CLASS 150 PSI PIPE, CEMENT LINED, BITUMINUS COATED, POLYETHYLENE ENCASED RJMJ FITTINGS AND JOINTS. TERMINATE AT RETENTION BASIN WITH CONCRETE HEADWALL AND RUBBER DUCKBILL CHECK VALVE WITH STAINLESS STEEL FASTENERS.
 - PROVIDE A 1" IPS THREADED STAINLESS STEEL BALL VALVE ON THE BOTTOM OF EACH PIPE RUN TO SERVE TO DRAIN THE PIPE FOR INSPECTION OR CLEANING.
 - DISPLAYS FOR METERS AND TRANSDUCERS TO BE LOCATED IN ELECTRICAL AND CONTROL ROOM PER OWNER'S PREFERENCE.

FILE NAME = G:\111\1110023\Work_Drwnr_3_M0_Av_P12\ACADD_Sheets\1110023-1110023-Mech.dgn



USER NAME = seb	DESIGNED - SEH	REVISED - CWL - 9/24/14
PLOT SCALE = 40.0000' / in.	DRAWN - CWL	REVISED -
PLOT DATE = 9/25/2014	CHECKED -	REVISED -
	DATE -	REVISED -

STATE OF ILLINOIS
DEPARTMENT OF TRANSPORTATION

WELL HOUSE BUILDING - PUMP ROOM DETAILS
MISSOURI AVENUE DEEP WELL FACILITY

SCALE: AS NOTED SHEET 1 OF 1 SHEETS STA. TO STA.

F.A.I. RTE.	SECTION	COUNTY	TOTAL SHEETS	SHEET NO.
64	82-4T-1	ST. CLAIR	185	139
CONTRACT NO. 76C99				
ILLINOIS FED. AID PROJECT				

M101