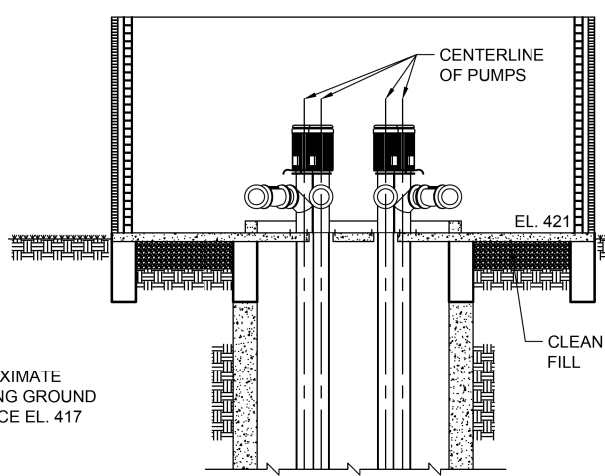
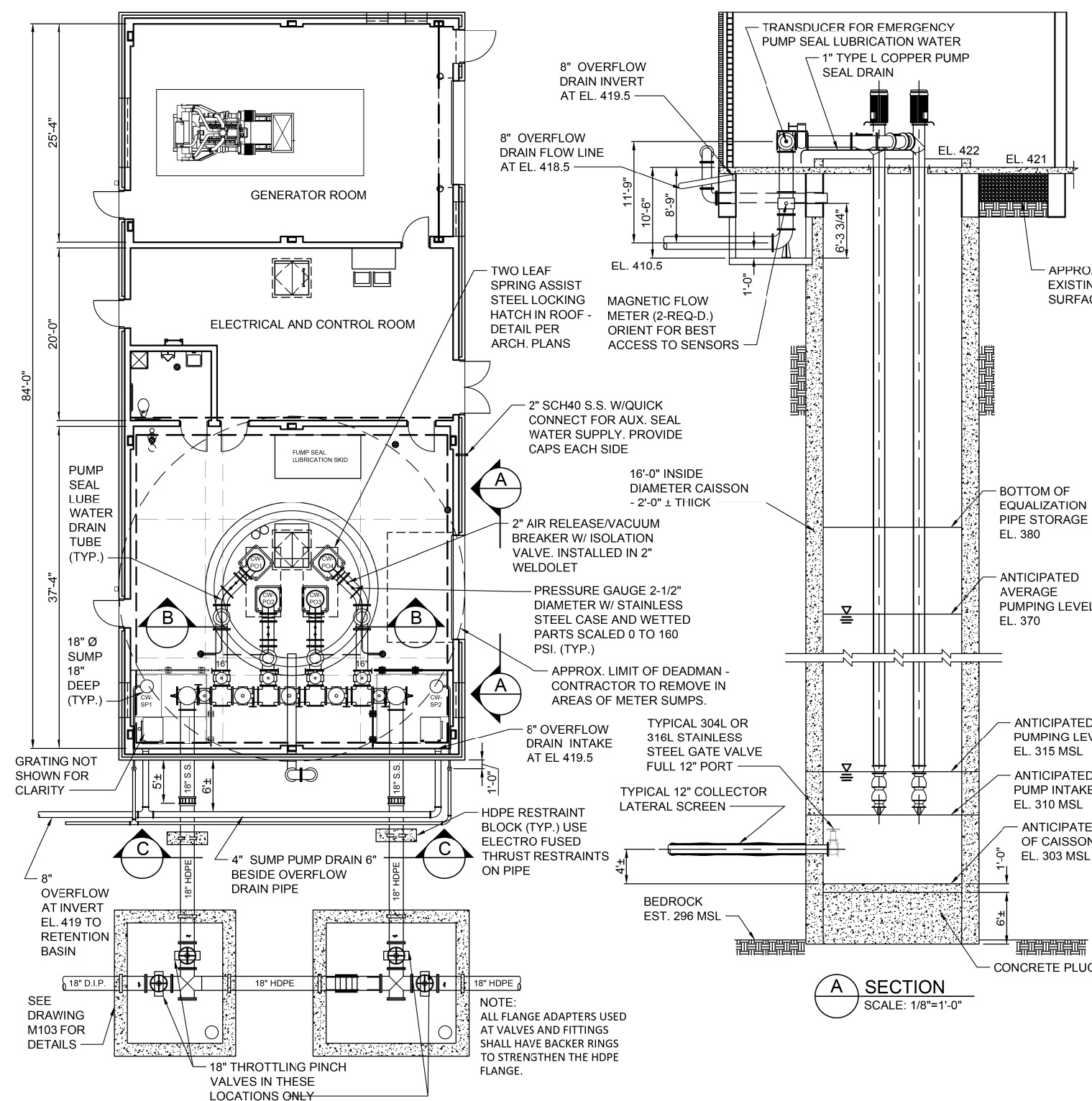
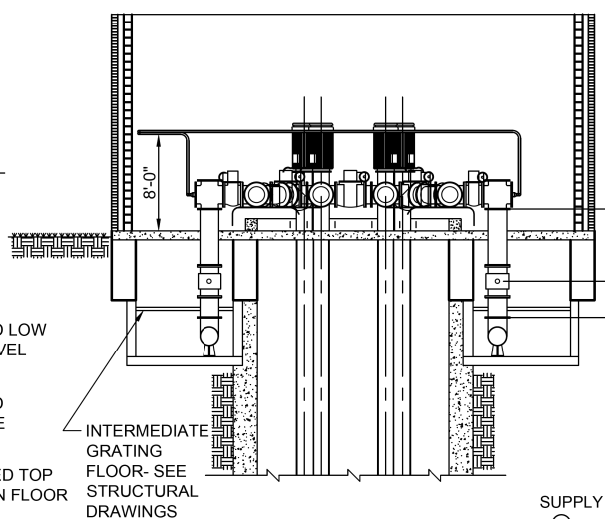


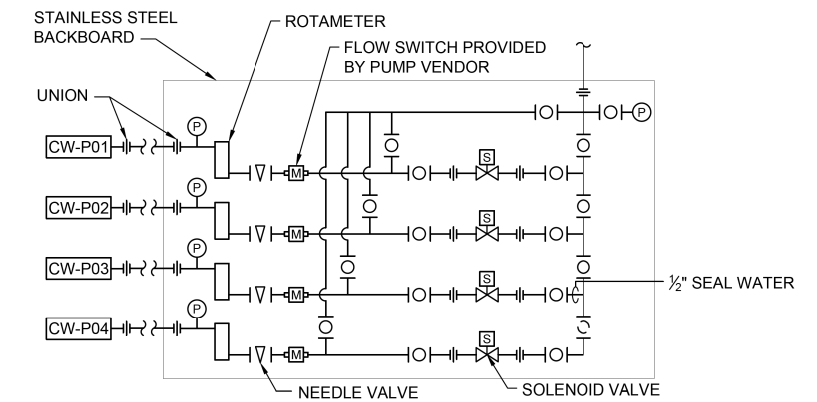
NOTE:
THE BORING SHOWN ON SHEETS S003 AND S004
WAS CONDUCTED IN 2014 AT THE APPROXIMATE
CENTER OF THE PROPOSED CAISSON AND IS
PROVIDED FOR INFORMATION ONLY. THE
CONTRACTOR IS RESPONSIBLE FOR ANY OTHER
INFORMATION NEEDED TO FURNISH AND INSTALL
ALL COLLECTOR LATERALS AND FURNISH AND
INSTALL ALL COLLECTOR SCREENS, TO
ACCOMPLISH A SATISFACTORY AND
SUCCESSFUL COLLECTOR WELL.



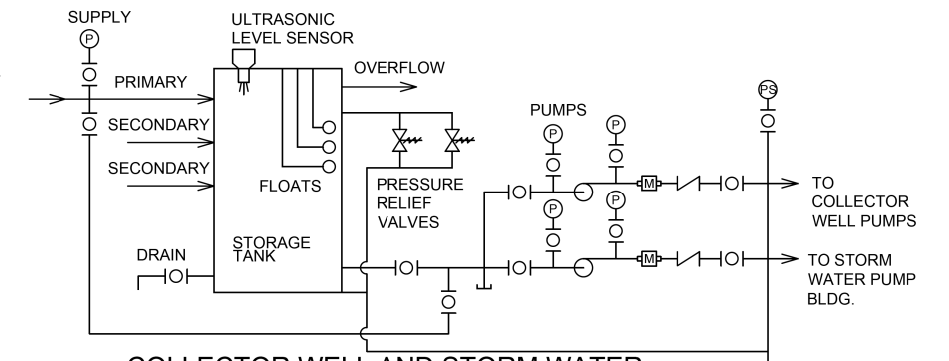
B SECTION
SCALE: 1/8"=1'-0"



C SECTION
SCALE: 1/8"=1'-0"



COLLECTOR WELL SEAL WATER CONTROL BACKBOARD
SCALE: NTS



COLLECTOR WELL AND STORM WATER PUMPS SEAL WATER SYSTEM SCHEMATIC
SCALE: NTS

FLOOR PLAN
SCALE: 1/8" = 1'-0"

A SECTION
SCALE: 1/8"=1'-0"

FILE NAME = G:\11\110223\Work - Drawn - 3 MO Ave. P12\CAISSON Details\0876599-ant-110223_Mech1.dwg

KLINGNER & ASSOCIATES, P.C.
Engineers • Architects • Surveyors

USER NAME = seb	DESIGNED - SEH	REVISED - CWL - 9/24/14
PLOT SCALE = 40.0000' / in.	DRAWN - CWL	REVISED -
PLOT DATE = 9/25/2014	CHECKED -	REVISED -
	DATE -	REVISED -

STATE OF ILLINOIS
DEPARTMENT OF TRANSPORTATION

WELL HOUSE BUILDING - CAISSON DETAILS
MISSOURI AVENUE DEEP WELL FACILITY
SCALE: AS NOTED SHEET 1 OF 1 SHEETS STA. TO STA.

F.A.I. RTE.	SECTION	COUNTY	TOTAL SHEETS	SHEET NO.
64	82-4T-1	ST. CLAIR	185	140
CONTRACT NO. 76C99				
ILLINOIS FED. AID PROJECT				

M102