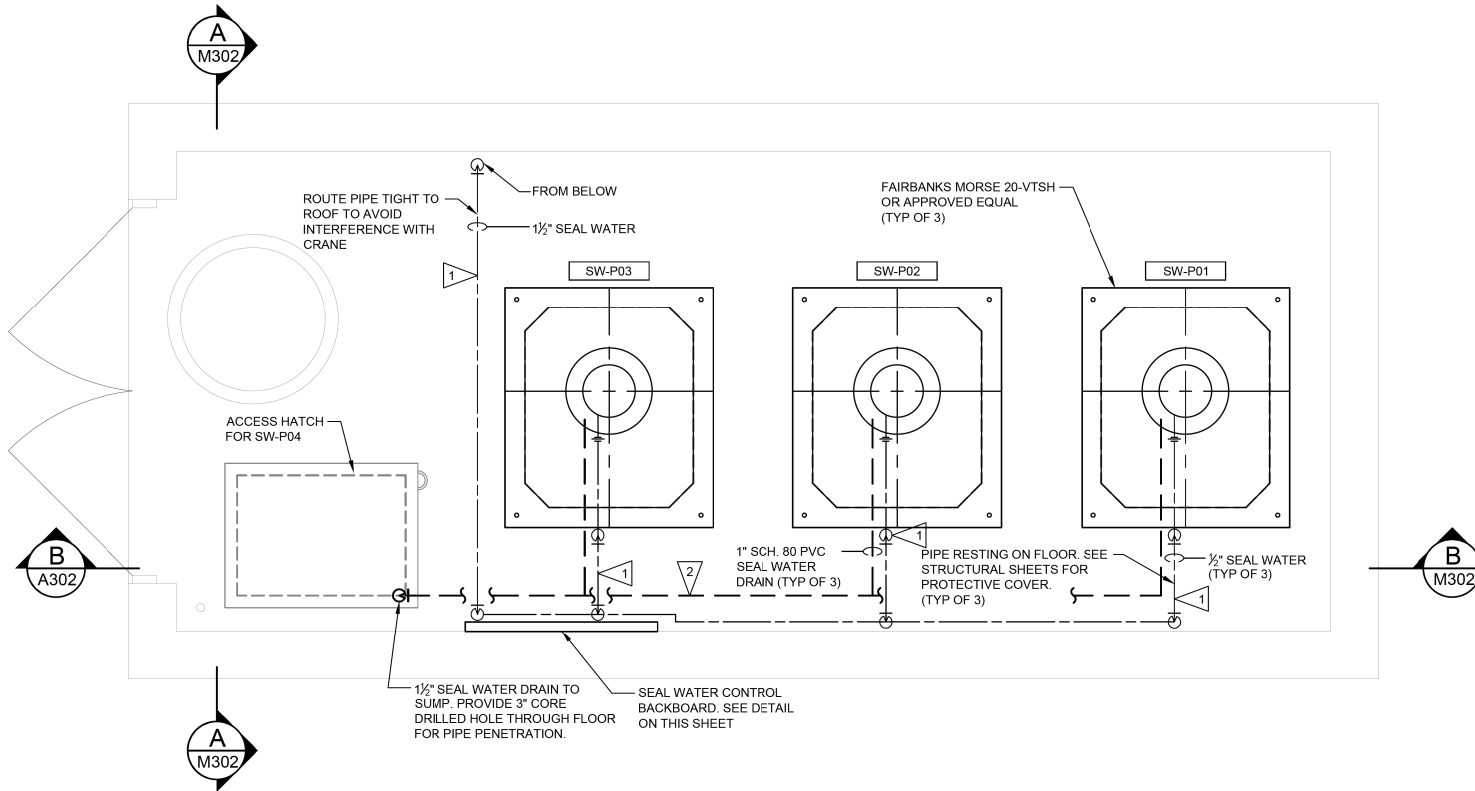
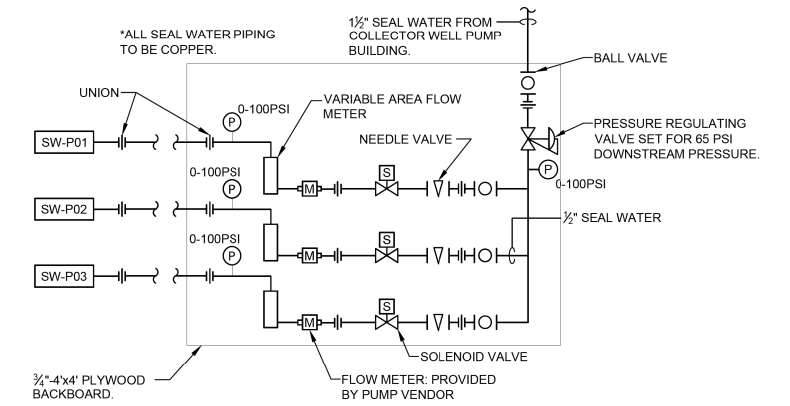


EXIST PUMP STA BLDG- PROCESS MECHANICAL PLAN ELEV. 412.64
SCALE: 1/2" = 1'-0"



EXIST PUMP STA BLDG- PROCESS MECHANICAL PLAN ELEV. 418.64
SCALE: 1/2" = 1'-0"

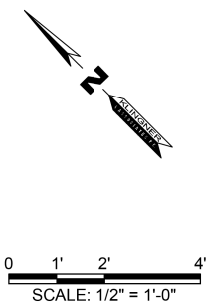
THE STORMWATER PUMP STATION ELECTRICAL CLASSIFICATION IS CLASS 1, DIVISION 2, GROUP D. ALL EQUIPMENT INSTALLED AND INSTALLATION METHODS WITHIN OR ON THE STORMWATER PUMP STATION SHALL BE SUITABLE FOR THIS CLASSIFICATION.



SEAL WATER CONTROL BACKBOARD
SCALE: NTS

KEYED NOTES (NOTES APPLICABLE TO THIS SHEET ONLY)

- 1 SEAL WATER PIPE SHALL BE HEAT TRACED (SEE ELECTRICAL SHEETS) AND INSULATED WITH 1" OF CLOSED CELL, FLEXIBLE ELASTOMERIC PIPE INSULATION.
- 2 ROUTE DRAIN PIPE TIGHT TO WALL. PIPE SHOWN AWAY FROM THE WALL ONLY FOR CLARITY.



FILE NAME = G:\115\1150223\Work_Drwnr_3_M0 Ave_P12\ACAD_Sheets\1150223\1150223-Mech3.dgn

KLINGNER & ASSOCIATES, P.C.
Engineers • Architects • Surveyors

USER NAME = seb
PLOT SCALE = 40.0000' / in.
PLOT DATE = 8/23/2014

DESIGNED - JJN
DRAWN - JJN
CHECKED -
DATE -

REVISED -
REVISED -
REVISED -
REVISED -

**STATE OF ILLINOIS
DEPARTMENT OF TRANSPORTATION**

**EXISTING PUMP STATION BUILDING - PROCESS MECHANICAL
MISSOURI AVENUE DEEP WELL FACILITY**

SCALE: AS NOTED SHEET 2 OF 3 SHEETS STA. TO STA.

F.A.I. RTE.	SECTION	COUNTY	TOTAL SHEETS	SHEET NO.
64	82-4T-1	ST. CLAIR	185	149
CONTRACT NO. 76C99				
ILLINOIS FED. AID PROJECT				

M301