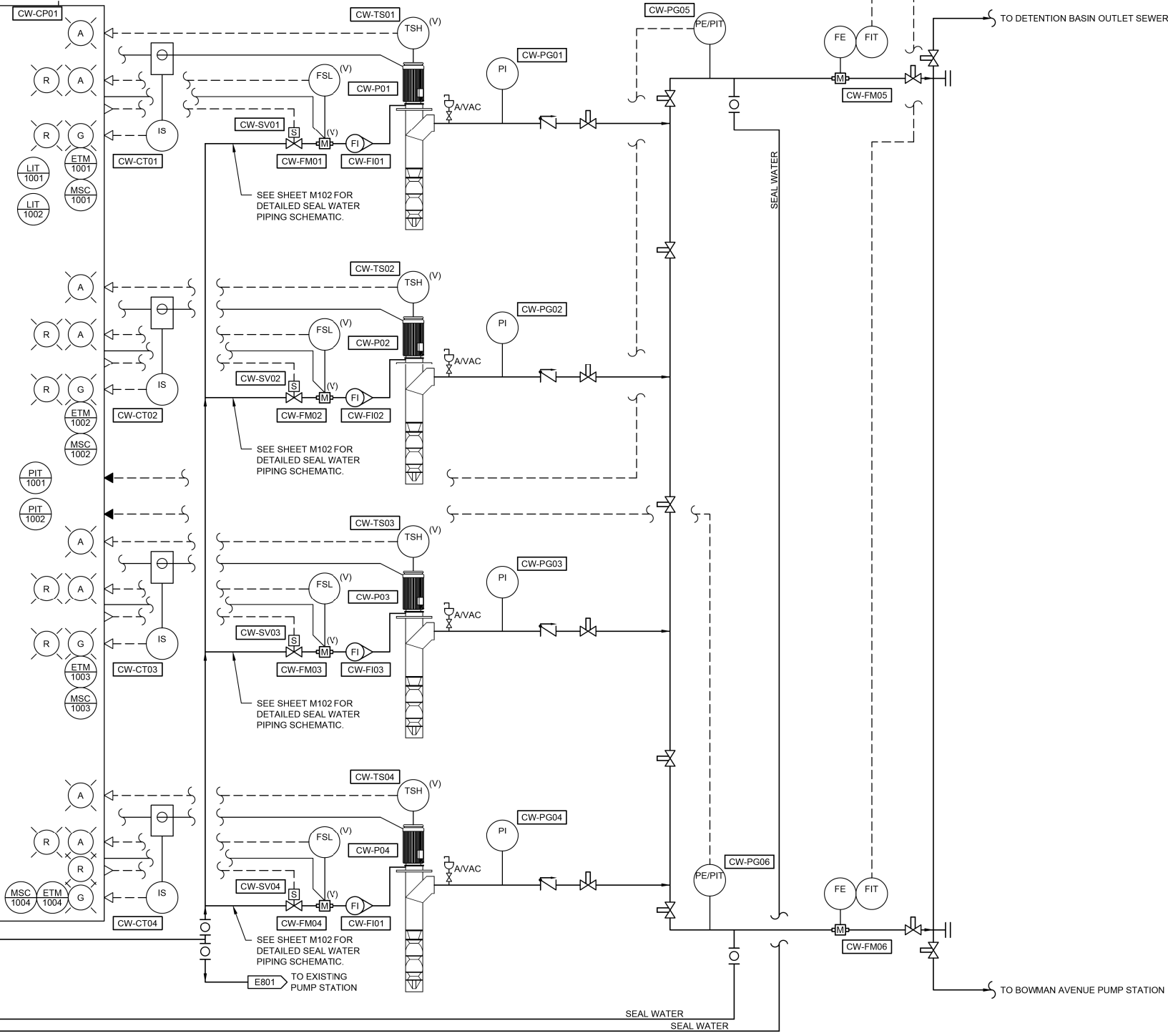
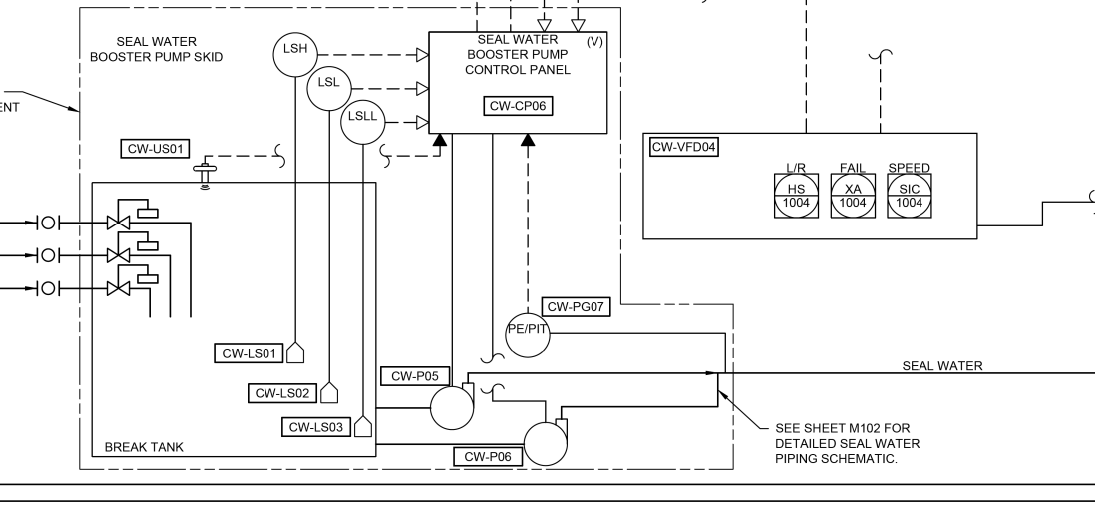
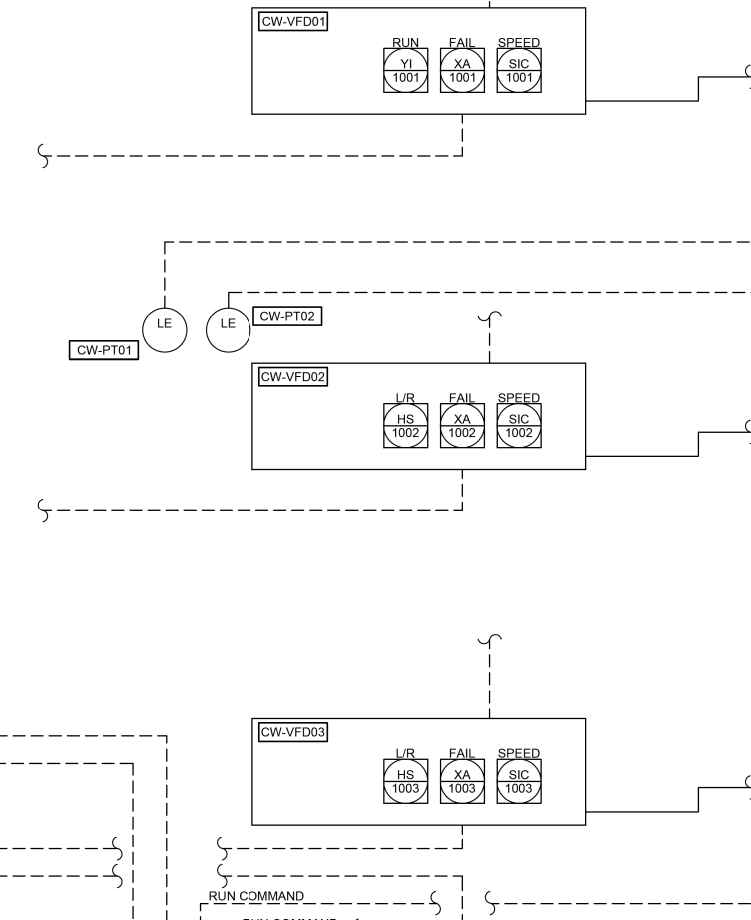
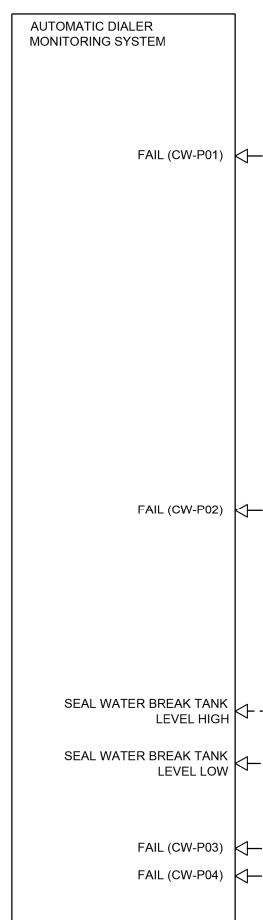
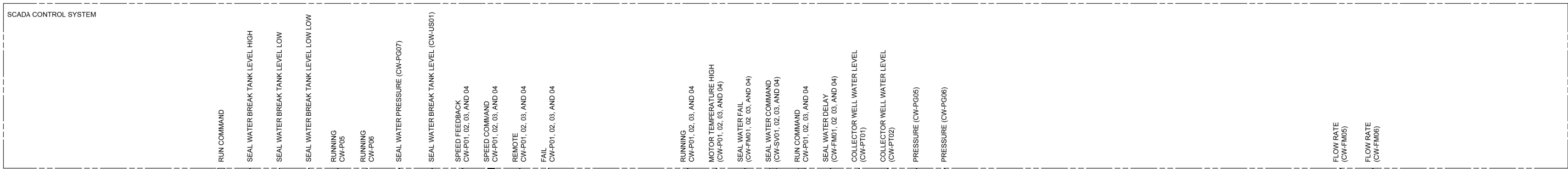


FILE NAME = G:\115\1150223\Work - Order 3 MO Ave Pk2\AC00D Sheets\DB76599-ah-115.04_Elec&Idg.dwg



USER NAME = seb	DESIGNED - JUN	REVISED - JUN - 9/24/14
PLOT SCALE = 40.0000' / in.	DRAWN - JUN	REVISED -
PLOT DATE = 9/25/2014	CHECKED -	REVISED -
	DATE -	REVISED -

STATE OF ILLINOIS
DEPARTMENT OF TRANSPORTATION

WELL HOUSE BUILDING - P&ID
MISSOURI AVENUE DEEP WELL FACILITY

SCALE: AS NOTED SHEET 1 OF 1 SHEETS STA. TO STA.

E800			
F.A.I. RTE. 64	SECTION 82-4T-1	COUNTY ST. CLAIR	TOTAL SHEETS 185 SHEET NO. 172
			CONTRACT NO. 76C99
ILLINOIS FED. AID PROJECT			