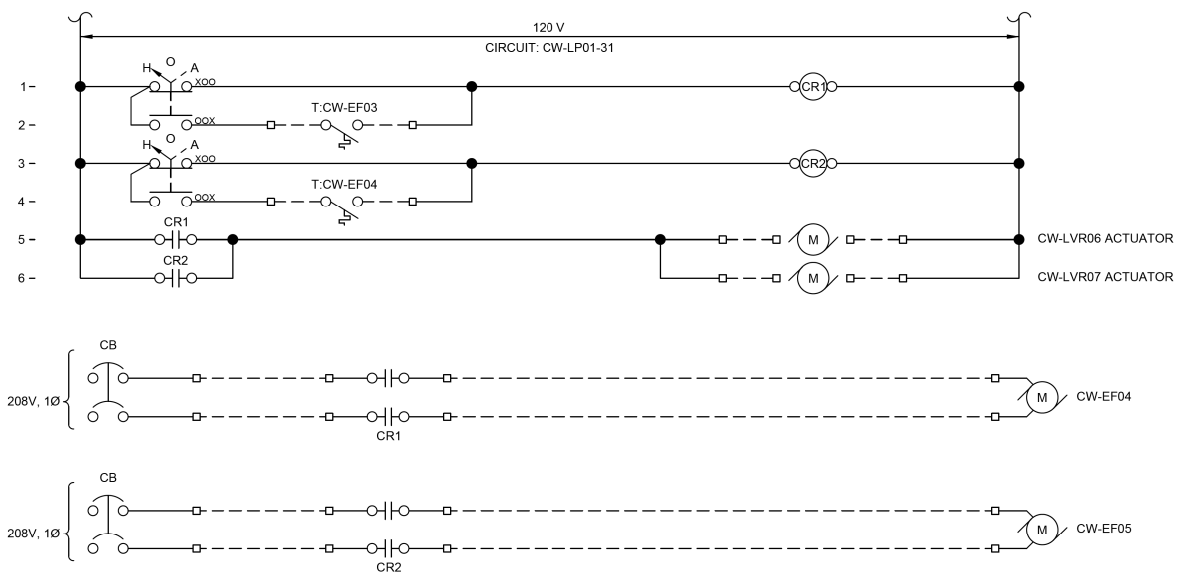
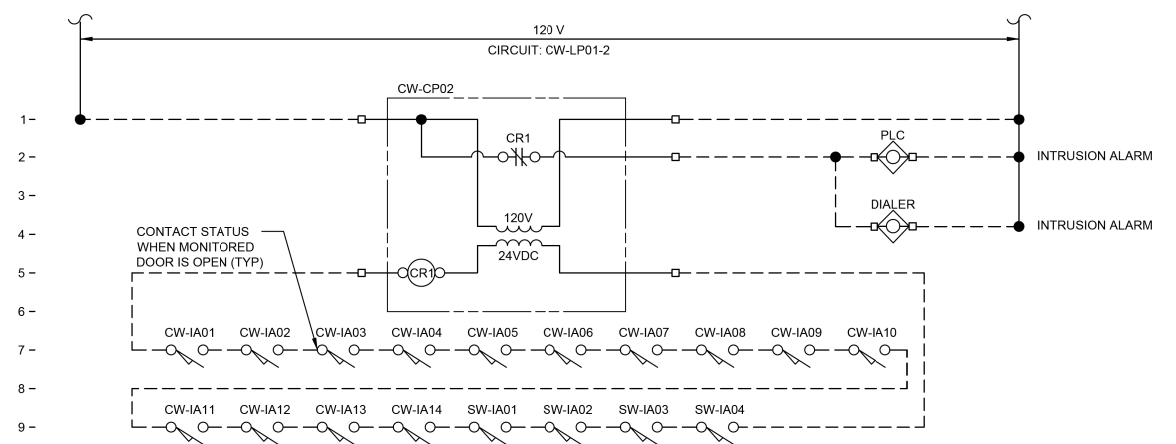


CONTROL DRAWING No. 4
CW-CP03



CONTROL DRAWING No. 5
CW-CP04



CONTROL DRAWING No. 6
INTRUSION ALARMS

FILE NAME = G:\115\110223\Work_Drwnr_3_M0_Ave_P12\ACADD_Sheets\DB76599-ahc-KL4_Elec.dgn



USER NAME = seb	DESIGNED -	REVISED - JUN - 9/24/14
PLOT SCALE = 40.0000' / in.	DRAWN -	REVISED -
PLOT DATE = 9/25/2014	CHECKED -	REVISED -
	DATE -	REVISED -

**STATE OF ILLINOIS
DEPARTMENT OF TRANSPORTATION**

CONTROL DRAWINGS	
MISSOURI AVENUE DEEP WELL FACILITY	
SCALE:	SHEET 4 OF 6 SHEETS STA. TO STA.

F.A.I. RTE.	SECTION	COUNTY	TOTAL SHEETS	SHEET NO.
64	82-4T-1	ST. CLAIR	185	183
CONTRACT NO. 76C99				
ILLINOIS FED. AID PROJECT				

E909