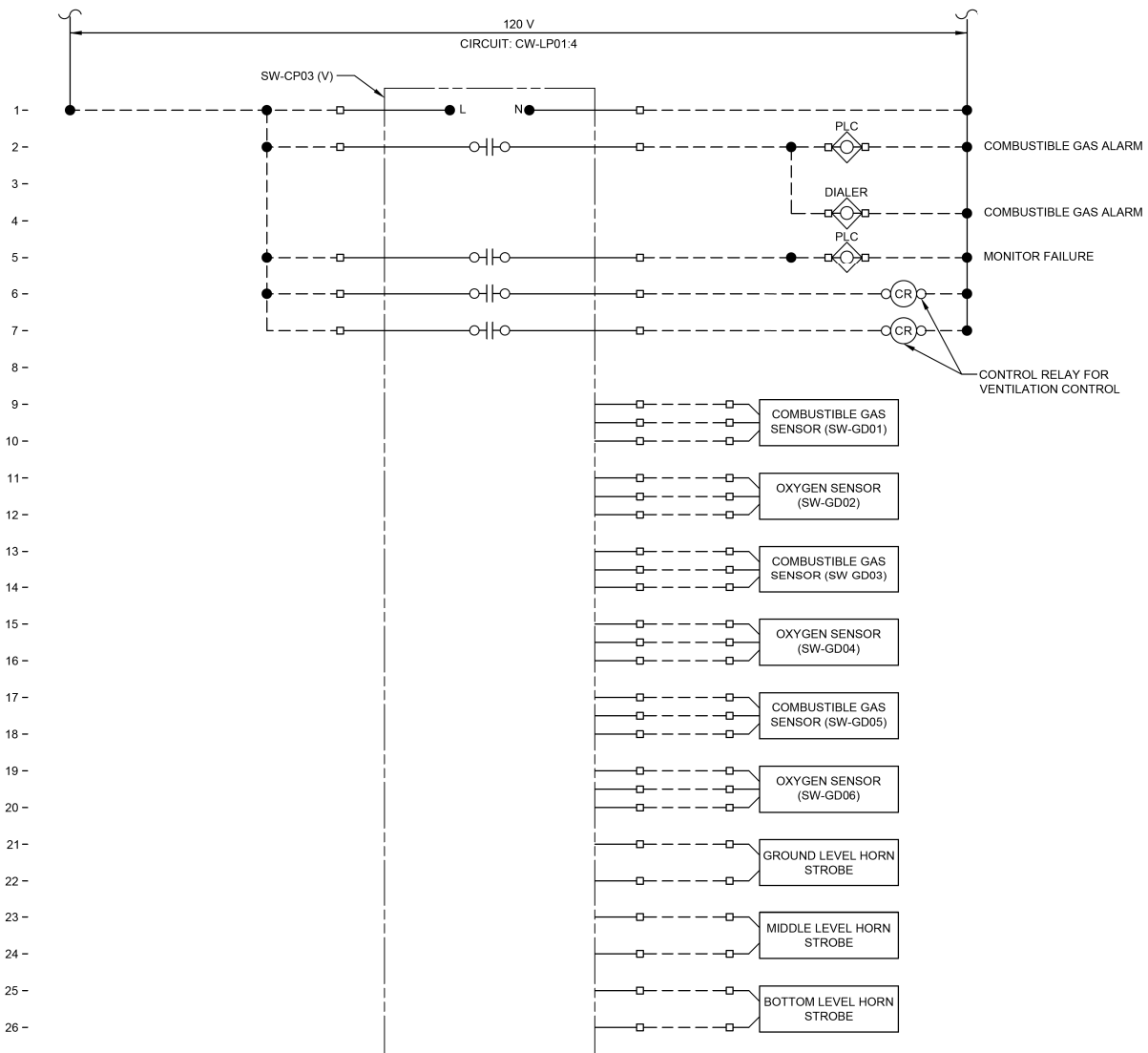


**CONTROL DRAWING No. 10**  
CW-CP05



**CONTROL DRAWING No. 11**  
ALARM SIGNAL

FILE NAME = G:\115\110223\Work\_Drwn\_3\_M0\_Ave\_P12\ACDD\_Sheets\DB76699-ah-t-KL.A\_Elec\_S.dgn

USER NAME = seb	DESIGNED -	REVISED - JUN - 9/24/14
PLOT SCALE = 40.0000' / in.	DRAWN -	REVISED -
PLOT DATE = 9/25/2014	CHECKED -	REVISED -
	DATE -	REVISED -

<b>CONTROL DRAWINGS MISSOURI AVENUE DEEP WELL FACILITY</b>			
SCALE:	SHEET 6	OF 6 SHEETS	STA. TO STA.

F.A.I. RTE.	SECTION	COUNTY	TOTAL SHEETS	SHEET NO.
64	82-4T-1	ST. CLAIR	185	185
CONTRACT NO. 76C99				
ILLINOIS FED. AID PROJECT				