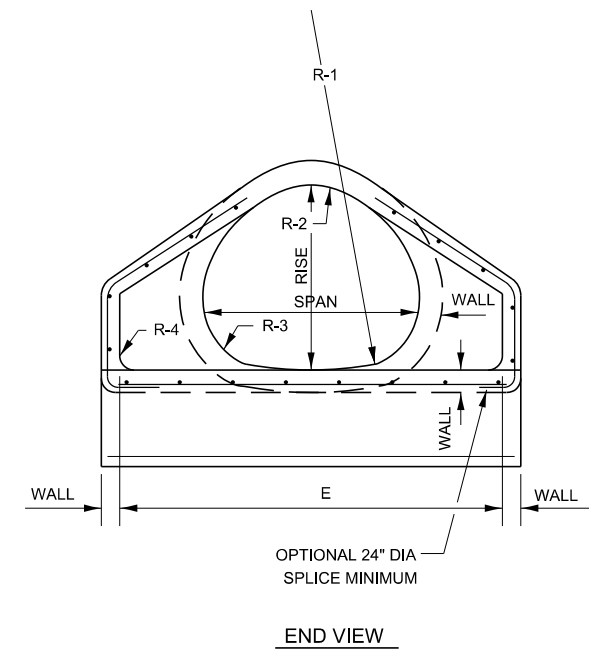
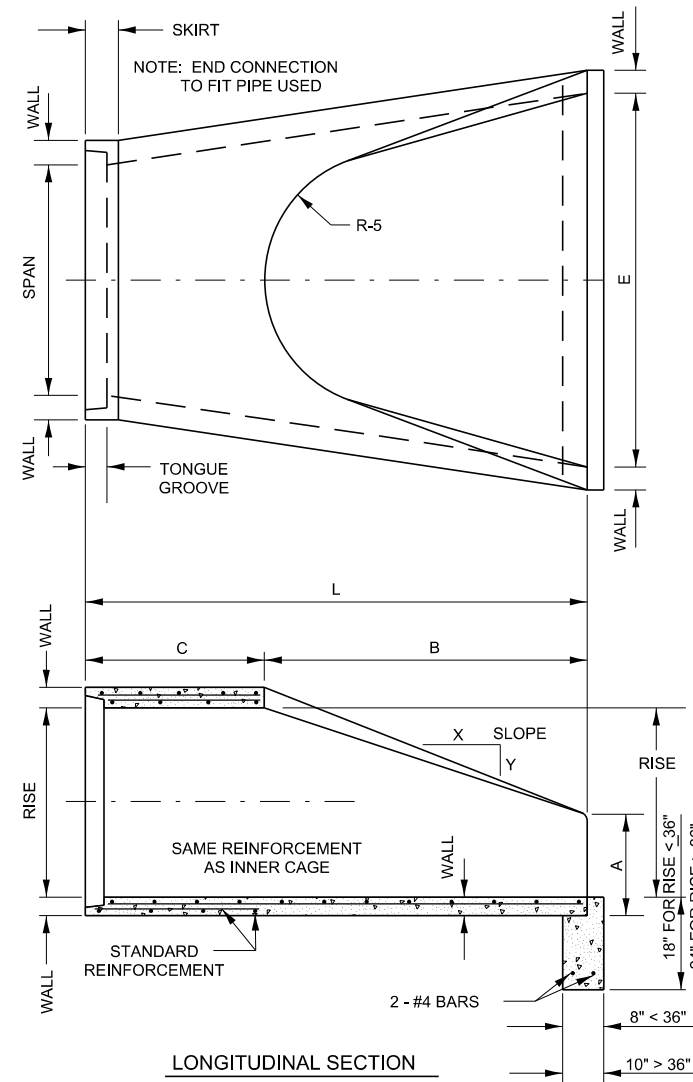


SIZE	WALL	SPAN	RISE	L	B	C	E	A	SLOPE	R-1	R-2	R-3	R-4	R-5
18"	2½"	22"	13½"	72"	27"	45"	36"	7"	2.16:1	27½"	13¼"	5¼"	2"	12"
24"	3"	28½"	18"	72"	39"	33"	48"	8"	2.29:1	40½"	14⅞"	4⅞"	3"	14"
30"	3½"	36¼"	22½"	72"	48"	24"	60"	10"	2.34:1	51"	18¼"	6⅞"	3"	15"
36"	4"	43¾"	26⅞"	96"	60"	36"	72"	10⅞"	2.4:1	62"	22½"	6½"	6"	20"
42"	4½"	51⅞"	31⅞"	96"	60"	36"	78"	15⅞"	2.35:1	73"	26¼"	7¾"	6"	22"
48"	5"	58½"	36"	96"	60"	36"	84"	21"	2.31:1	84"	30"	8⅞"	6"	22"
54"	5½"	65"	40"	96"	60"	36"	90"	25½"	2.26:1	92½"	33⅞"	10"	6"	24"
60"	6"	73"	45"	96"	75"	21"	96"	26"	2.34:1	105"	37⅞"	11⅞"	6"	24"
72"	7"	88"	54"	100"	78"	22"	120"	35"	2.29:1	126"	45"	13⅞"	6"	24"



NOTES:

PRECAST CONCRETE FLARED END SECTIONS SHALL CONFORM TO THE APPLICABLE REQUIREMENT OF AASHTO M-206.

PRECAST CONCRETE FLARED END SECTION FOR PIPE ARCH DIAMETER REQUIRED SHALL BE AS INDICATED ON DETAIL PLAN FOR EACH INDIVIDUAL INSTALLATION.

THE END BLOCK SHALL BE PLACED PRIOR TO THE INSTALLATION OF THE FLARED END SECTION. THE END BLOCK SHALL BE BACKFILLED IN ACCORDANCE WITH ARTICLE 502.10 OF THE STANDARD SPECIFICATIONS, COST INCLUDED IN THE END SECTION.

PRECAST REINFORCED CONCRETE ARCH DIAMETER FLARED END SECTION

542-13

MODEL det 3 details
FILE Name: p:\w\sc\paw\center\com\PI\DOT\Documents\DOT Offices\Dhrd\3\Projects\Caray Detail\03 Detail Rev\rdns 2023\500-599 STRUCTURES.dgn

USER NAME = anthony.grunstad	DESIGNED -	REVISED -
	DRAWN -	REVISED -
PLOT SCALE = 100,000 ' / in.	CHECKED -	REVISED -
PLOT DATE = 10/3/23	DATE -	REVISED -

**STATE OF ILLINOIS
DEPARTMENT OF TRANSPORTATION**

SCALE:	SHEET	OF	SHEETS	STA.	TO	STA.
--------	-------	----	--------	------	----	------

F.A. RTE.	SECTION	COUNTY	TOTAL SHEETS	SHEET NO.
CONTRACT NO.				
ILLINOIS FED. AID PROJECT				