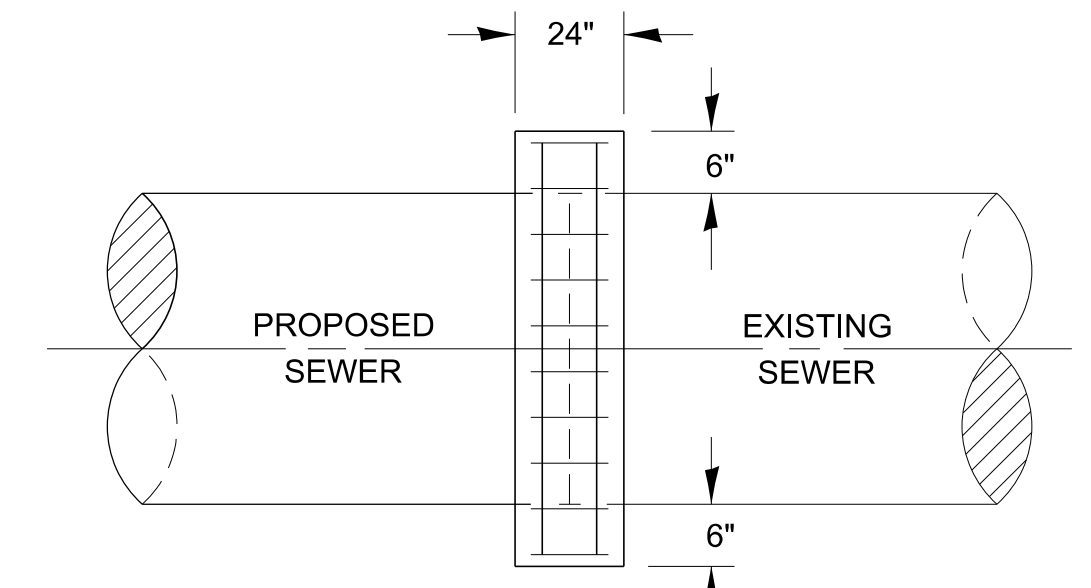


FRONT VIEW



SIDE VIEW

## CONCRETE COLLAR FOR SEWER CONNECTION

550-1

MODEL: dlet\_3\_sct.tbl  
 FILE NAME: p:\illinois\paw\_bentley.com\PIWIDOT\Documents\DOT Offices\Dirlet\_3\Projects\Carcy Details\03\_Detail\_Revisions\_2023\500-599\_STRUCTURES.dgn

USER NAME = anthony.grunstad	DESIGNED -	REVISED -
	DRAWN -	REVISED -
PLOT SCALE = 50.000 ' / in.	CHECKED -	REVISED -
PLOT DATE = 10/3/23	DATE -	REVISED -

**STATE OF ILLINOIS  
DEPARTMENT OF TRANSPORTATION**

SCALE: SHEET OF SHEETS STA. TO STA.

F.A. RTE.	SECTION	COUNTY	TOTAL SHEETS	SHEET NO.
CONTRACT NO.				
ILLINOIS FED. AID PROJECT				