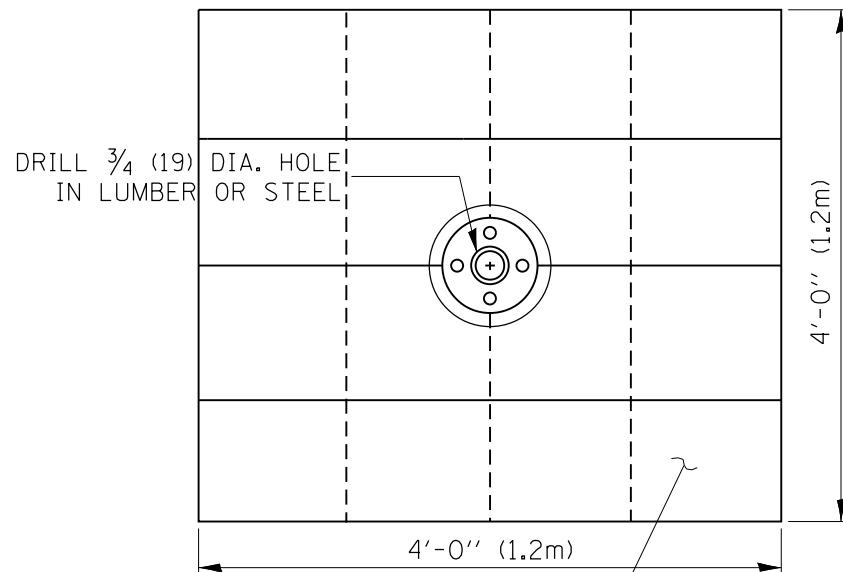
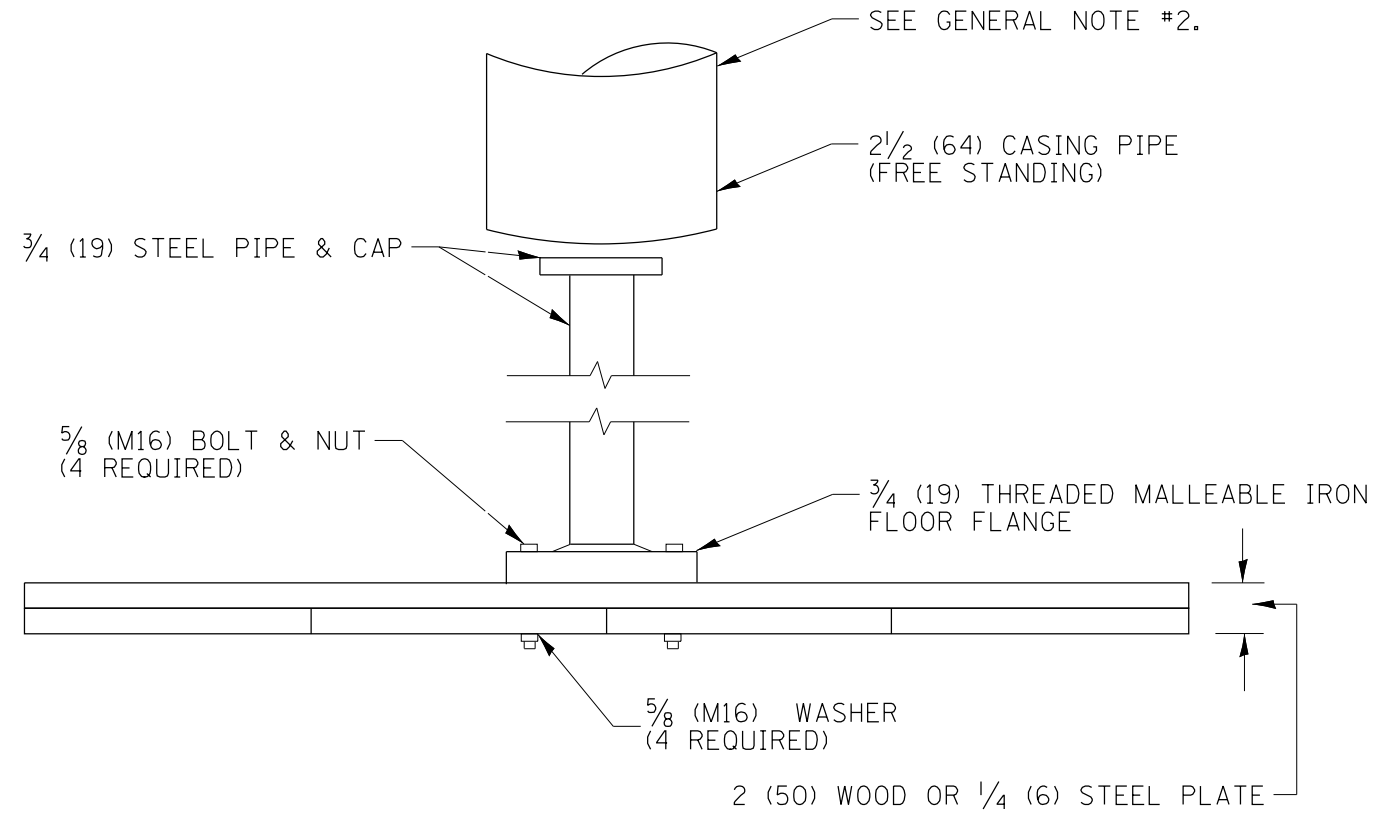


DESIGNER NOTES:  
 1. SEE SOILS REPORT AND BUREAU OF MATERIALS FOR USAGE, LOCATIONS, AND SETTLEMENT RATES.  
 2. CONSIDER USE ON BRIDGE EMBANKMENT AND OTHER SETTLEMENT SENSITIVE FILLS.  
 3. THIS DRAWING ALLOWS FOR WOODBASE PLATE OPTION.



SOUND LUMBER - 1(25) x 12(300) NAILED TOGETHER OR 1/4(6) THICK BY 4'(1.2m) SQUARE STEEL PLATE

GENERAL NOTES:

1. Settlement Platform shall be in accordance with the applicable portions of Article 204.06 of the Standard Specifications.
2. Do Not install casing pipe until after one section of 3/4"(19 mm) has been covered with earth. The casing pipe should not rest on platform.

All dimensions are in inches (millimeters) unless otherwise noted.

1-1-97	RENUM. L-5.04, NEW REVISION BOX, REVISED NOTES, REVISED TITLE BOX	T.P.	8-23-01	UPDATE FOR NEW SPEC.	M.A.	<b>STATE OF ILLINOIS DEPARTMENT OF TRANSPORTATION</b>	<b>SETTLEMENT PLATFORM</b>	F.A. RTE.	SECTION	COUNTY	TOTAL SHEETS	SHEET NO.	
4-14-99	ADDED "CASING PIPE" REQUIREMENT	J.A.	10-16-06	REVISED TO 2007 SPEC.	M.A.			CONTRACT NO.					
5-19-99	CORRECTIONS TO CASING PIPE	J.A.						FED. ROAD DIST. NO.	ILLINOIS	FED. AID PROJECT			

NOT TO SCALE

CADD STD. 205101-D4