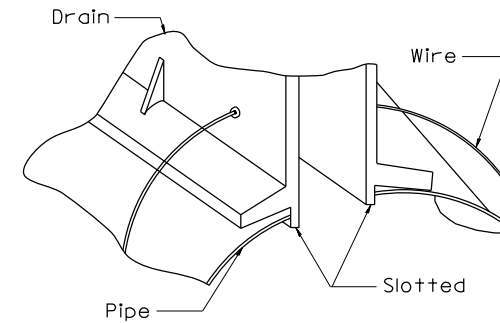
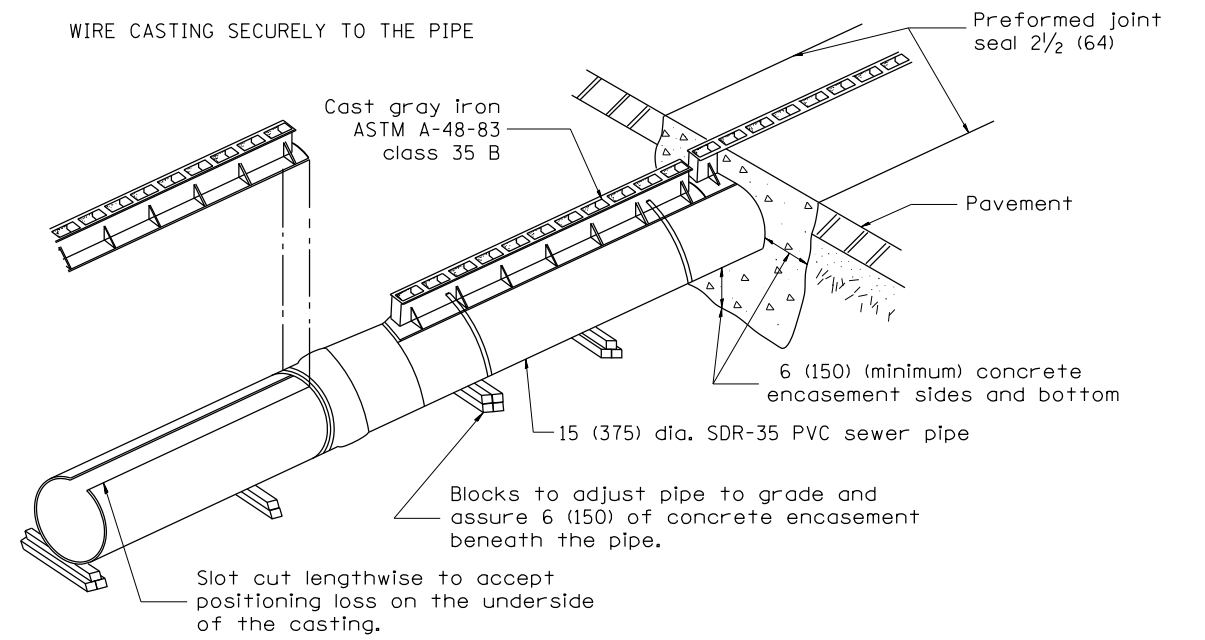
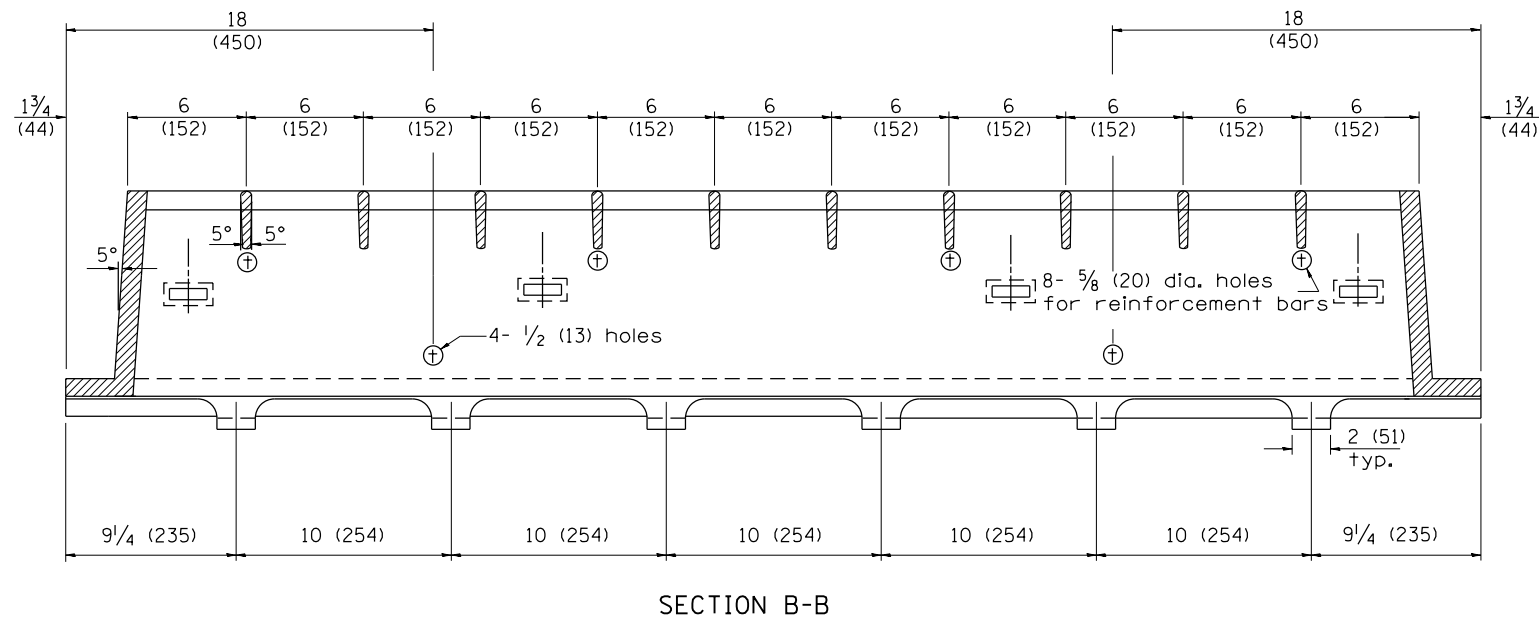
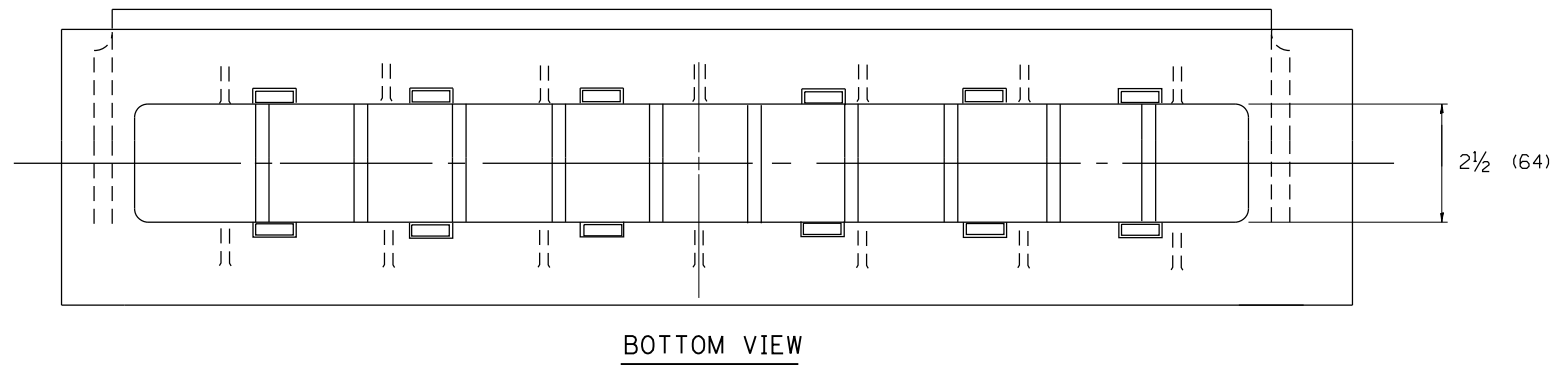
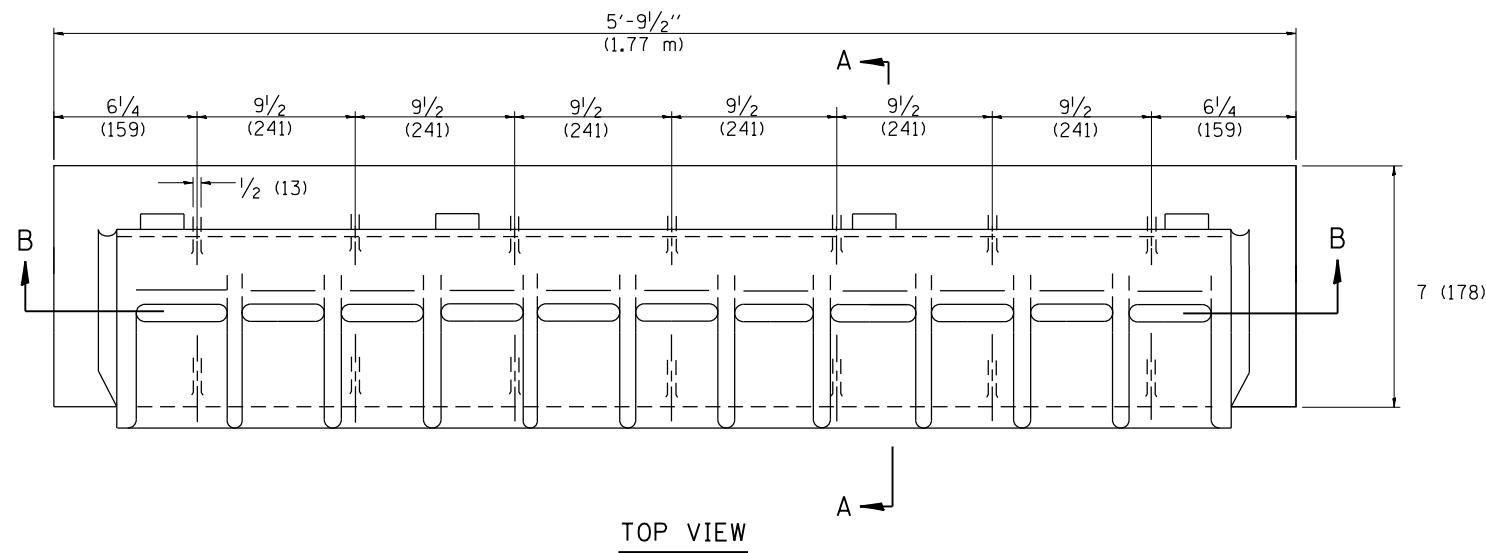
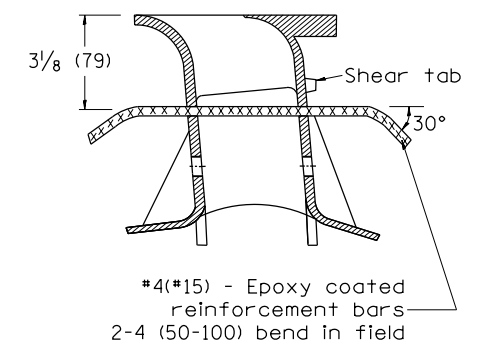
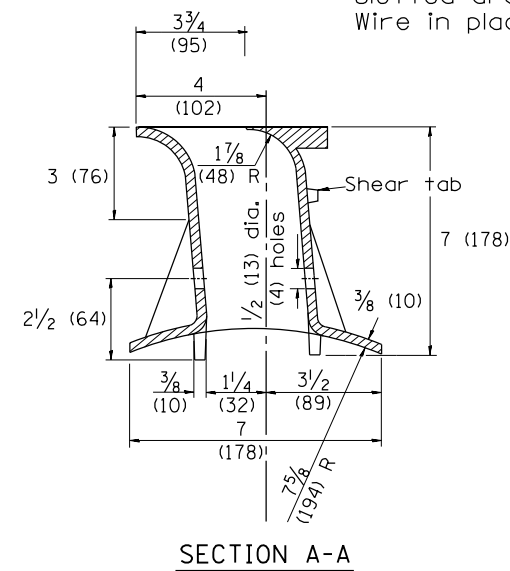


Designer Notes:  
 1. This drawing is based upon a 1985 Neenah drawing (New Products D -0002). Contact Neenah for new shop drawing prior to inclusion in plans.



**NOTE:**  
 Saw slot in pipe. Insert slotted drain in pipe. Wire in place.



All dimensions are in inches (millimeters) unless otherwise noted.

01-01-97	RENUM. B-4.10, NEW REVISION BOX	T.P.
10-16-06	REVISED TO 2007 SPEC.	M.A.

**STATE OF ILLINOIS**  
**DEPARTMENT OF TRANSPORTATION**

**SLOTTED VANE DRAIN**

NOT TO SCALE

CADD ST. 601701-D4

F.A. RTÉ.	SECTION	COUNTY	TOTAL SHEETS	SHEET NO.
CONTRACT NO.				
FED. ROAD DIST. NO. ILLINOIS FED. AID PROJECT				