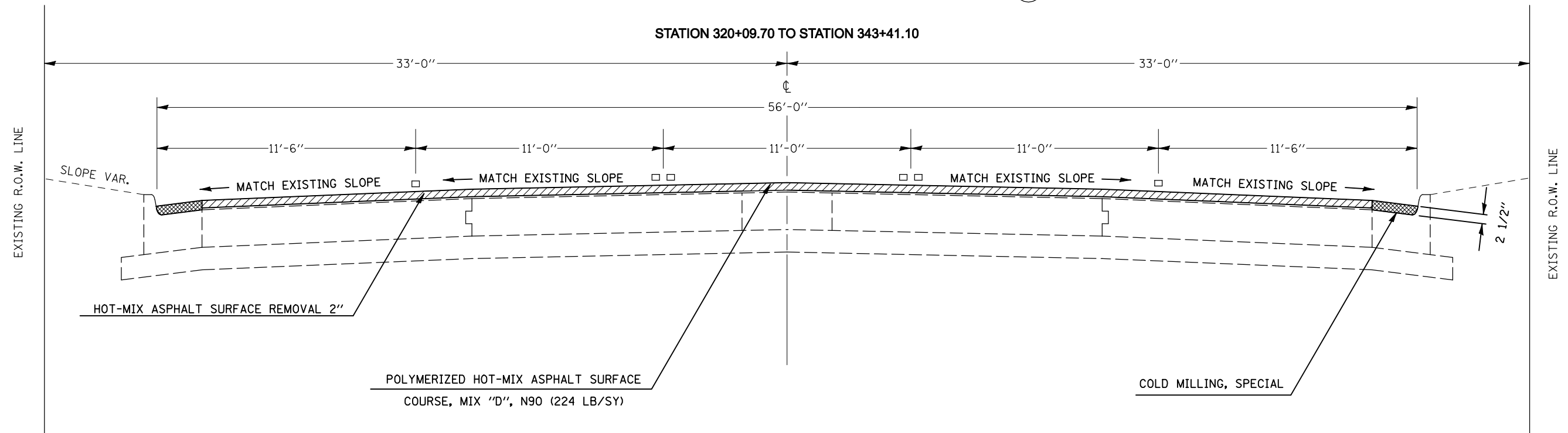
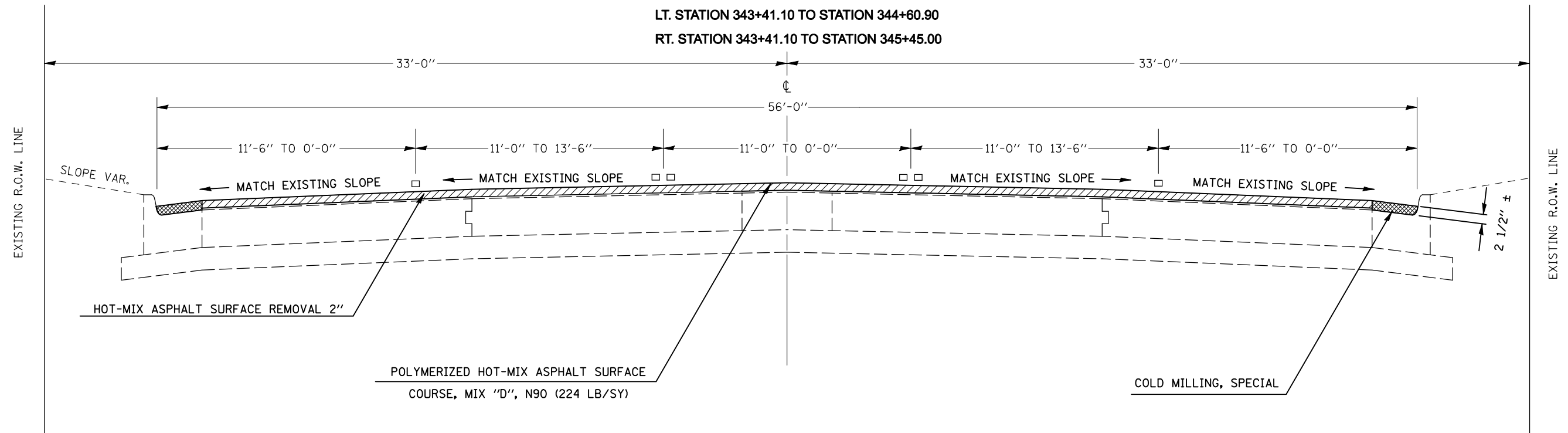


## PROPOSED TYPICAL CROSS SECTION ①



## PROPOSED TYPICAL CROSS SECTION ②



FILE NAME =	USER NAME = hoganbj	DESIGNED -	REVISD -
ct:\pw\work\PWIDOT\HOGANBJ\d0142445\d574782\sh-typical1.dgn		DRAWN -	REVISD -
PLOT SCALE = 40.0000' / IN.		CHECKED -	REVISD -
PLOT DATE = 10/19/2009		DATE -	REVISD -

**STATE OF ILLINOIS  
DEPARTMENT OF TRANSPORTATION**

**PROPOSED TYPICAL CROSS SECTIONS**

SCALE: \_\_\_\_\_ SHEET NO. \_\_\_ OF \_\_\_ SHEETS STA. \_\_\_\_\_ TO STA. \_\_\_\_\_

F.A.P. RTE.	SECTION	COUNTY	TOTAL SHEETS	SHEET NO.
725	(32R,Z)RS-4	CHAMPAIGN	35	8
CONTRACT NO. 70782			ILLINOIS FED. AID PROJECT	