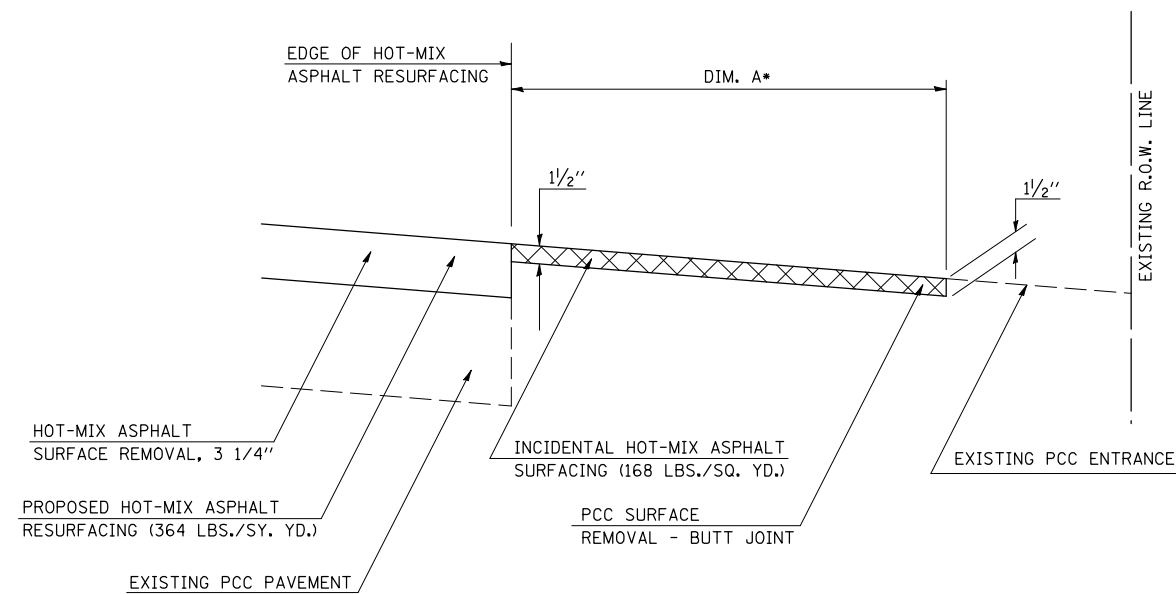
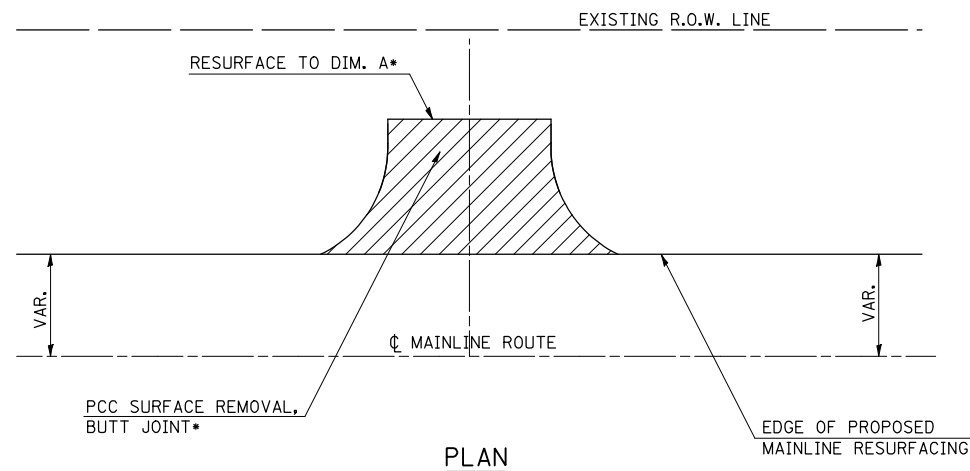


DETAIL OF PRIVATE AND COMMERCIAL ENTRANCES

LT. STA. 344 + 60.90 TO LT. STA. 366 + 38.17

RT. STA. 345 + 45.00 TO RT. STA. 366 + 38.17



GENERAL NOTES

1. THE EXISTING SURFACE SHALL BE PREPARED IN ACCORDANCE WITH SECTION 408 OF THE STANDARD SPECIFICATIONS.
2. THE INCIDENTAL HOT-MIX ASPHALT SURFACING IS INTENDED TO RESURFACE THE EXISTING ENTRANCES IN THEIR ENTIRETY. THE EXISTING ENTRANCES SHOULD BE RESURFACED TO MAINTAIN THEIR CURRENT RADII AND SHALL BE RESURFACED TO THE DIM. A SHOWN ON THE CHART ON THE RIGHT SIDE OF THIS PAGE.

*SEE CHART ON RIGHT SIDE OF PAGE FOR A LIST OF ENTRANCES COVERED BY THIS DETAIL, DIMENSIONS AND TYPES OF BUTT JOINTS.

STATION	LT. OR RT.	TYPE	DIMA	TYPE OF MILLING
347+51.50	RT.	P.E.	FRONT OF SIDEWALK	PCC
348+03.82	RT.	P.E.	FRONT OF SIDEWALK	PCC
348+57.62	RT.	P.E.	FRONT OF SIDEWALK	PCC
350+45.50	RT.	P.E.	FRONT OF SIDEWALK	PCC
351+01.52	RT.	P.E.	FRONT OF SIDEWALK	PCC
351+51.85	RT.	P.E.	FRONT OF SIDEWALK	PCC
354+17.66	RT.	P.E.	FRONT OF SIDEWALK	PCC
354+72.54	RT.	P.E.	FRONT OF SIDEWALK	PCC
355+26.80	RT.	P.E.	FRONT OF SIDEWALK	PCC
357+74.66	RT.	P.E.	FRONT OF SIDEWALK	PCC
357+99.14	RT.	P.E.	FRONT OF SIDEWALK	PCC
358+06.74	LT.	P.E.	FRONT OF SIDEWALK	PCC
358+34.76	LT.	P.E.	FRONT OF SIDEWALK	PCC
358+99.93	LT.	P.E.	FRONT OF SIDEWALK	PCC
359+58.50	LT.	P.E.	FRONT OF SIDEWALK	PCC
361+30.76	LT.	P.E.	FRONT OF SIDEWALK	PCC
361+78.30	RT.	P.E.	FRONT OF SIDEWALK	PCC
363+76.12	LT.	P.E.	FRONT OF SIDEWALK	PCC
364+04.84	LT.	P.E.	FRONT OF SIDEWALK	PCC

FILE NAME =	USER NAME = hoganbj	DESIGNED - BJH	REVISED -
ct:\pwork\pwork\DOT\HOGANBJ\d0142445\0570782-sht-details.dgn		DRAWN - 9/29/2009	REVISED -
	PLOT SCALE = 40.0000' / IN.	CHECKED -	REVISED -
	PLOT DATE = 10/19/2009	DATE -	REVISED -

**STATE OF ILLINOIS
DEPARTMENT OF TRANSPORTATION**

P.E. & C.E. RESURFACING DETAILS

SCALE: _____ SHEET NO. ___ OF ___ SHEETS STA. _____ TO STA. _____

F.A.P. RTE.	SECTION	COUNTY	TOTAL SHEETS	SHEET NO.
725	(32R,2)RS-4	CHAMPAIGN	35	28
ILLINOIS FED. AID PROJECT			CONTRACT NO. 70782	