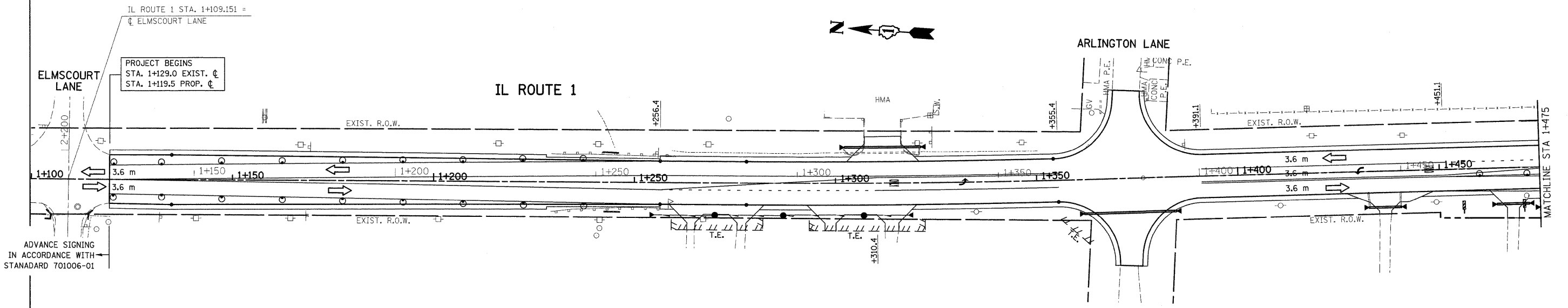



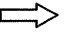
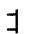
F.A.P. RTE.	SECTION	COUNTY	TOTAL SHEETS	SHEET NO.
876	9Y-RS-7	WILL	100	21
STA. 1+100		TO STA. 1+475		
FED. ROAD DIST. NO. 1		ILLINOIS FED. AID PROJECT		
CONTRACT NO. 60E52				



ADVANCE SIGNING  
IN ACCORDANCE WITH  
STANADARD 701006-01

PROJECT BEGINS  
STA. 1+129.0 EXIST.  $\phi$   
STA. 1+119.5 PROP.  $\phi$

**LEGEND**

-  WORK ZONE
-  TRAFFIC FLOW
-  TYPE III BARRICADE WITH FLASHING LIGHTS

REVISIONS		ILLINOIS DEPARTMENT OF TRANSPORTATION SUGGESTED MAINTENANCE OF TRAFFIC IL. 1 STAGE II
NAME	DATE	
		SCALE 1:500 DATE 9/3/2008 DRAWN BY CHECKED BY