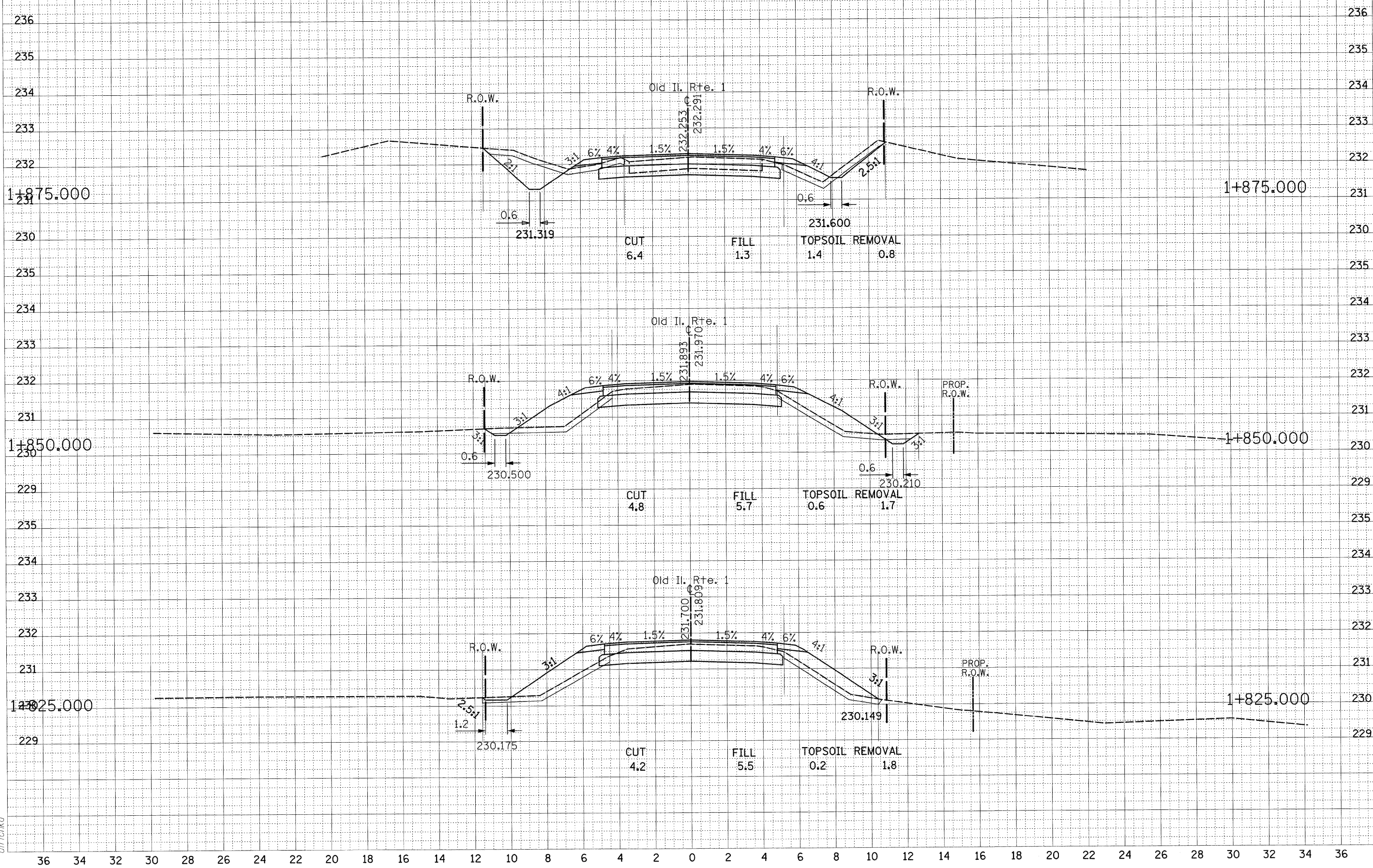


F.A.E. RTE.	SECTION	COUNTY	TOTAL SHEETS	SHEET NO.
876	9Y-BS-7	WILL	100	100
STA. 1+825		TO STA. 1+875		
FED. ROAD DIST. NO. 1 ILLINOIS FED. AID PROJECT				
CONTRACT NO. 60E32				



9/3/2008
 c:\projects\136602\vs_olddll_2.dgn
 ulrtahkd