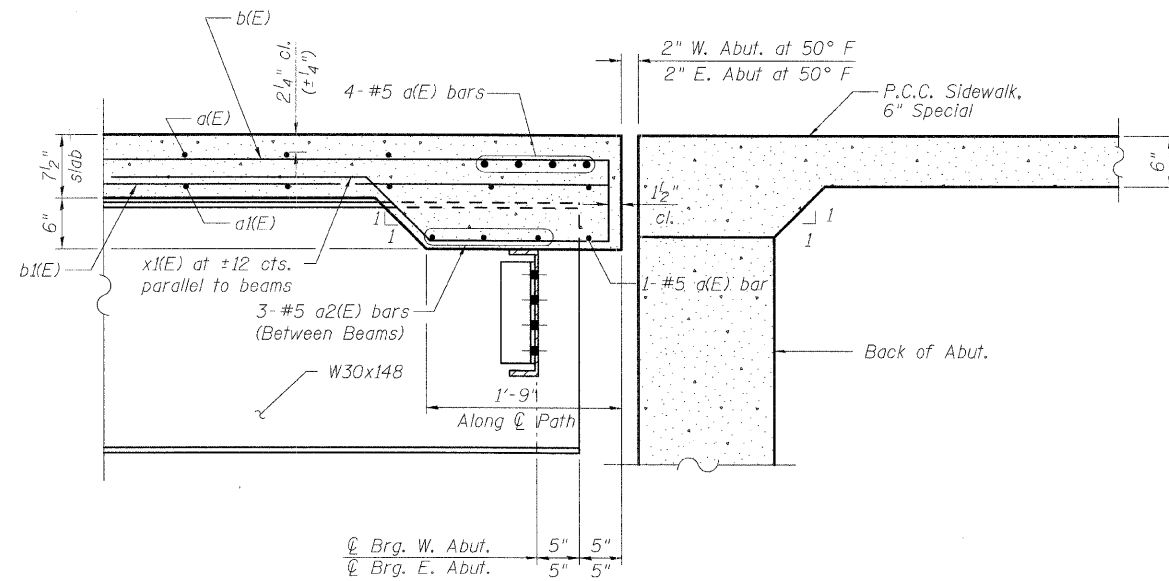


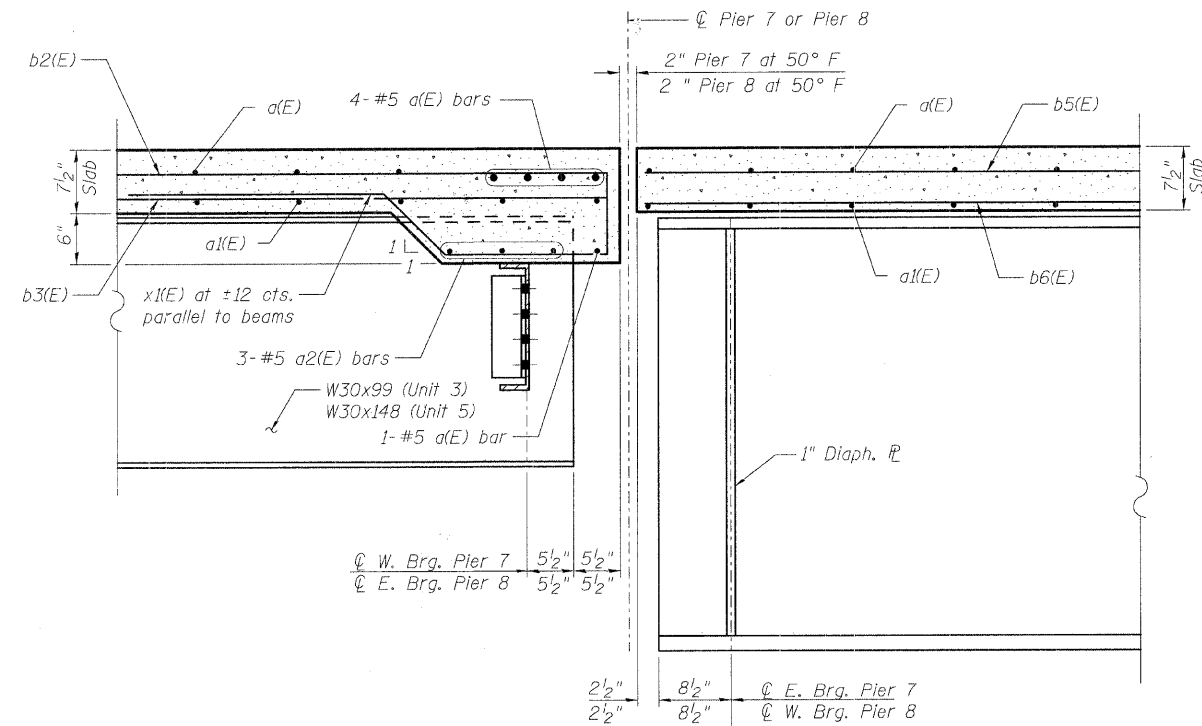
ROUTE NO.	SECTION	COUNTY	TOTAL SHEETS	SHEET NO.
FAU 2505	94-P4008-01-BR	KANE	81	38
FED. ROAD DIST. NO. 7	ILLINOIS	FED. AID PROJECT-		

Contract #83984

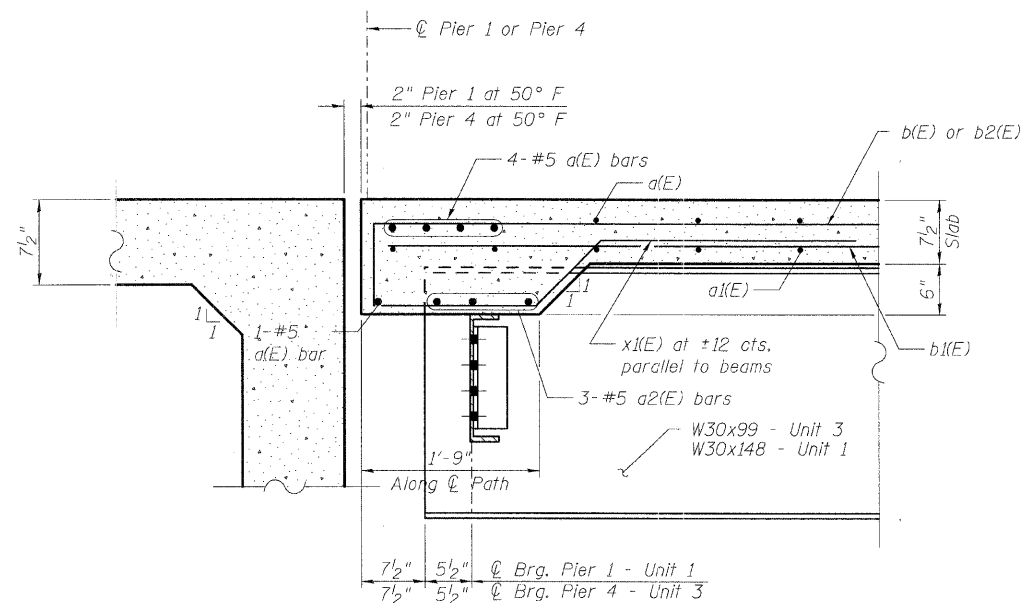
SHEET NO. S-14
S-42 SHEETS



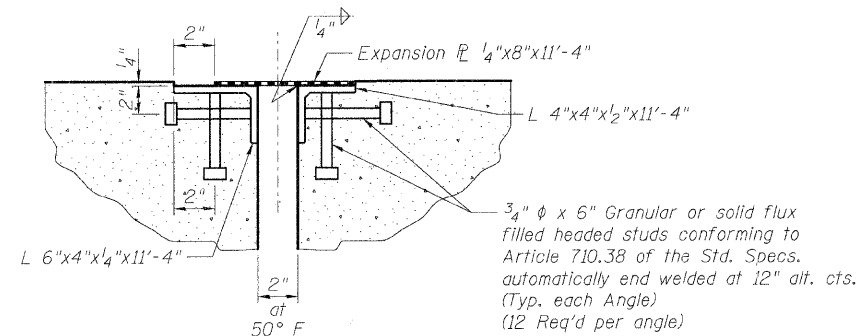
SECTION A1-A1
(At Abutments)



SECTION A3-A3
(Pier 7 & Pier 8)



SECTION A2-A2
(Pier 1 & Pier 4)



JOINT DETAIL

DESIGNED	MJD
CHECKED	AEU
DRAWN	MJD
CHECKED	AEU

NOTES:
Work this sheet with sheets S-9 through S-13

RHA&A
Robert H. Anderson & Associates, Inc.
Consulting Engineers
License No. 184-005281

DECK DETAILS

PEDESTRIAN BRIDGE OVER RANDALL ROAD
AT SILVER GLEN ROAD
FAU 2505, SECTION 94-P4008-01-BR
KANE COUNTY
STRUCTURE NO. 045-9000

DATE: OCTOBER 31, 2008