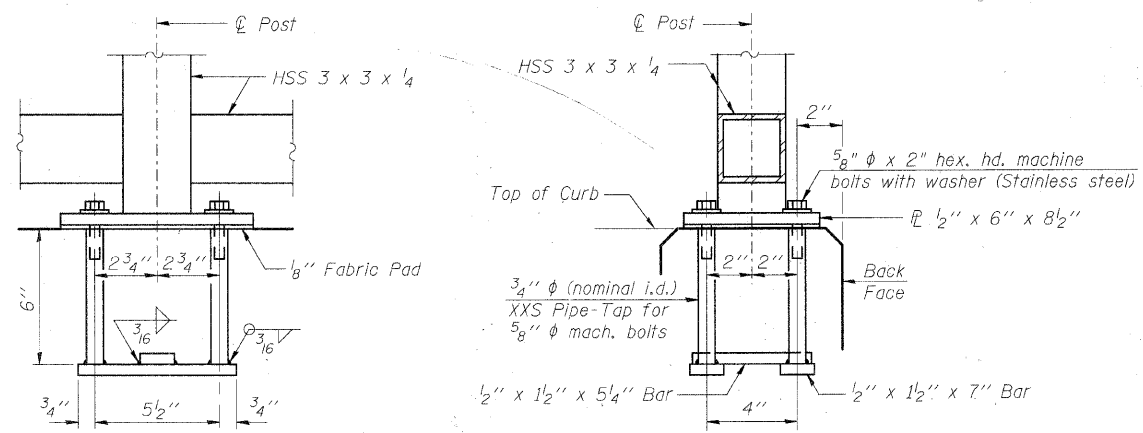
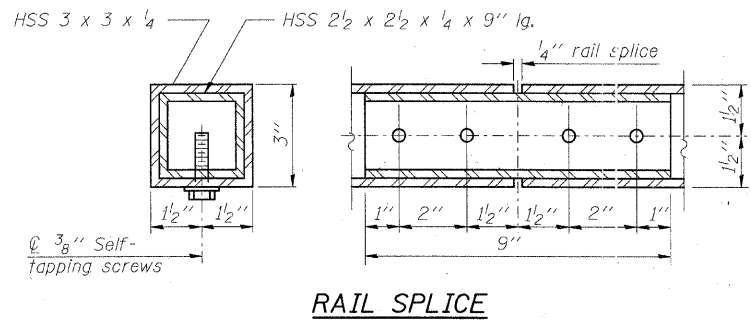
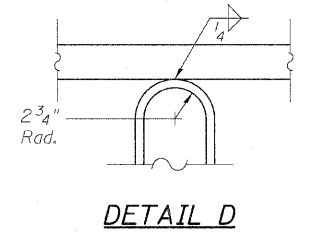
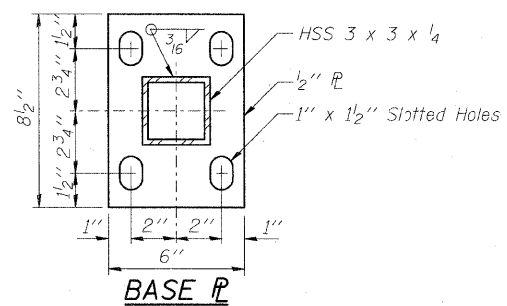
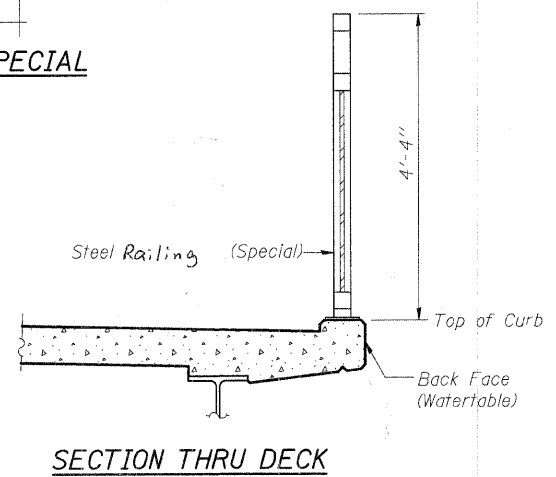
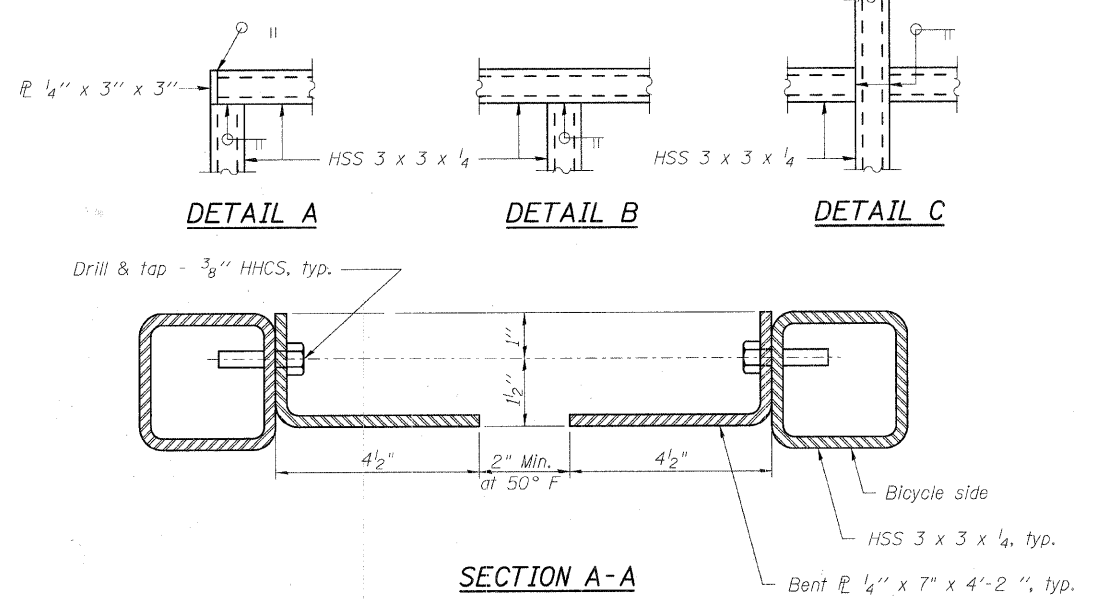
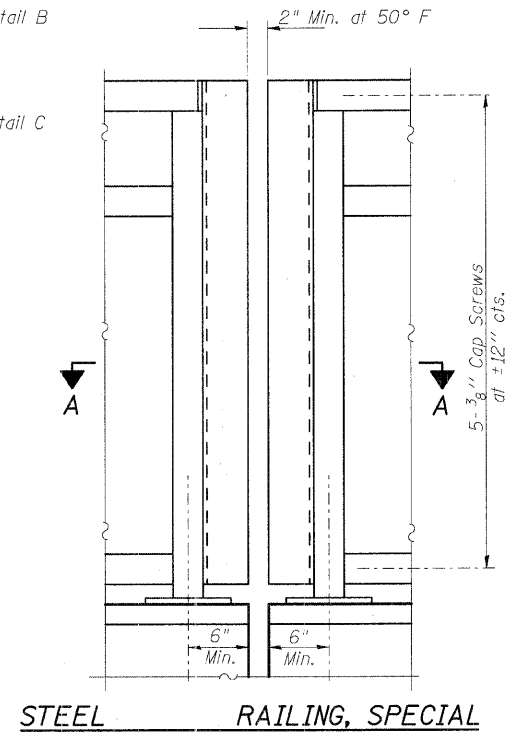
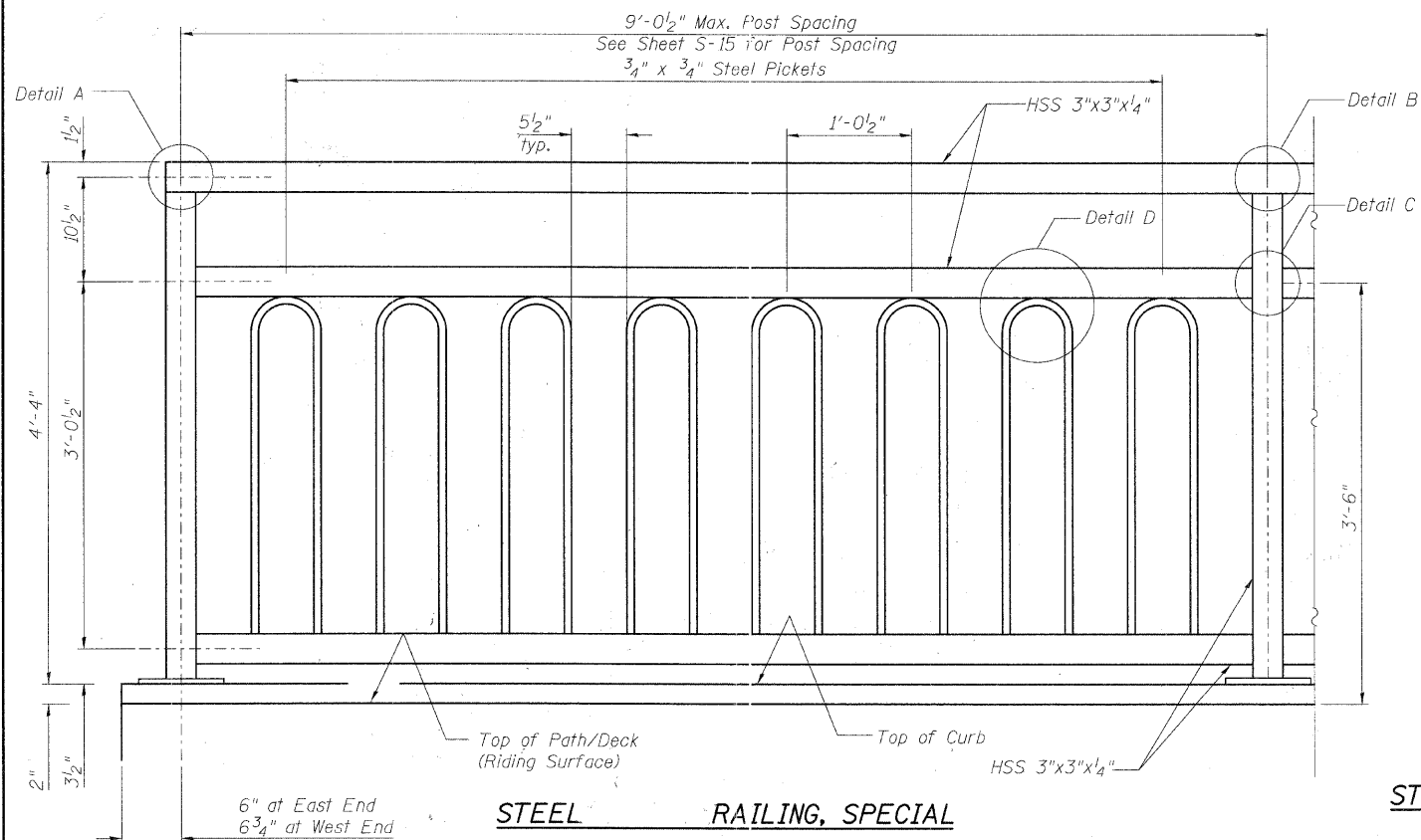


ROUTE NO.	SECTION	COUNTY	TOTAL SHEETS	SHEET NO.	SHEET NO. S-16 S-42 SHEETS
FAU 2505	94-P4008-01-BR	KANE	81	40	
PRO. FORM C857, NO. 7	ILLINOIS	FED. AID PROJECT-			

Contract #83984



NOTES:

Space reinforcement to miss anchor rods.

All post, railing, splices, anchor devices, and bent plates shall be painted using one coat of zinc rich primer and two coats of black acrylic enamel paint.

The exact color shall be submitted to the Engineer for approval prior to painting any railing elements.

BILL OF MATERIAL

Item	Unit	Quantity
Steel RAILING (Special)	Foot	1,493

DESIGNED	MJD
CHECKED	AEU
DRAWN	MJD
CHECKED	AEU

ANCHOR BOLT DETAILS

In lieu of the cast-in-place anchor device shown, the Contractor has the option of drilling and setting 5/8" φ anchor rods according to Article 509.06 of the Standard Specifications. Embedment shall be according to the manufacturer's specifications.

RHA&A

Robert H. Anderson & Associates, Inc.
Consulting Engineers
License No. IB4-005281

BRIDGE RAILING DETAILS I

PEDESTRIAN BRIDGE OVER RANDALL ROAD
AT SILVER GLEN ROAD
FAU 2505, SECTION 94-P4008-01-BR
KANE COUNTY
STRUCTURE NO. 045-9000
DATE: OCTOBER 31, 2008