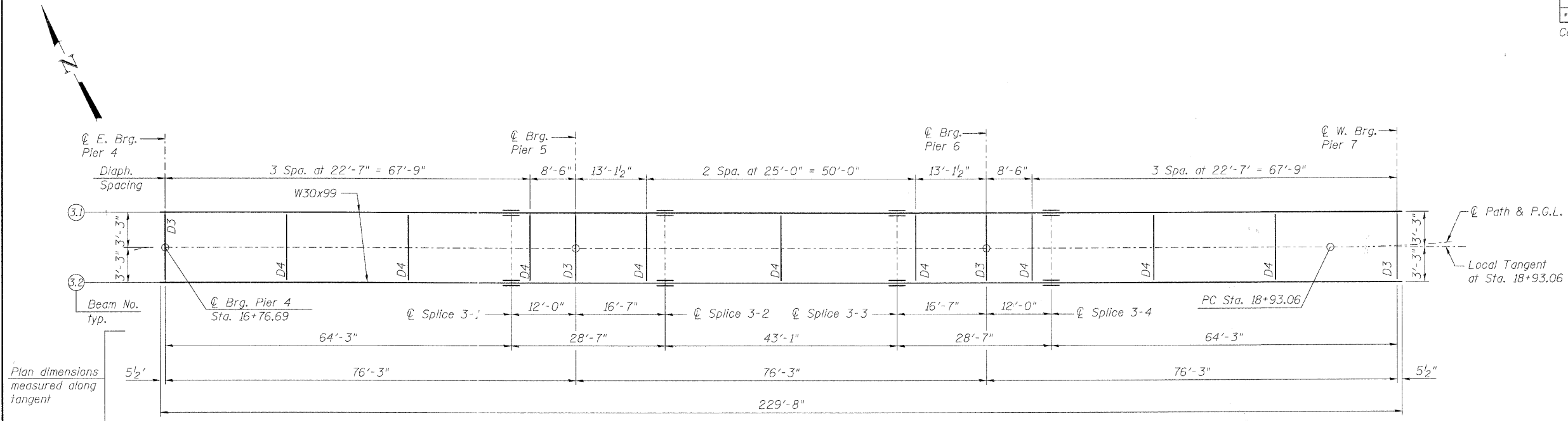


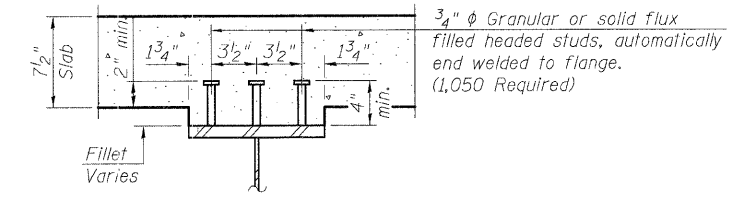
ROUTE NO.	SECTION	COUNTY	TOTAL SHEETS	SHEET NO.
FAU 2505	94-P4008-01-BR	KANE	81	43
FED. ROAD DIST. NO. 7	ILLINOIS	FED. AID PROJECT-		

SHEET NO. S-19
S-42 SHEETS

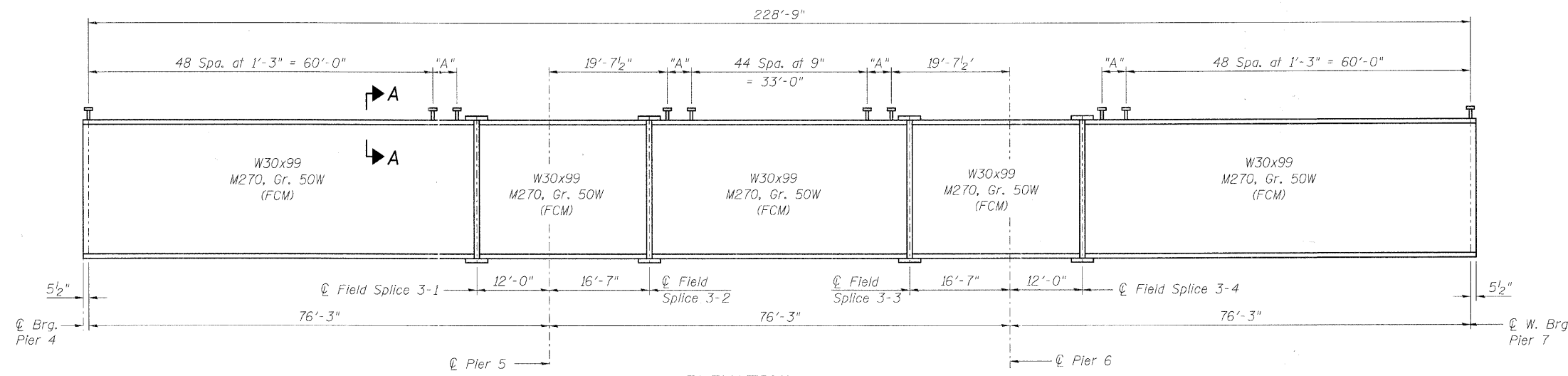
Contract #83984



FRAMING PLAN
(Unit 3)



SECTION A-A



ELEVATION

"FCM" Indicates Fracture Critical Member
Note: "A" denotes 8 spaces at 3"

BILL OF MATERIAL

Item	Unit	Total
Stud Shear Connectors	Each	1,050

DESIGNED	MJD
CHECKED	AEU
DRAWN	MJD
CHECKED	AEU



Robert H. Anderson & Associates, Inc.
Consulting Engineers
License No. 184-005281

STRUCTURAL STEEL
UNIT 3
PEDESTRIAN BRIDGE OVER RANDALL ROAD
AT SILVER GLEN ROAD
FAU 2505, SECTION 94-P4008-01-BR
KANE COUNTY
STRUCTURE NO. 045-9000
DATE: OCTOBER 31, 2008