

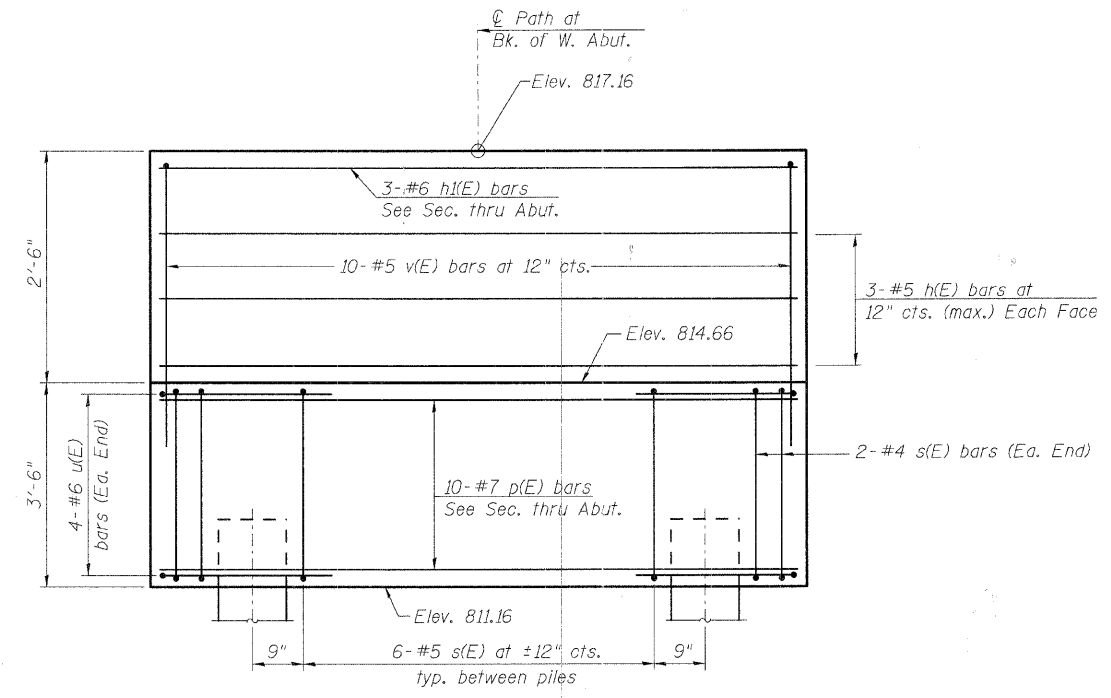
Contract #83984

PILE DATA

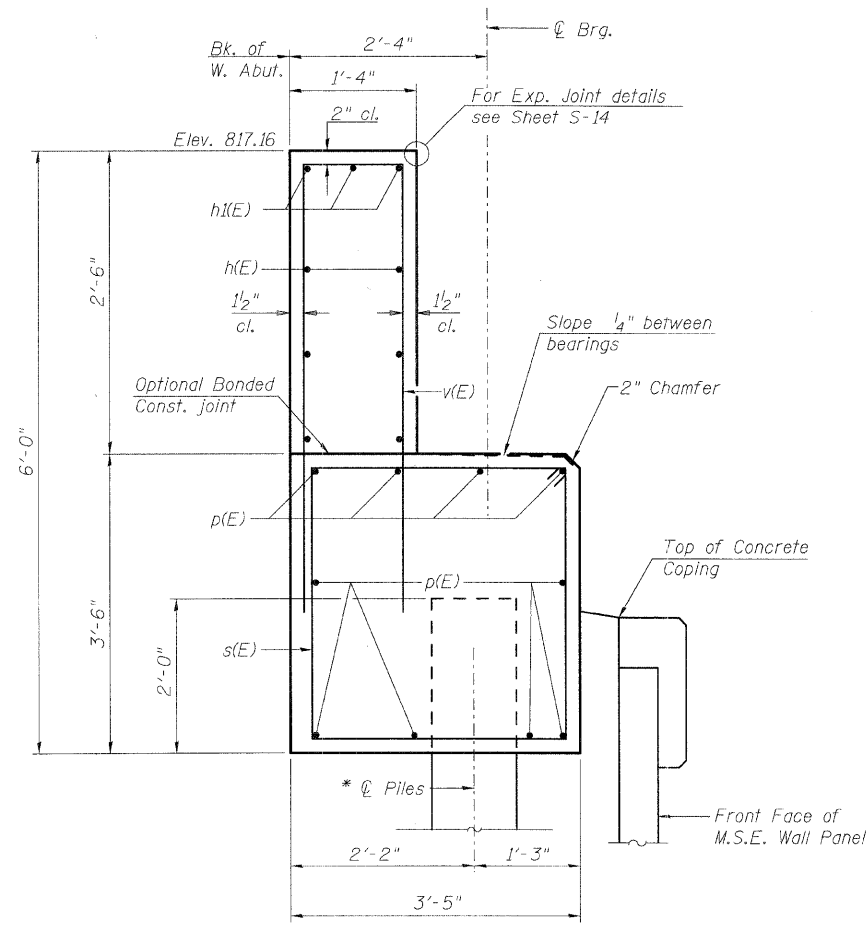
Type & Size: Metal Shell-12 in. dia. x 0.250 in. walls w/ metal shoes
 Nominal Required Bearing: 330 Kips
 Allowable Resistance Available: 110 Kips
 Est. Length: 45 ft.
 No. Production Piles: 2
 No. Test Piles: 0

**WEST ABUTMENT
BILL OF MATERIAL**

Bar	No.	Size	Length	Shape
h(E)	6	#5	9'-5"	—
h(E)	3	#6	9'-5"	—
p(E)	10	#7	9'-5"	—
s(E)	10	#5	13'-3"	□
u(E)	8	#6	7'-5"	J
v(E)	10	#5	10'-1"	U
Concrete Structures		Cu. Yd.	5.5	
Reinforced Bars, Epoxy Coated		Pound	630	
Driving Piles		Foot	90	
Furnishing Metal Shell Piles 12"x0.250"		Foot	90	
Pile Shoes		Each	2	
Concrete Sealer		Sq. Ft.	77	

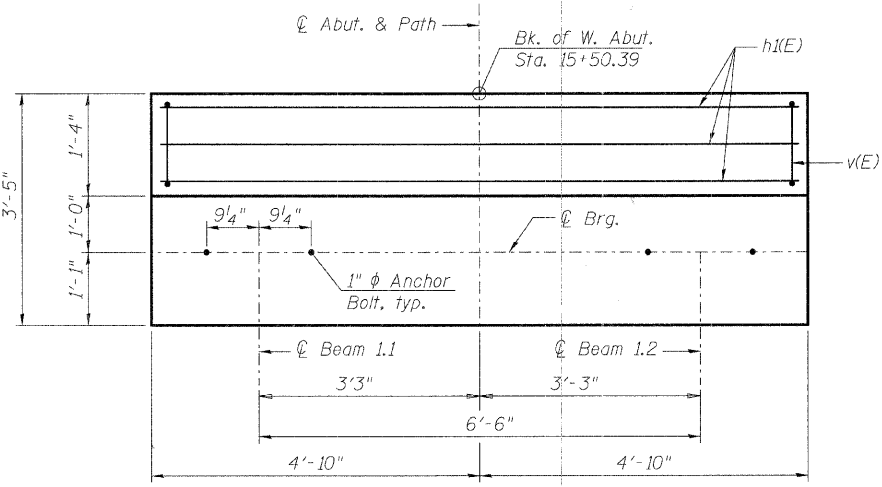


ELEVATION

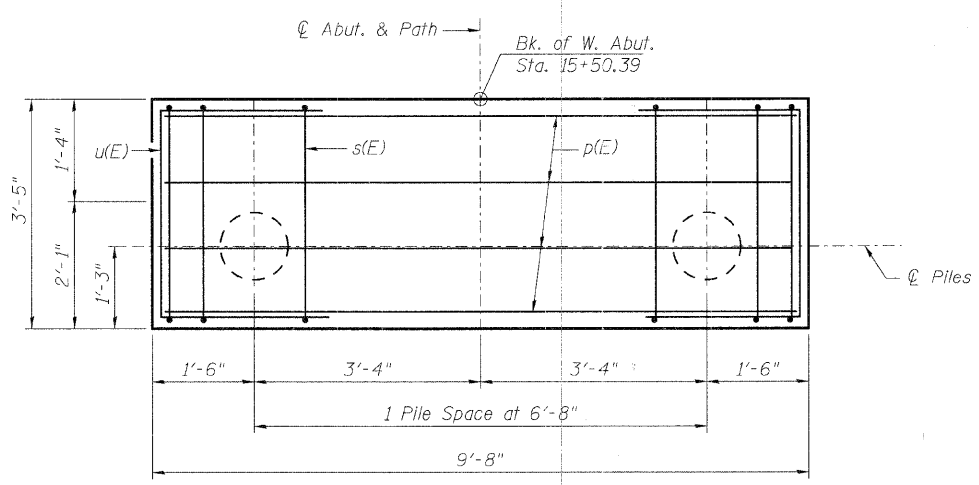


SEC. THRU ABUT.

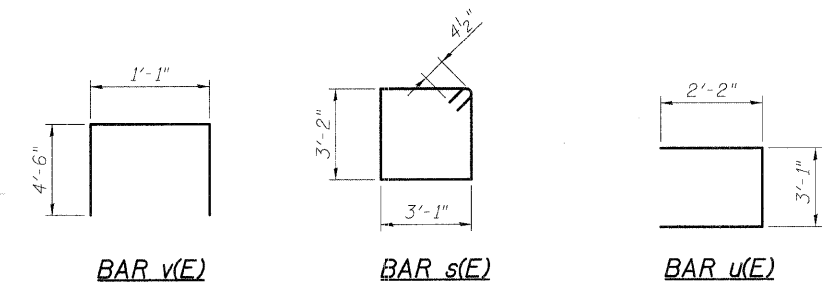
* Piles shall be driven prior to placement of the reinforced select fill and coated with coal tar epoxy from the bottom of the select fill to 1" above the base of the abutment. The cost of the coal tar epoxy coating shall be included with the cost of "Furnishing Metal Shell Piles 12"x 0.250".



TOP VIEW



PLAN - PILE CAP



NOTES:

- The M.S.E. wall supplier shall design the abutment soil reinforcement to resist a horizontal force of 0.34 kips/ft. of abutment.
- Space reinforcement in cap to miss anchor bolts.
- See sheet S-36 for M.S.E. Wall Details.
- The metal shell piles shall be according to ASTM A 252 Grade 3.

DESIGNED	MJD
CHECKED	AEU
DRAWN	MJD
CHECKED	AEU

RHA&A
 Robert H. Anderson & Associates, Inc.
 Consulting Engineers
 License No. 184-005281

**WEST ABUTMENT
PLAN AND DETAILS**
 PEDESTRIAN BRIDGE OVER RANDALL ROAD
 AT SILVER GLEN ROAD
 FAU 2505, SECTION 94-P4008-01-BR
 KANE COUNTY
 STRUCTURE NO. 045-9000
 DATE: OCTOBER 31, 2008