

PILE DATA

Type & Size: Metal Shell - 12 in. dia. x 0.250 in. walls w/ pile shoes
 Nominal Required Bearing: 330 kips
 Allowable Resistance Available: 110 kips
 Est. Length: 45 ft.
 No. Production Piles: 8
 No. Test Piles: 0

ROUTE NO.	SECTION	COUNTY	SHEET NO.	SHEET	SHEET NO. S-28
FAU 2505	94-P4008-01-BR	KANE	81	52	S-42 SHEETS
FED. ROAD DIST. NO. 7	ILLINOIS	FED. AID PROJECT			

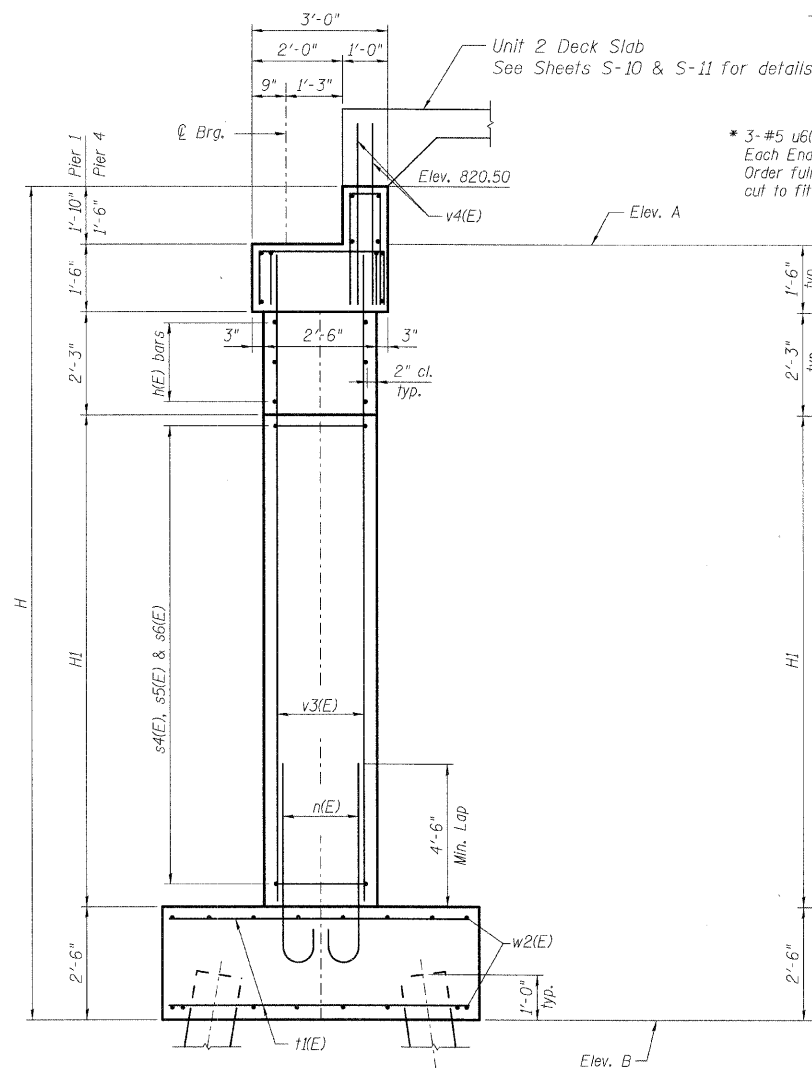
Contract #83984

BILL OF MATERIAL
(Piers 1 & 4)

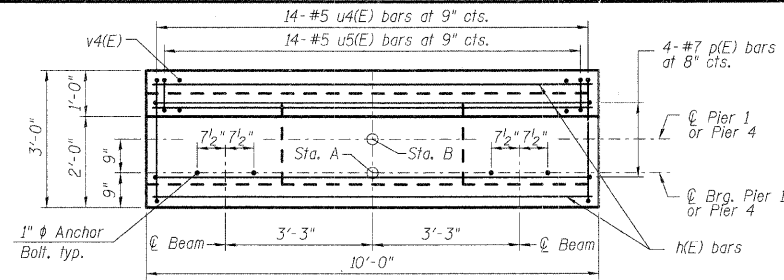
Bar	No.	Size	Length	Shape
h(E)	28	#5	9'-8"	—
n(E)	40	#8	7'-5"	—
p(E)	8	#7	12'-0"	—
s4(E)	20	#5	11'-11"	□
s5(E)	20	#5	10'-5"	□
s6(E)	20	#5	7'-1"	□
t(E)	32	#8	6'-8"	—
u(E)	8	#7	12'-10"	—
u3(E)	12	#5	5'-4"	□
u4(E)	28	#5	5'-0"	□
u5(E)	28	#5	6'-0"	□
u6(E)	12	#5	6'-8"	□
v3(E)	40	#8	12'-5"	—
v4(E)	44	#6	4'-6"	—
w2(E)	32	#8	6'-8"	—
Structure Excavation			Cu. Yd.	35.9
Concrete Structures			Cu. Yd.	23.3
Reinforcement Bars, Epoxy Coated			Pound	5,320
Furnishing Metal Shell Piles 12" dia. x 0.250 in.			Foot	360
Driving Piles			Foot	360
Pile Shoes			Each	8
Form Liner Textured Surface			Sq. Ft.	337
Staining Concrete Structures			Sq. Yd.	37
Concrete Sealer			Sq. Ft.	93

NOTES:

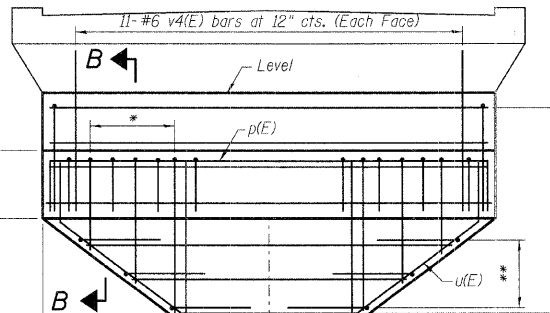
Space reinforcement in cap to miss anchor bolts.
 See Sheet S-37 for Architectural Details.



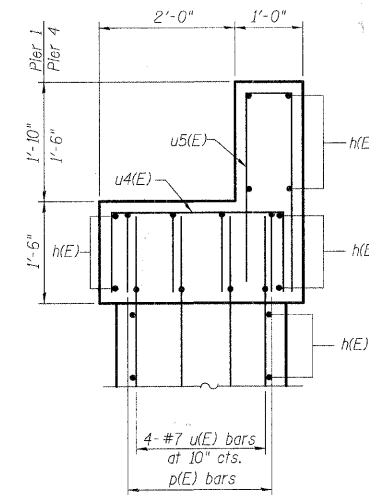
END VIEW



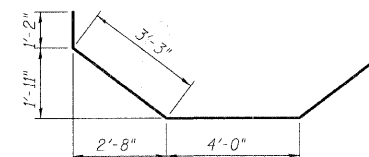
TOP PLAN



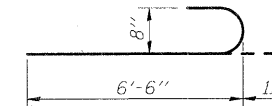
SECTION A-A



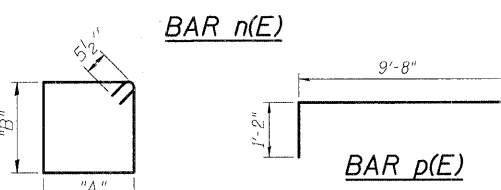
SECTION B-B



BAR u(E)



BAR n(E)



BARS s4(E), s5(E) & s6(E)

A & B DIMENSIONS

Bar	"A"	"B"
s4(E)	3'-6"	2'-0"
s5(E)	3'-6"	1'-3"
s6(E)	1'-1"	2'-0"

A & B DIMENSIONS

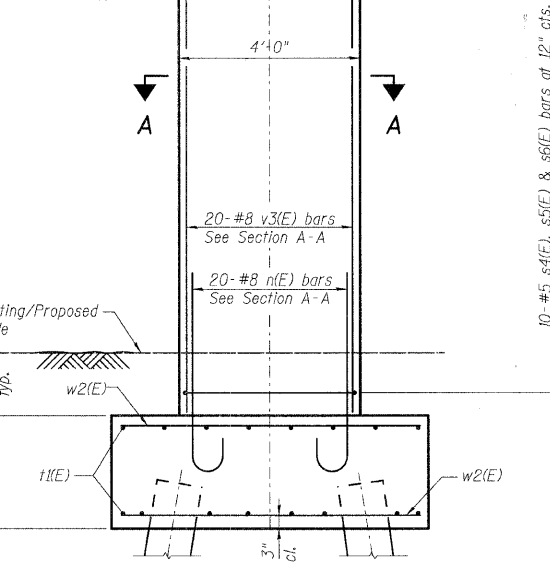
Bar	"A"	"B"
u3(E)	2'-0"	1'-8"
u4(E)	2'-8"	1'-2"
u5(E)	8"	2'-8"
u6(E)	2'-0"	2'-4"

BARS u3(E), u4(E), u5(E) & u6(E)

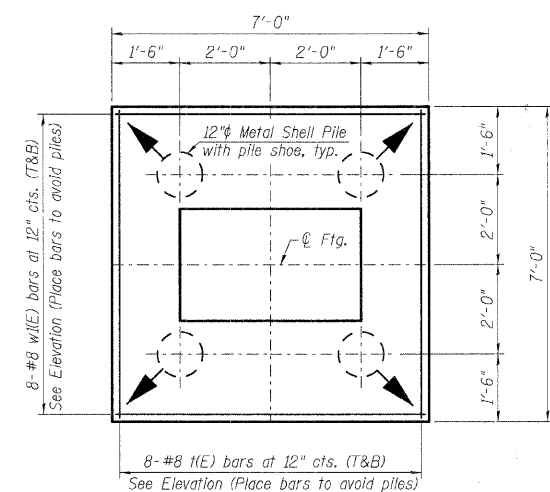
PIER TABLE

PIER NO.	STA. A	STA. B	ELEV. A	ELEV. B	H (FT)	HI (FT)
1	16+29.47	16+30.22	818.69	803.50	17.00	8.94
4	16+76.69	16+75.94	819.00	803.50	17.00	9.25

DESIGNED	MJD
CHECKED	AEU
DRAWN	MJD
CHECKED	AEU



ELEVATION
(Looking West)



FOOTING PLAN



Robert H. Anderson & Associates, Inc.
 Consulting Engineers
 License No. 184-005281

PIERS 1 AND 4

PEDESTRIAN BRIDGE OVER RANDALL ROAD
 AT SILVER GLEN ROAD
 FAU 2505, SECTION 94-P4008-01-BR
 KANE COUNTY
 STRUCTURE NO. 045-9000

DATE: OCTOBER 31, 2008