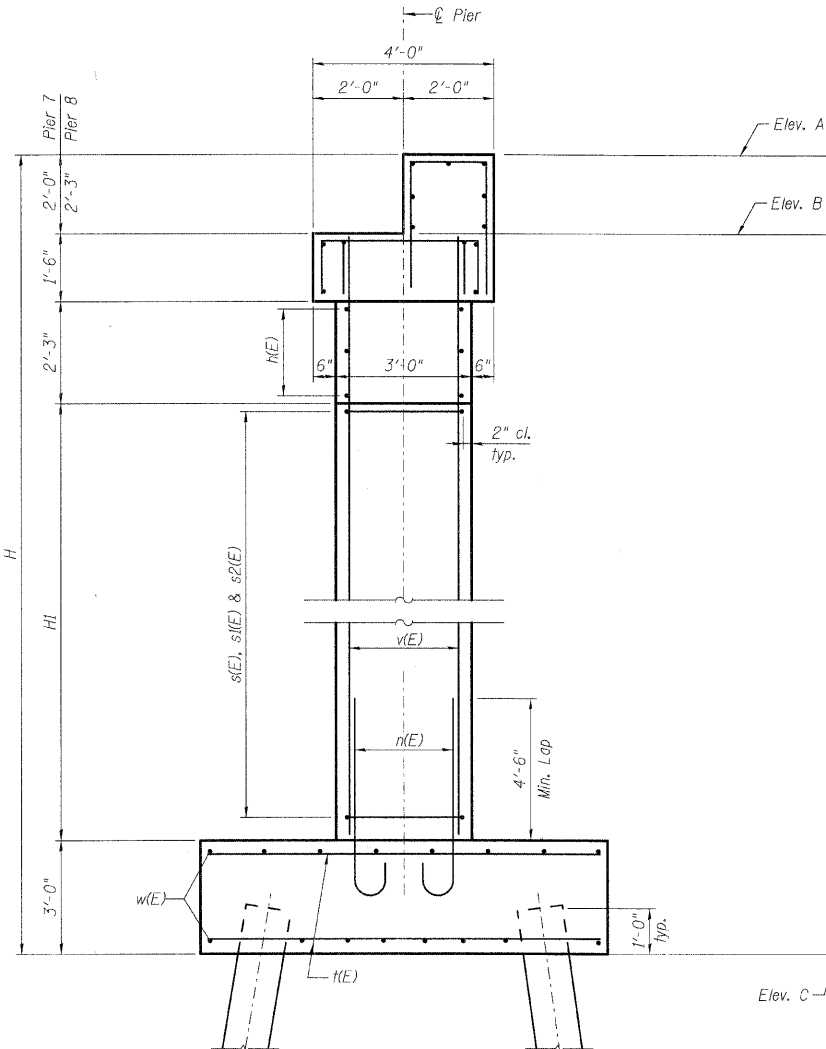


PILE DATA

Type & Size: Metal Shell 12 in. dia. x 0.250 in. walls w/ pile shoes
 Nominal Required Bearing: 330 kips
 Allowable Resistance Available: 110 kips
 Est. Length: 45 ft.
 No. Production Piles: 11
 No. Test Piles: 1 (Pier 7)

Indicates direction of 12V:2H Pile Batter

*See Sheet S-22 for Anchor Bolt details for Pier 7E



END VIEW

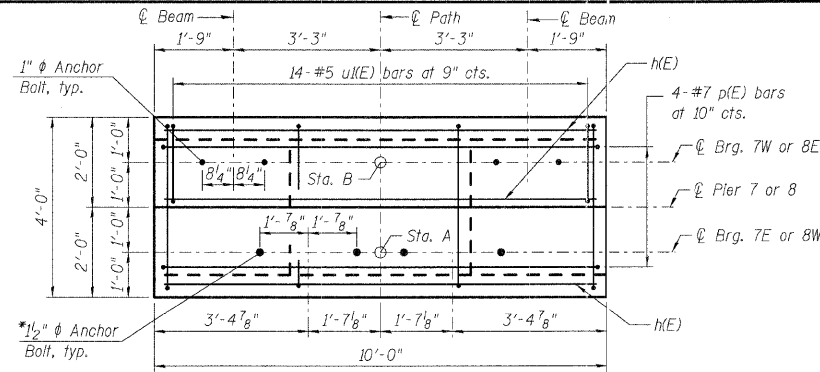
PIER TABLE

PIER NO.	STA. A	STA. B	ELEV. A	ELEV. B	ELEV. C	H (FT)	HI (FT)
7	19+07.44	19+05.44	830.23	828.18	801.75	28.48	19.68
8	20+81.44	20+83.44	830.01	827.72	801.00	29.01	19.97

DESIGNED	MJD
CHECKED	AEU
DRAWN	MJD
CHECKED	AEU

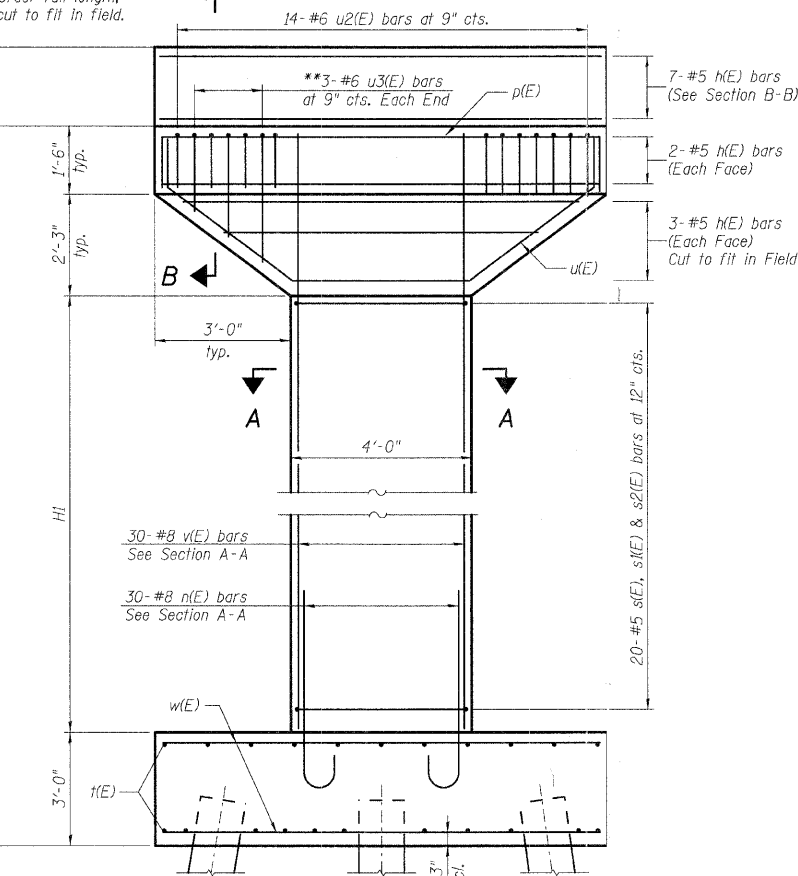
NOTES:

Space reinforcement in cap to miss anchor bolts.
 See Sheet S-37 for Architectural Details.

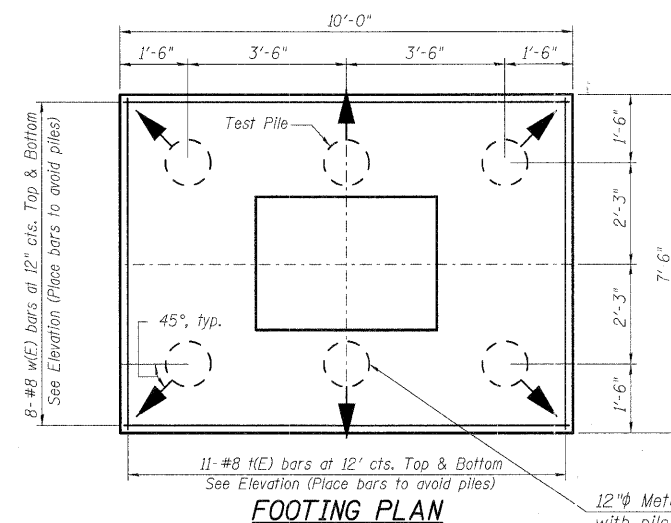


TOP PLAN

**Order full length, cut to fit in field.

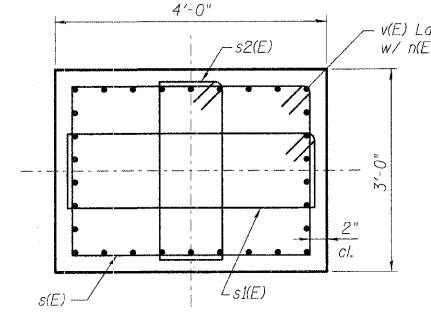


ELEVATION

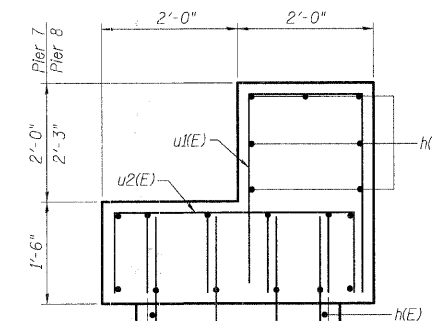


FOOTING PLAN

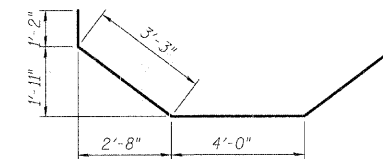
12" Metal Shell Pile with pile shoe, typ.



SECTION A-A



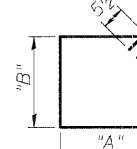
SECTION B-B



BAR u(E)



BAR n(E)



BAR p(E)

BARS s(E), s1(E) & s2(E)

A & B DIMENSIONS

Bar	"A"	"B"
s(E)	3'-6"	2'-6"
s1(E)	3'-6"	1'-3"
s2(E)	1'-1"	2'-6"

BARS u1(E), u2(E) & u3(E)

A & B DIMENSIONS

Bar	"A"	"B"
u1(E)	1'-6"	3'-2"
u2(E)	3'-6"	1'-2"
u3(E)	3'-6"	3'-4"



Robert H. Anderson & Associates, Inc.
 Consulting Engineers
 License No. 184-005281

PIERS 7 AND 8

PEDESTRIAN BRIDGE OVER RANDALL ROAD
 AT SILVER GLEN ROAD
 FAU 2505, SECTION 94-P4008-01-BR
 KANE COUNTY
 STRUCTURE NO. 045-9000

DATE: OCTOBER 31, 2008

ROUTE NO.	SECTION	COUNTY	TOTAL SHEETS	SHEET NO.	SHEET NO. S-31
FAU 2505	94-P4008-01-BR	KANE	81	55	S-42 SHEETS
FED. ROAD DIST. NO. 7	SUB. INCHES	FED. AID PROJECT-			

Contract #83984

BILL OF MATERIAL

(Piers 7 & 8)

Bar	No.	Size	Length	Shape
h(E)	34	#5	9'-6"	—
n(E)	60	#8	7'-5"	—
p(E)	8	#7	11'-10"	—
s(E)	40	#5	12'-11"	□
s1(E)	40	#5	10'-5"	□
s2(E)	40	#5	8'-1"	□
t(E)	44	#8	7'-2"	—
u(E)	8	#7	12'-10"	—
u1(E)	28	#5	7'-10"	□
u2(E)	28	#6	5'-10"	□
u3(E)	12	#6	10'-2"	□
v(E)	60	#8	23'-4"	—
w(E)	32	#8	9'-8"	—
Structure Excavation			Cu. Yd.	54
Concrete Structures			Cu. Yd.	45.5
Reinforcement Bars, Epoxy Coated			Pound	9,300
Furnishing Metal Shell Piles 12" dia. x 0.250 in.			Foot	495
Driving Piles			Foot	495
Test Pile Metal Shells			Each	1
Pile Shoes			Each	12
Form Liner Textured Surface			Sq. Ft.	668
Staining Concrete Structures			Sq. Yd.	74
Concrete Sealer			Sq. Ft.	123