

Contract #83984

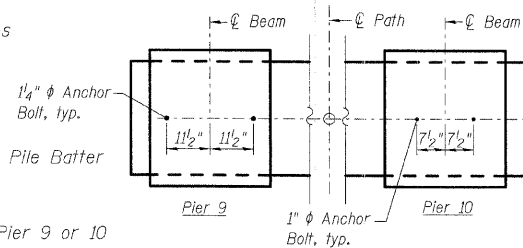
BILL OF MATERIAL
(Piers 9 & 10)

Bar	No.	Size	Length	Shape
h(E)	20	#5	9'-6"	—
h1(E)	24	#4	2'-5"	—
n(E)	40	#8	7'-5"	—
p(E)	8	#7	11'-10"	—
s4(E)	28	#5	11'-11"	□
s5(E)	28	#5	10'-5"	□
s6(E)	28	#5	7'-1"	□
t(E)	40	#8	7'-2"	—
u(E)	8	#7	12'-10"	—
u1(E)	28	#6	4'-4"	□
u2(E)	20	#5	9'-8"	□
u3(E)	12	#5	5'-4"	□
v1(E)	20	#8	21'-0"	—
v2(E)	20	#8	12'-10"	—
w(E)	32	#8	8'-8"	—
Structure Excavation			Cu. Yd.	45
Concrete Structures			Cu. Yd.	29.2
Reinforcement Bars, Epoxy Coated			Pound	6,060
Furnishing Metal Shell Piles 12" dia. x 0.250 in.			Foot	315
Driving Piles			Foot	315
Test Pile Metal Shells			Each	1
Pile Shoes			Each	8
Form Liner Textured Surface			Sq. Ft.	452
Staining Concrete Structures			Sq. Yd.	50

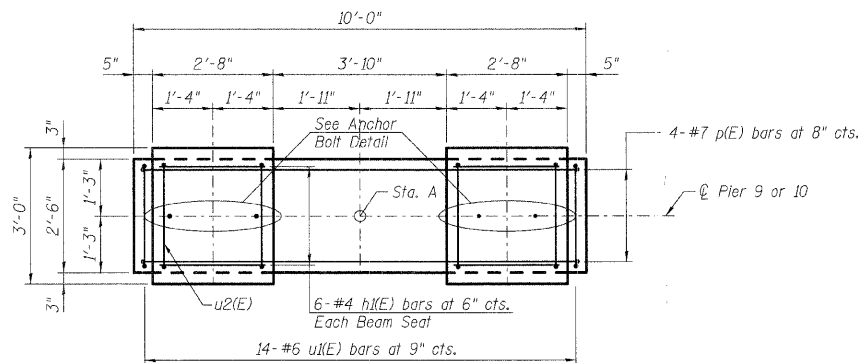
PILE DATA

Type & Size: Metal Shell - 12 in. dia. x 0.250 in. walls w/ pile shoes
Nominal Required Bearing: 330 kips
Allowable Resistance Available: 110 kips
Est. Length: 45 ft.
No. Production Piles: 7
No. Test Piles: 1 (Pier 10)

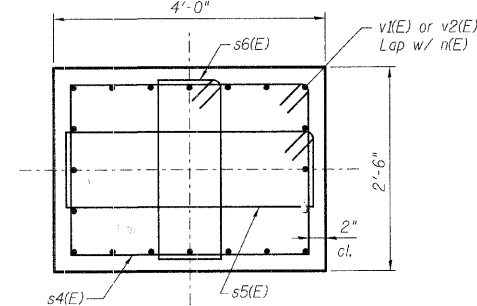
Indicates direction of 12V:2H Pile Batter



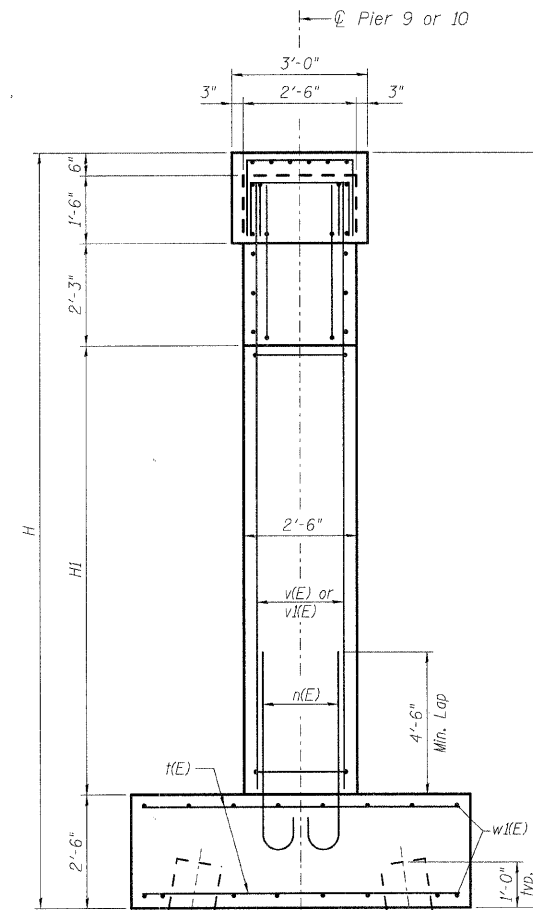
ANCHOR BOLT DETAIL



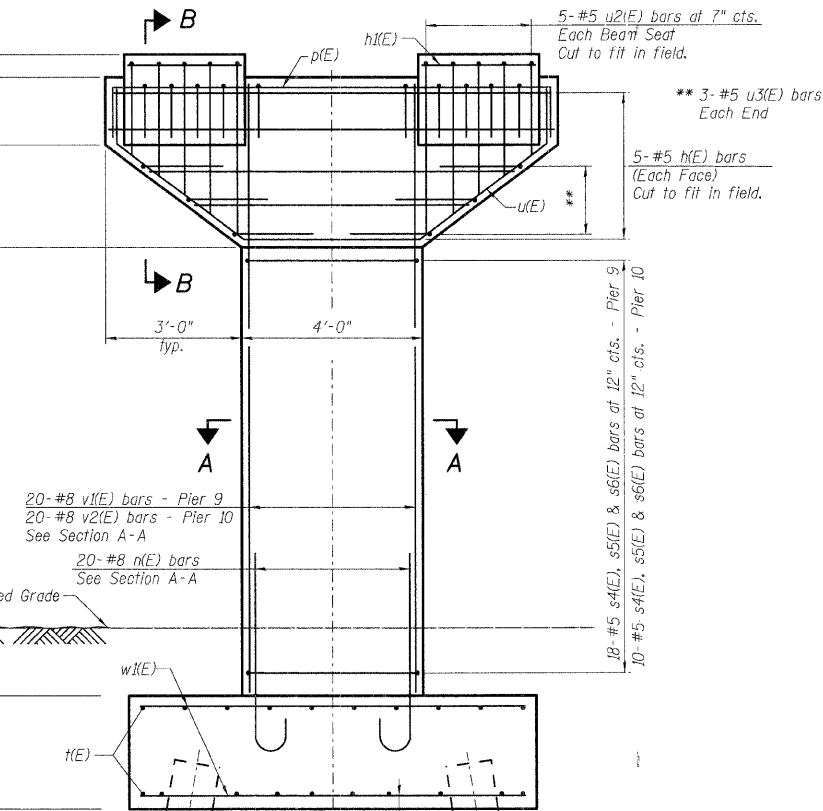
TOP PLAN



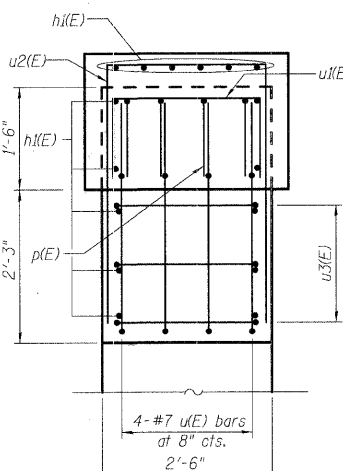
SECTION A-A



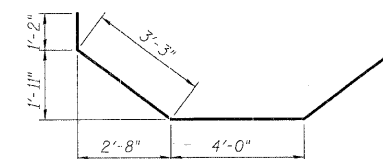
Elev. A



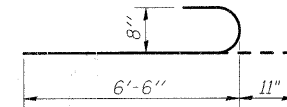
ELEVATION
(Looking East)



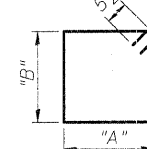
SECTION B-B



BAR u(E)



BAR n(E)



BARS s4(E), s5(E) & s6(E)

A & B DIMENSIONS

Bar	"A"	"B"
s4(E)	3'-6"	2'-0"
s5(E)	3'-6"	1'-3"
s6(E)	1'-1"	2'-0"

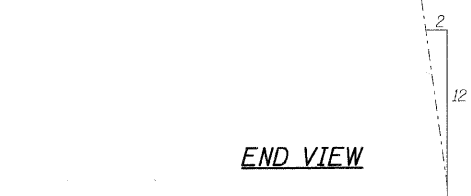
NOTES:

Space reinforcement in cap to miss anchor bolts.
Pour steps monolithically with Pier.
See Sheet S-37 for Architectural Details.

A & B DIMENSIONS

Bar	"A"	"B"
u1(E)	2'-0"	1'-2"
u2(E)	2'-0"	3'-10"
u3(E)	2'-0"	1'-8"

BARS u1(E), u2(E) & u3(E)

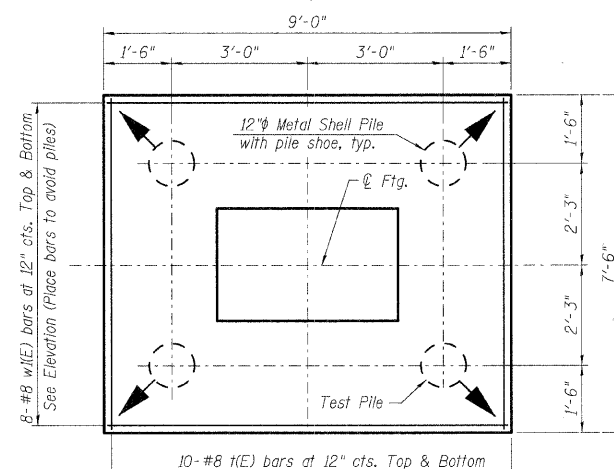


END VIEW

PIER TABLE

PIER NO.	STATION A	ELEV. A	ELEV. B	H (FT)	H1 (FT)
9	21+47.40	826.82	802.50	24.32	17.57
10	22+26.40	822.98	806.75	16.23	9.48

DESIGNED	MJD
CHECKED	AEU
DRAWN	MJD
CHECKED	AEU



FOOTING PLAN

PIERS 9 AND 10

PEDESTRIAN BRIDGE OVER RANDALL ROAD
AT SILVER GLEN ROAD
FAU 2505, SECTION 94-P4008-01-BR
KANE COUNTY
STRUCTURE NO. 045-9000



Robert H. Anderson & Associates, Inc.
Consulting Engineers
License No. 184-005281

DATE: OCTOBER 31, 2008