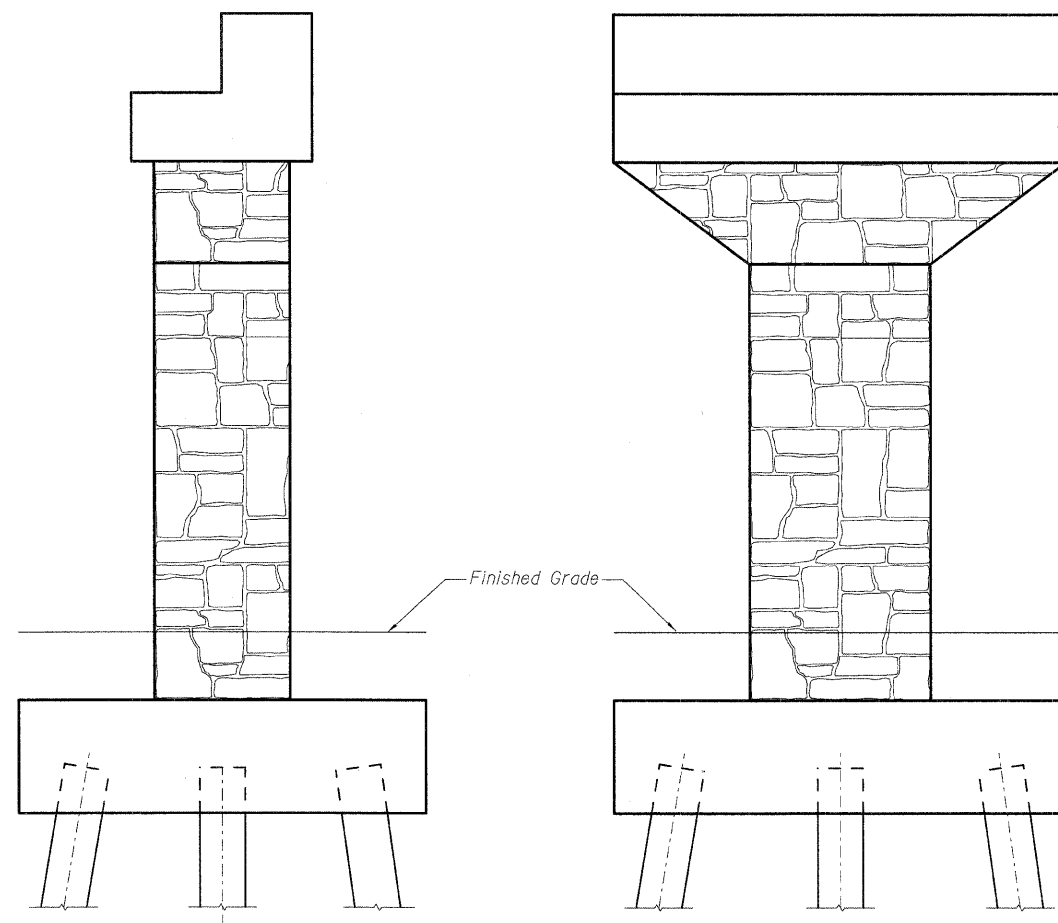


ROUTE NO.	SECTION	COUNTY	TOTAL SHEETS	SHEET NO.	SHEET NO. S-37 S-42 SHEETS
FAU 2505	94-P4008-01-BR	KANE	81	61	
FED. ROAD DIST. NO. 7	ILLINOIS	FED. AID PROJECT-			

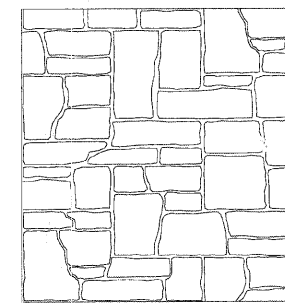
Contract #83984



END VIEW

ELEVATION

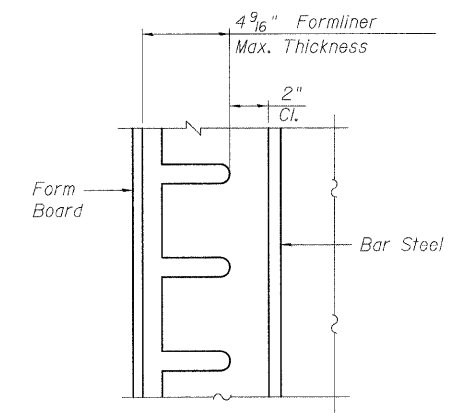
TYPICAL PIER



RUSTIC ASHLAR

(Custom Rock International - Rustic Ashlar #1103)

- Maximum Relief = 1 1/4"
- Average Relief = 1"
- Linear Thickness = 2 3/8"
- Stone Size = 8" TO 25"



SECTION THRU FORMLINER

FORMLINER DETAIL

NOTES:

Architectural concrete surface treatment as shown is applicable to exterior surfaces of cast-in-place concrete for Piers and MSE walls respectively.

The clear concrete cover shown to the bars nearest to the concrete surface shall be maintained.

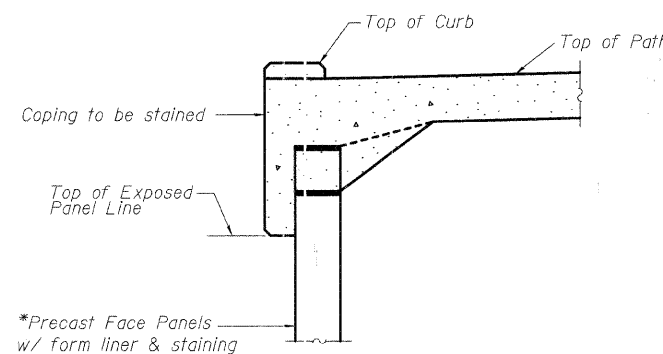
Form liner surface treatment shall be the Rustic Ashlar Pattern #1103 manufactured by Custom Rock International or approved equal.

Form liner surface treatment shall be paid for in square feet as "Form Liner Textured Surface".

The color for Staining Concrete Structures is Base Color 33446 (Medium Tan) from the Federal Color Standard 595B. The owner reserves the right to select other form liner and stain colors. The Contractor shall submit test samples of form liner and stain colors for acceptance to the Owner before ordering any materials. Provide a concrete test panel 4'x4' with the form liner and stained selected by the Owner for final selection of form liner and stain colors.

See special provision for Form Liner Textured Surface.

See special provision for Staining Concrete Structures.



PARTIAL SECTION THRU MSE WALL

*Paid for by pay item Mechanically Stabilized Earth Retaining Wall

DESIGNED	MJD
CHECKED	AEU
DRAWN	MJD
CHECKED	AEU

RH&A

Robert H. Anderson & Associates, Inc.
Consulting Engineers
License No. 184-005281

ARCHITECTURAL DETAILS

PEDESTRIAN BRIDGE OVER RANDALL ROAD
AT SILVER GLEN ROAD
FAU 2505, SECTION 94-P4008-01-BR
KANE COUNTY
STRUCTURE NO. 045-9000

DATE: OCTOBER 31, 2008