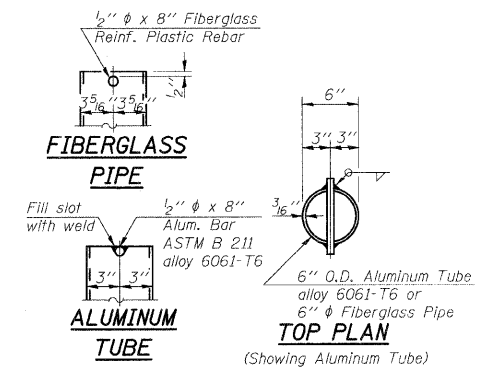
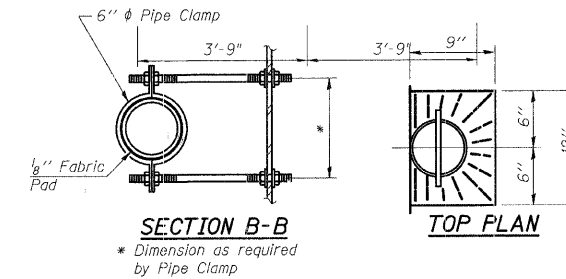
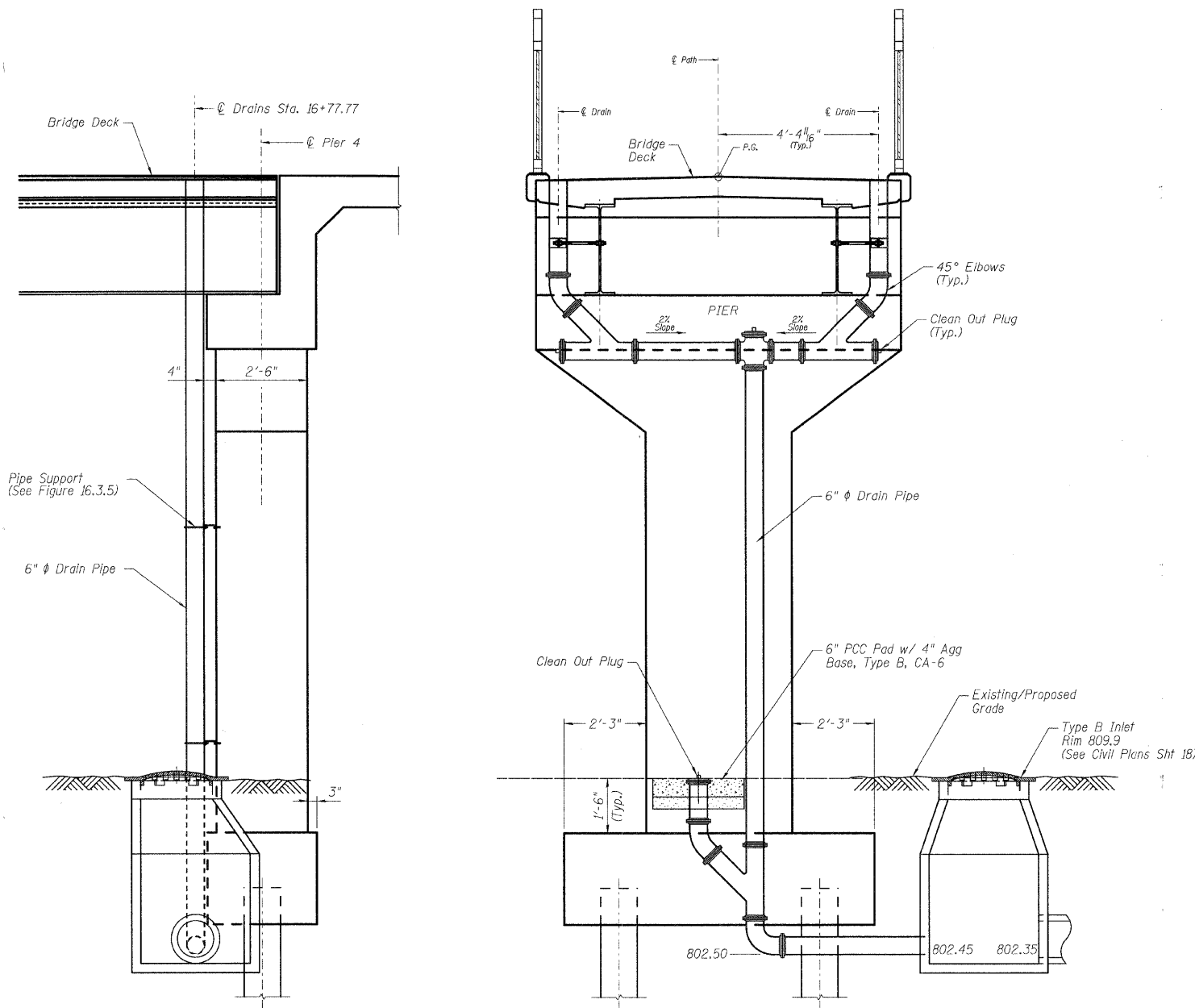
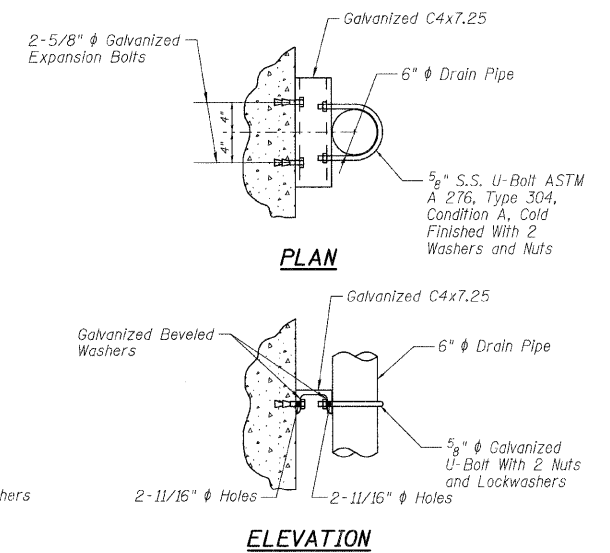
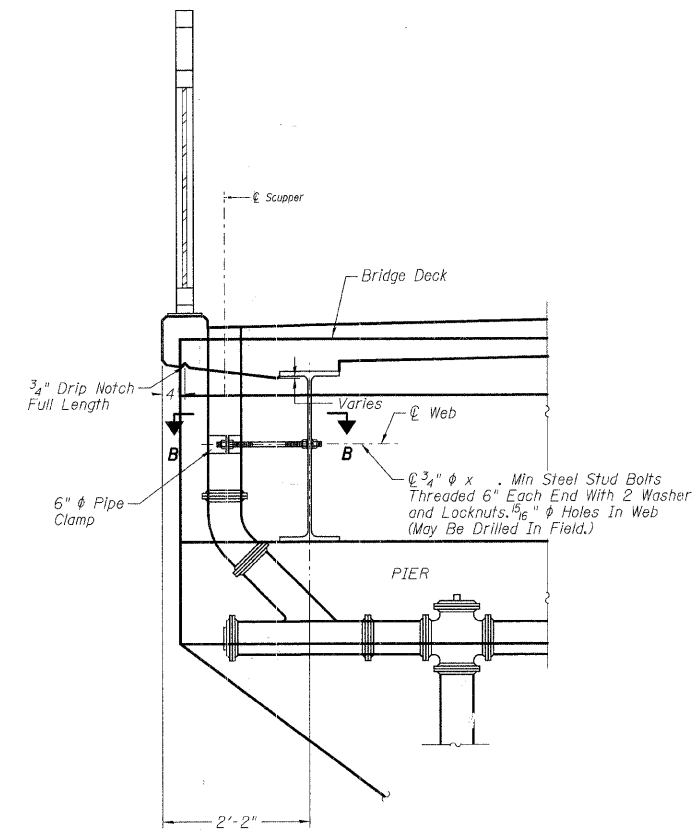


Contract #83984



Notes:
The exterior surfaces of the floor drains shall be painted with the finish coat as specified in the special provisions for Cleaning and Painting New Metal Structures. The exterior surfaces of the drains shall be cleaned according to Steel Structures Painting Council's Spec. SSPC-SP1 prior to painting.
Fiberglass pipe shall conform to ASTM D 2996, with short-time rupture strength hoop tensile stress of 30,000 p.s.i. minimum.



DRAIN PIPE SUPPORT DETAILS

Figure 16.3.5

BILL OF MATERIAL

Item	Quantity	Unit
Bridge Drainage System	1	Ea

DESIGNED	MJD
CHECKED	AEU
DRAWN	MJD
CHECKED	AEU

RHA&A

Robert H. Anderson & Associates, Inc.
Consulting Engineers
License No. 184-005281

DECK DRAIN DETAILS

PEDESTRIAN BRIDGE OVER RANDALL ROAD
AT SILVER GLEN ROAD
FAU 2505, SECTION 94-P4008-01-BR
KANE COUNTY
STRUCTURE NO. 045-9000

DATE: OCTOBER 31, 2008