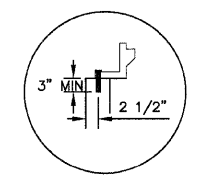
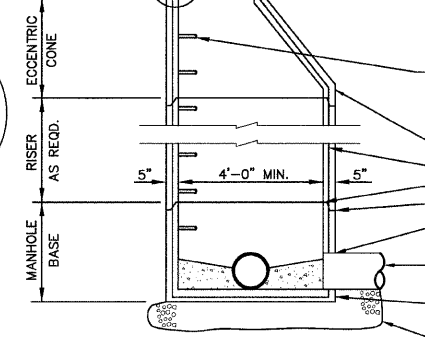


ANCHOR BOLTS TO BE 1" DIA THREADED ROD W/WASHER & NUT, FASTENED TO MANHOLE BY 2 PART FAST CURING EPOXY ADHESIVE. PROVIDE AND INSTALL (5) EACH FOR EACH SEALED MANHOLE

ANCHORS REQUIRED FOR SEALED MANHOLES OR MANHOLES IN ROCK ROAD AREAS ONLY



ANCHOR DETAIL



MANHOLE SPECIAL NO. 1
NOT TO SCALE

WITH CONCEALED FITTINGS

SEAL FRAME TO CONCRETE 3" WIDE WITH PREFORMED PLASTIC GASKET MEETING ASTM C990 STD. SPECS.

STANDARD MANHOLES: ADJUST TO GRADE WITH PRECAST CONCRETE RINGS. NO MORE THAN 1'-0" OF ADJUSTMENT RINGS WILL BE ALLOWED.

SEALED MANHOLES: ADJUSTING RINGS NOT ALLOWED ON SEALED MANHOLES. FINISH ELEVATION OF MANHOLE RIM SHALL BE AT A MINIMUM OF GRADE SHOWN ON PLAN AND PROFILE SHEET OR UP TO 6" ABOVE DEPENDING ON STANDARD MANHOLE RISER DIMENSIONS.

MANHOLE STEPS TO BE UNIFORMLY SPACED AT MAX. 16" O.C. TOP STEP MAX. 18" FROM TOP OF CONCRETE BOTTOM STEP MAX. 24" ABOVE THE SPRINGLINE OF THE LARGEST PIPE

BELL & SPIGOT REINFORCEMENT

WELDED WIRE FABRIC REINFORCING

1" WIDE PREFORMED PLASTIC GASKET MEETING ASTM C990 STD. SPECS.

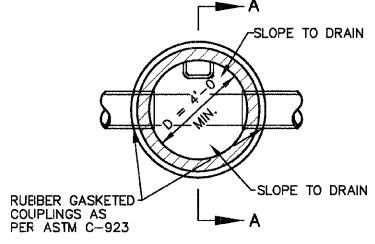
3" WIDE PREFORMED PLASTIC GASKET MEETING ASTM C990 STD. SPECS.

CONNECTION OF PIPE TO MANHOLE WITH GASKET

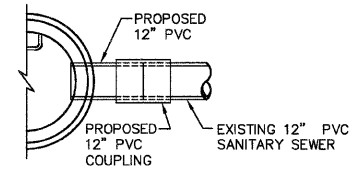
SANITARY SEWER PIPE

PRE-CAST MANHOLE BASE WITH PRE-FORMED INVERTS

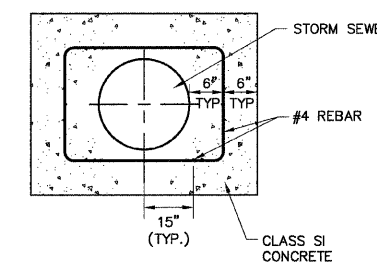
6" CA-6 COMPACTED GRANULAR MATERIAL SHALL BE PLACED ON SOLID, UNDISTURBED EARTH. IF OVEREXCAVATION OCCURS, FILL WITH COMPACTED CA-6. NOT EARTH



SECTIONAL PLAN

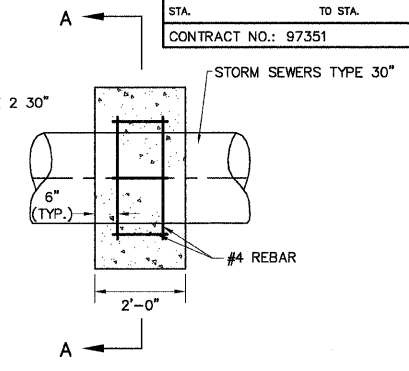


TYPICAL SANITARY SEWER CONNECTION DETAIL
NO SCALE



SECTION A-A

CONCRETE ANCHOR COLLAR DETAIL
NOT TO SCALE

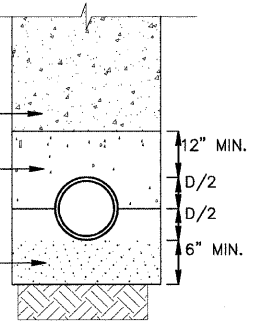


ELEVATION

FINAL BACKFILL
BELOW PAVED AREAS, AND WHERE NOTED AS TRENCH BACKFILL, THE FINAL BACKFILL SHALL BE SELECT GRANULAR MATERIAL (IDOT, CA-6) COMPACTED IN UNIFORM LAYERS NOT TO EXCEED 6" (LOOSE MEASURE). FOR REMAINING AREAS USE EARTH BACKFILL COMPACTED IN UNIFORM LAYERS NOT TO EXCEED 8" THICK (LOOSE MEASURE).

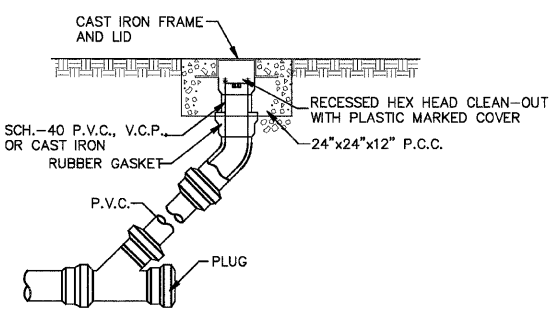
INITIAL BACKFILL
ASTM 2321-CLASS 1A GRANULAR BACKFILL 1/4" TO 1-1/2" CRUSH STONE GRADATION(CA-6)

BEDDING MATERIAL
ASTM 2321-CLASS 1A GRANULAR BEDDING 1/4" TO 1-1/2" CRUSH STONE GRADATION(CA-6)



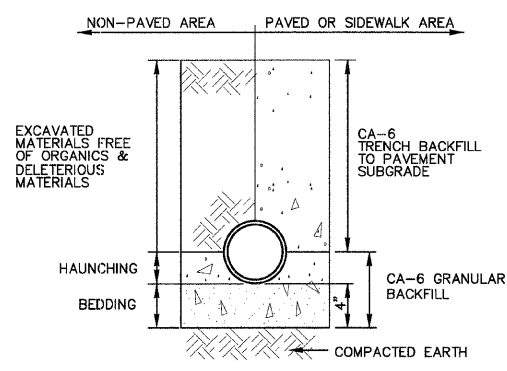
SANITARY SEWER

TYPICAL TRENCH DETAIL
NO SCALE

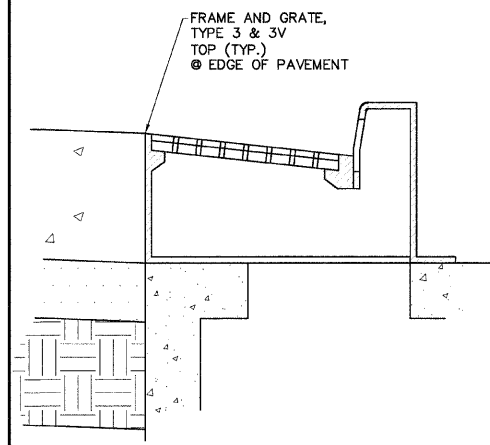


IN GRASS AREA

SANITARY SEWER CLEANOUT DETAIL
NOT TO SCALE

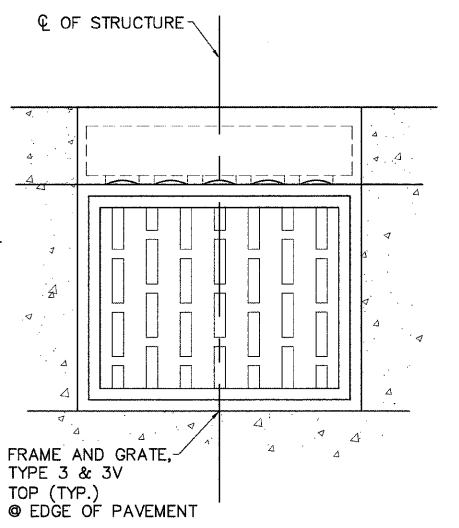


STORM SEWER TRENCH DETAIL
NOT TO SCALE

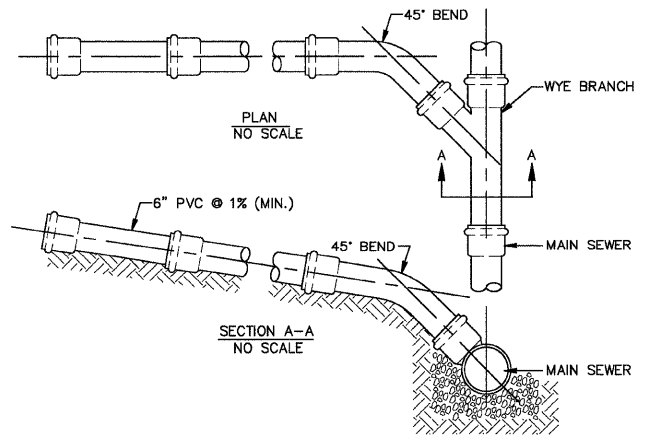


SECTIONAL VIEW

INLET GEOMETRY
NOT TO SCALE



PLAN



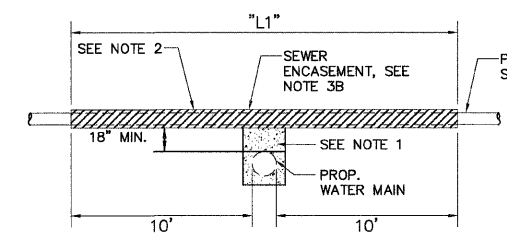
PLAN
NO SCALE

SECTION A-A
NO SCALE

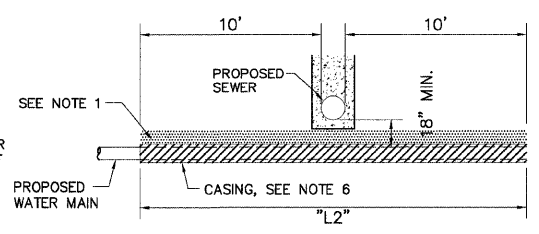
SANITARY SEWER SERVICE CONNECTION DETAIL
NOT TO SCALE

- NOTES:
1. THE SANITARY SEWER CONTRACTOR SHALL BE RESPONSIBLE FOR SUBMITTING A COMPLETE AS-BUILT RECORD DRAWING OF ALL SANITARY SEWER WORK TO VILLAGE OF BETHALTO PRIOR TO ANY ACCEPTANCE OF THE SANITARY SEWER SYSTEM BY THE VILLAGE. COST FOR AS-BUILT RECORD DRAWINGS TO BE INCIDENTAL TO UNIT PRICE FOR SANITARY SEWER MAIN.
 2. SANITARY SEWER CONTRACTOR SHALL BE RESPONSIBLE FOR PROVIDING AIR & DEFLECTION TESTING OF THE PROPOSED SANITARY SEWER IN ACCORDANCE WITH THE "STANDARD SPECIFICATIONS FOR WATER AND SEWER MAIN CONSTRUCTION IN ILLINOIS" AND VILLAGE OF BETHALTO.
 3. ALL SANITARY MANHOLES SHALL CONFORM TO ASTM 6478. MANHOLES SHALL HAVE STEPS CONSTRUCTED OF 1/2" DEFORMED REINFORCING RODS (GRADE 60) CONFORMING TO ASTM A 615 ENCAPSULATED IN CO-POLYMER POLYPROPYLENE.
 4. CASING AT SEWER MAIN CROSSINGS SHALL BE AS FOLLOWS:
 - A. FOR 10 FEET BOTH SIDES OF CROSSING PERPENDICULAR TO WATER MAIN, ENCASE SEWER MAIN IN WATER MAIN MATERIAL OR
 - B. FOR 10 FEET BOTH SIDES OF CROSSING PERPENDICULAR TO WATER MAIN, ENCASE WATER MAIN WITH WATER MAIN MATERIAL.

- NOTES:
1. IF SELECT GRANULAR BACKFILL EXISTS: REMOVE WITHIN WIDTH OF PROPOSED SEWER TRENCH AND REPLACE WITH SELECT EXCAVATED MATERIAL AND COMPACT.
 2. OMIT SELECT GRANULAR EMBEDMENT AND GRANULAR BACKFILL TO ONE (1) FOOT OVER TOP OF SEWER AND USE SELECT EXCAVATED MATERIAL AND COMPACT THE LENGTH OF "L1" FEET.
 3. A. CONSTRUCT "L1" FEET OF PROPOSED SEWER OF WATER MAIN MATERIAL AND PRESSURE TEST, OR; B. USE "L1" FEET OF WATER MAIN MATERIAL FOR CASING OF PROPOSED SEWER AND SEAL ENDS OF CASING.
 4. OMIT SELECT GRANULAR EMBEDMENT AND GRANULAR BACKFILL TO ONE (1) FOOT OVER TOP OF WATER MAIN AND USE SELECT EXCAVATED MATERIAL AND COMPACT THE LENGTH OF "L2".
 5. PROVIDE ADEQUATE SUPPORT FOR SEWER LINE TO PREVENT DAMAGE DUE TO SETTLEMENT.
 6. USE "L2" FEET OF 16" PVC WATER MAIN MATERIAL FOR CASING OF PROPOSED WATER MAIN AND SEAL ENDS OF CASING.

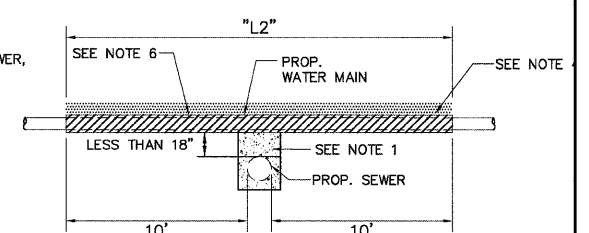


SEWER ENCASEMENT



WATER MAIN ENCASEMENT

WATER AND SEWER ENCASEMENT
NOT TO SCALE



WATER MAIN ENCASEMENT

* POINT LOADS SHALL NOT BE ALLOWED BETWEEN WATER MAIN CASING AND SEWER

REVISIONS	
NAME	DATE

ILLINOIS DEPARTMENT OF TRANSPORTATION

MISCELLANEOUS DETAILS

FAU ROUTE 8959
SECTION 05-00016-03-BR
COUNTY MADISON

DRAWN BY: R.A.W.